

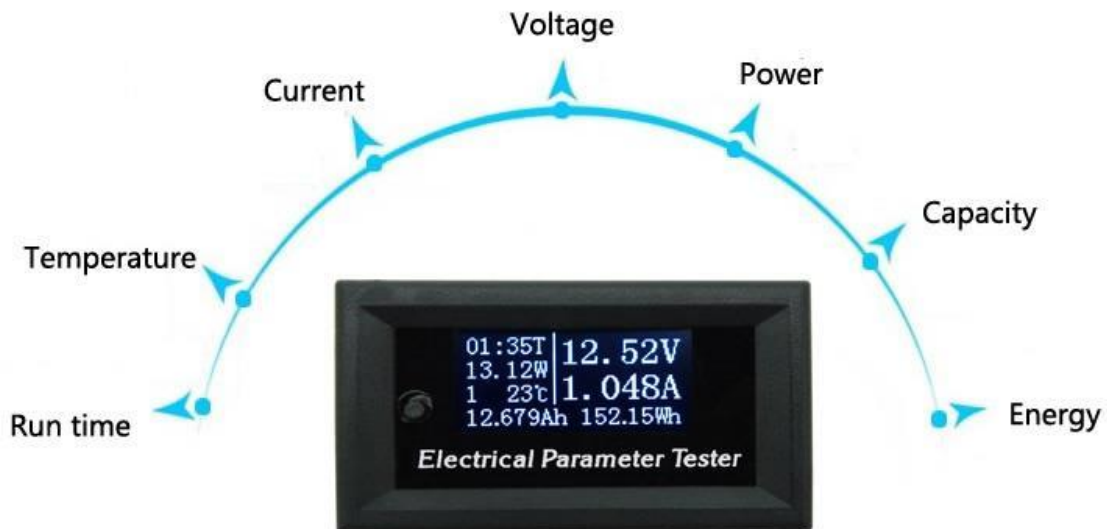
# OLED display energy tester



Measure dc voltage and current range

0~100V / 0~10A

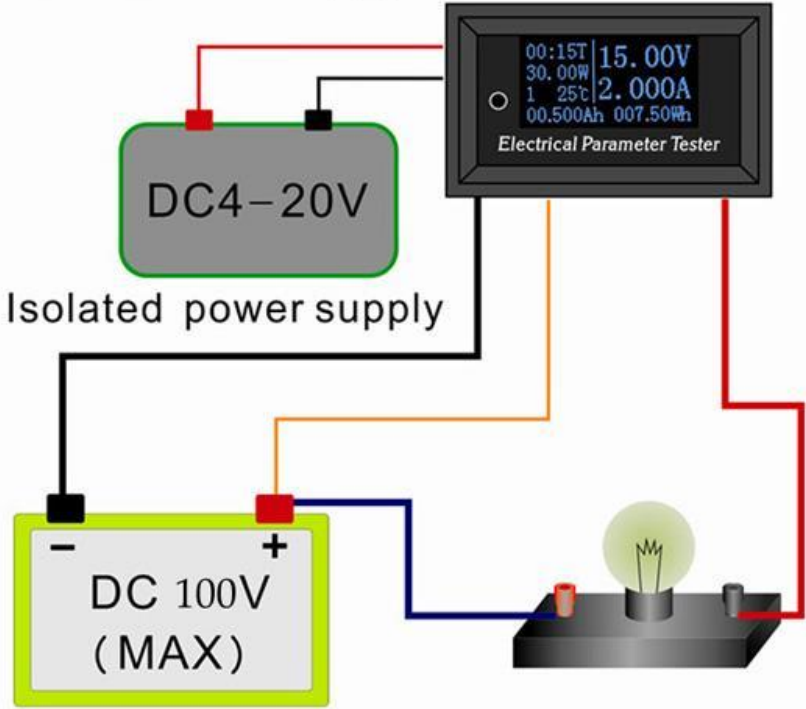
# Multiple functions energy tester



Measure dc voltage and current range

DC: 0~100V / 0~10A

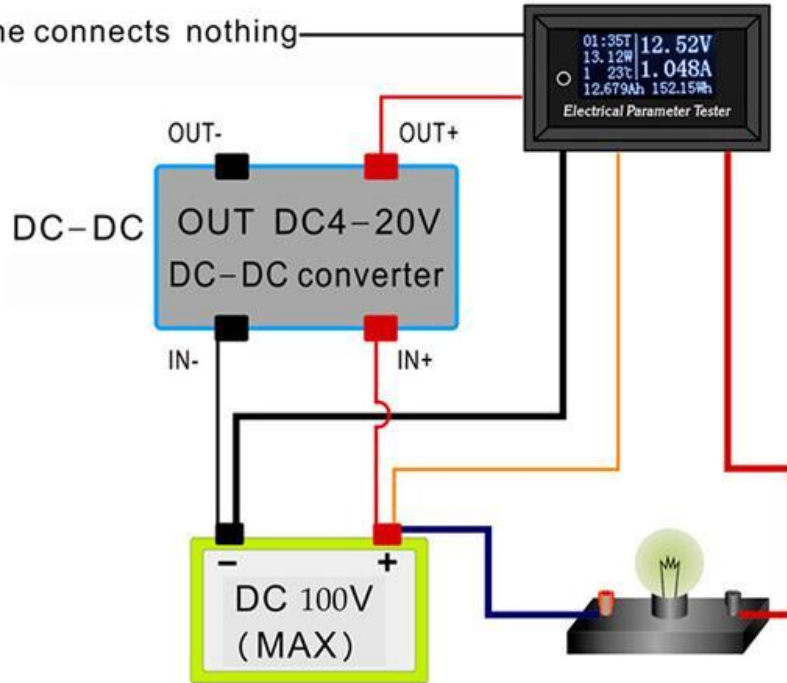
Using Isolated Power Supply



The two power supplies must be isolated and don't connect any load. The highest voltage of isolated power supply is 20V.

## Using DC-DC converter to power supply

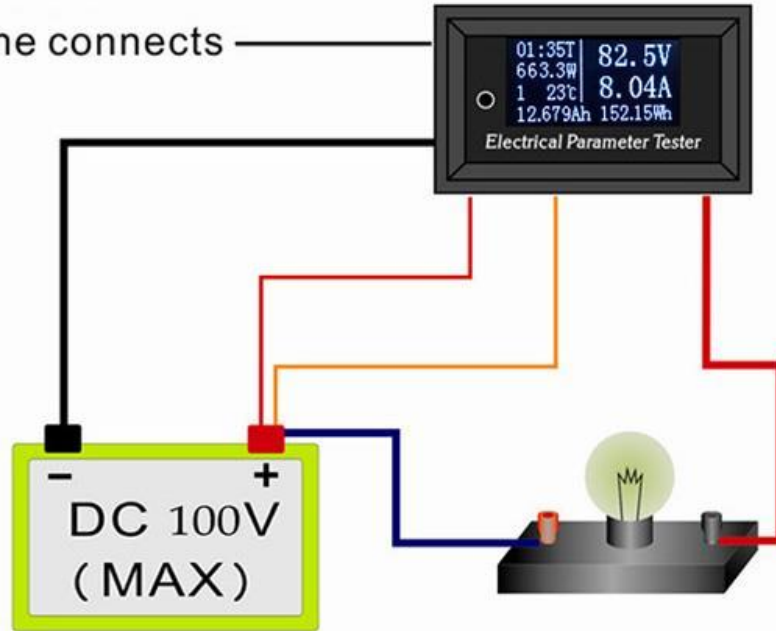
Black thin line connects nothing



The black thin wire connects nothing and you should use insulator to wrap it to avoid short circuit. The DC-DC converter must be common cathode structure.

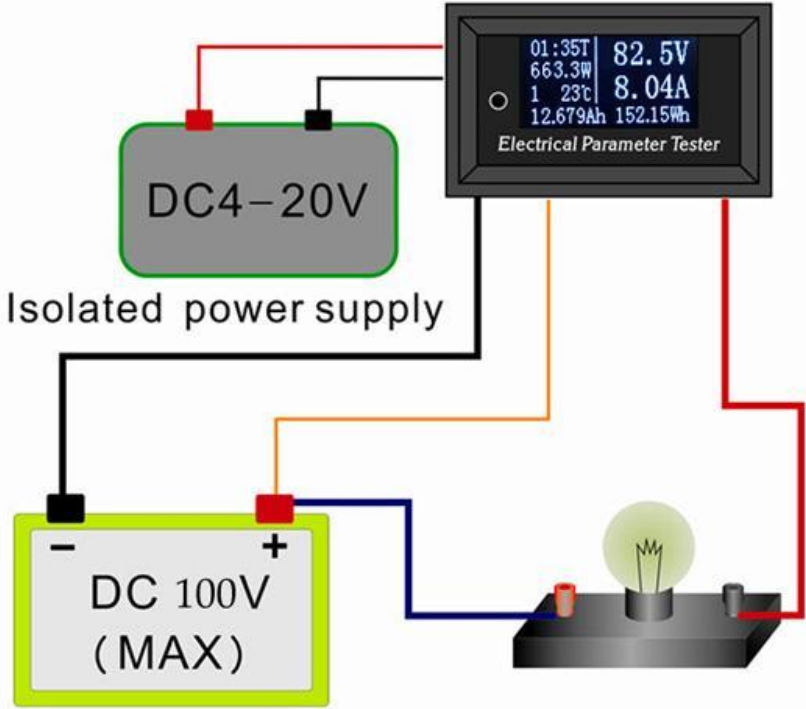
## Using system to power supply

Black thin line connects nothing



The black thin wire connects nothing and you should use insulator wrap it to avoid short circuit.

Using Isolated Power Supply



The two power supplies must be isolated and don't connect any load. The highest voltage of isolated power supply is 20V.



### Display Interface Instruction



- ① Run time
- ② Power display
- ③ Data set
- ④ Temperature display
- ⑤ Capacity display
- ⑥ Voltage display
- ⑦ Current display
- ⑧ Energy display

### Technical Parameter

型号 Model	33V3A	33V10A	100V10A
电压测量范围Voltage measurement range	DC00.00-33.00V	DC00.00-33.00V	DC00.0-99.9V
电流测量范围Current measurement range	0.000-3.000A	0.00-9.99A	0.00-9.99A
功率测量范围Power measurement range	00.00-99.00W	00.00-99.99W -330.0W	00.00-99.99W -999.9W
能量测量范围Energy measurement range	0-999.99Wh	0-3300.0Wh	0-9999.9Wh
电压测量精度Voltage measurement accuracy	±(0.3%+2个字) ±(0.3% + 2digits)	±(0.3%+2个字) ±(0.3% + 2digits)	±(0.5%+1个字) ±(0.5% + 1digit)
电流测量精度Current measurement accuracy	±(0.8%+3个字) ±(0.8% + 3digits)	±(1%+2个字) ±(1% + 2digits)	±(1%+2个字) ±(1% + 2digits)
容量测量范围Capacity measurement range	00.00-99.999Ah		
时间测量范围(Time measurement range):	0-99h59min		
温度测量范围(Temperature measurement range):	-15°C~60°C		
产品重量(Product weight):	19g	产品尺寸(Product size):	48mmX29mmX22mm

### Button Function Instruction

In the display interface,click the button to switch data set;keep pressing button to clear the accumulated data to zero.

The component aging and temperature variation after long-term use may appear tiny error when it measures small current.To avoid this error,you can unplug the current wire socket and keep pressing the button to connect power supply, until the screen display “AAA” , then loose button.



**Please ensure proper wiring in strict accordance with the wiring diagram.**