

August 1997

BCD to Seven Segment Decoder/Driver

Features

- TTL Compatible Input Logic Levels
- 25mA (Typ) Constant Current Segment Outputs
- Eliminates Need for Output Current Limiting Resistors
- Pin Compatible with Other Industry Standard Decoders
- Low Standby Power Dissipation 18mW (Typ)

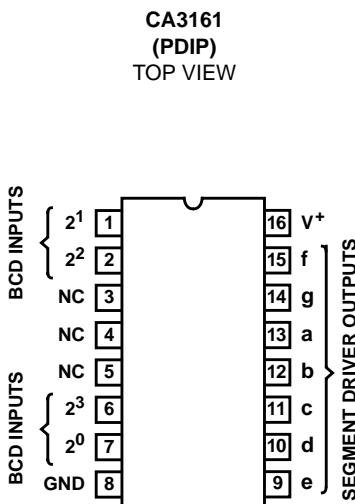
Description

The CA3161E is a monolithic integrated circuit that performs the BCD to seven segment decoding function and features constant current segment drivers. When used with the CA3162E A/D Converter the CA3161E provides a complete digital readout system with a minimum number of external parts.

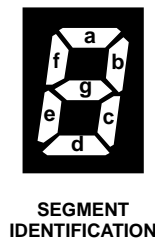
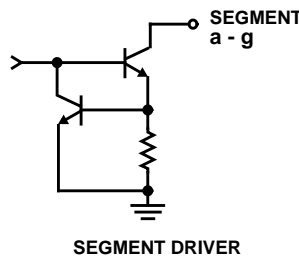
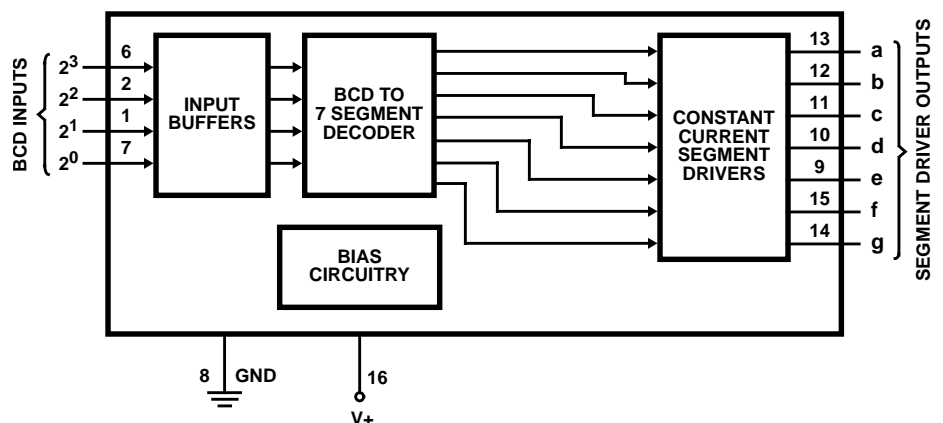
Ordering Information

PART NUMBER	TEMP. RANGE (°C)	PACKAGE	PKG. NO.
CA3161E	0 to 70	16 Ld PDIP	E16.3

Pinout



Functional Block Diagram



CA3161

Absolute Maximum Ratings

DC V_{SUPPLY} (Between Terminals 1 and 10)	+7.0V
Input Voltage (Terminals 1, 2, 6, 7)	+5.5V
Output Voltage	
Output "Off"	+7V
Output "On" (Note 1)	+10V

Thermal Information

Thermal Resistance (Typical, Note 2)	θ_{JA} ($^{\circ}C/W$)
PDIP Package	100
Maximum Junction Temperature	150 $^{\circ}C$
Maximum Storage Temperature Range	-65 $^{\circ}C$ to 150 $^{\circ}C$
Maximum Lead Temperature (Soldering 10s)	300 $^{\circ}C$

Operating Conditions

Temperature Range 0 $^{\circ}C$ to 75 $^{\circ}C$

CAUTION: Stresses above those listed in "Absolute Maximum Ratings" may cause permanent damage to the device. This is a stress only rating and operation of the device at these or any other conditions above those indicated in the operational sections of this specification is not implied.

NOTES:

1. This is the maximum output voltage for any single output. The output voltage must be consistent with the maximum dissipation and derating curve for worst case conditions. Example: All segments "ON", 100% duty cycle.
2. θ_{JA} is measured with the component mounted on an evaluation PC board in free air.

Electrical Specifications $T_A = 25^{\circ}C$

PARAMETER	TEST CONDITIONS	MIN	TYP	MAX	UNITS
V_{SUPPLY} Operating Range, V^+		4.5	5	5.5	V
Supply Current, I^+ (All Inputs High)		-	3.5	8	mA
Output Current Low ($V_O = 2V$)		18	25	32	mA
Output Current High ($V_O = 5.5V$)		-	-	250	μA
Input Voltage High (Logic "1" Level)		2	-	-	V
Input Voltage Low (Logic "0" Level)		-	-	0.8	V
Input Current High (Logic "1")	2V	-30	-	-	μA
Input Current Low (Logic "0")	0V	-40	-	-	μA
Propagation Delay Time,	t_{PHL}	-	2.6	-	μs
	t_{PLH}	-	1.4	-	μs

CA3161

TRUTH TABLE

BINARY STATE	INPUTS				OUTPUTS								DISPLAY
	2 ³	2 ²	2 ¹	2 ⁰	a	b	c	d	e	f	g		
0	L	L	L	L	L	L	L	L	L	L	L	H	0
1	L	L	L	H	H	L	L	H	H	H	H	H	1
2	L	L	H	L	L	L	H	L	L	L	H	L	2
3	L	L	H	H	L	L	L	L	H	H	H	L	3
4	L	H	L	L	H	L	L	H	H	L	L	L	4
5	L	H	L	H	L	H	L	L	H	L	L	L	5
6	L	H	H	L	L	H	L	L	L	L	L	L	6
7	L	H	H	H	L	L	L	H	H	H	H	H	7
8	H	L	L	L	L	L	L	L	L	L	L	L	8
9	H	L	L	H	L	L	L	L	H	L	L	L	9
10	H	L	H	L	H	H	H	H	H	H	H	L	-
11	H	L	H	H	L	H	H	L	L	L	L	L	E
12	H	H	L	L	H	L	L	H	L	L	L	L	H
13	H	H	L	H	H	H	H	L	L	L	L	H	L
14	H	H	H	L	L	L	H	H	L	L	L	L	P
15	H	H	H	H	H	H	H	H	H	H	H	H	BLANK

All Intersil semiconductor products are manufactured, assembled and tested under **ISO9000** quality systems certification.

Intersil products are sold by description only. Intersil Corporation reserves the right to make changes in circuit design and/or specifications at any time without notice. Accordingly, the reader is cautioned to verify that data sheets are current before placing orders. Information furnished by Intersil is believed to be accurate and reliable. However, no responsibility is assumed by Intersil or its subsidiaries for its use; nor for any infringements of patents or other rights of third parties which may result from its use. No license is granted by implication or otherwise under any patent or patent rights of Intersil or its subsidiaries.

For information regarding Intersil Corporation and its products, see web site <http://www.intersil.com>

Sales Office Headquarters

NORTH AMERICA

Intersil Corporation
P. O. Box 883, Mail Stop 53-204
Melbourne, FL 32902
TEL: (407) 724-7000
FAX: (407) 724-7240

EUROPE

Intersil SA
Mercure Center
100, Rue de la Fusee
1130 Brussels, Belgium
TEL: (32) 2.724.2111
FAX: (32) 2.724.22.05

ASIA

Intersil (Taiwan) Ltd.
Taiwan Limited
7F-6, No. 101 Fu Hsing North Road
Taipei, Taiwan
Republic of China
TEL: (886) 2 2716 9310
FAX: (886) 2 2715 3029