

Thank you for purchasing this AHD camera and CCD camera detector. before you use this product,

Please read the instructions, it will let you enjoy various features of the machine for your Use with ease.

### **Safety warning:**

- Do not expose this product to rain or moisture . To avoid product failures.
- Do not use thinner or other chemical cleaning wipe this machine;
- Only use the specified car cigarette lighter power supply ;or use a standard 5v 1A power supply, so as not to cause serious damage to the product;
- Tip of low voltage ,please charge the battery ; (low power may lead CCD camera is not working properly)
- When not using this product ,please turn off the power;
- Any failures to present the steps of the operation manual or modifications may cause this Product cannot used or permanent damage .

### **Caution**

#### **Common notice**

- Do not disassemble this device by yourself . Please contact with the dealer for repair service.

#### **Remove from wateriness**

- This product is non-waterproof . Please avoid any liquid filtering into this product and exposing wateriness.

#### **Temperature caution**

1. Do not put product nearby heat device or heat sourcing. High

temperature might cause damage to this product.

2. Please operate in environment of temperature between 0-60°C.

3. Please do not shift product from environment of low temperature change of temperature would cause damage to product.

### **Caution before use**

Before using product. Please read instruction and check the recharge operating.

### **Features:**

- Best system equipment for installing and inspecting engineering. built-in Li battery; video-in terminal and DC power supply. Palm size, easy to carry and operate.
- Through DC power out enables user to inspect; correct camera or confirm installation. It' s convenient for video equipment that helps communication and discussion with clients during installation process.
- With ADSL Detection Function

### **Application:**

★ Monitor: camera quality inspecting; image of installation correcting; inspect and repair of monitor system circuit.....etc.

Introduction of product;

### **Standard accessory**

(Pictures only for reference. Accessory based on actual received.)



power supply



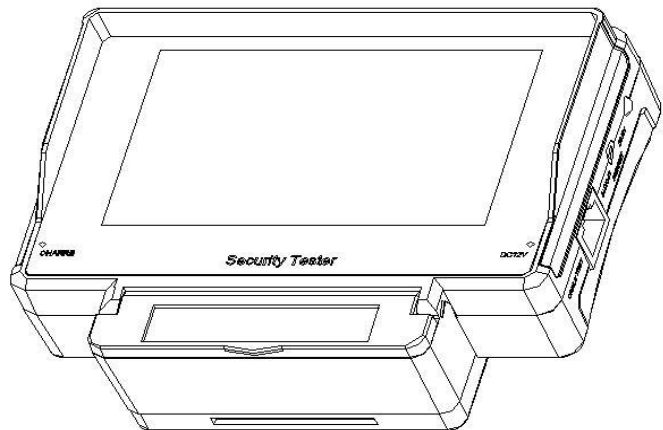
Test head



AV cable



VIDEO IN/OUT- AUDIO IN -12V OUT cable



Mainframe

**Introduction to function of product:**

- **Portable product Mainframe**

Portable product is able to use in any place and any time. It is easy to hold and do not need complicated equipment that hinders the inspecting and repairing.

- **Monitor**

5" high image resolution monitor enable to show clear

image that fits any place to use.

- Long work time

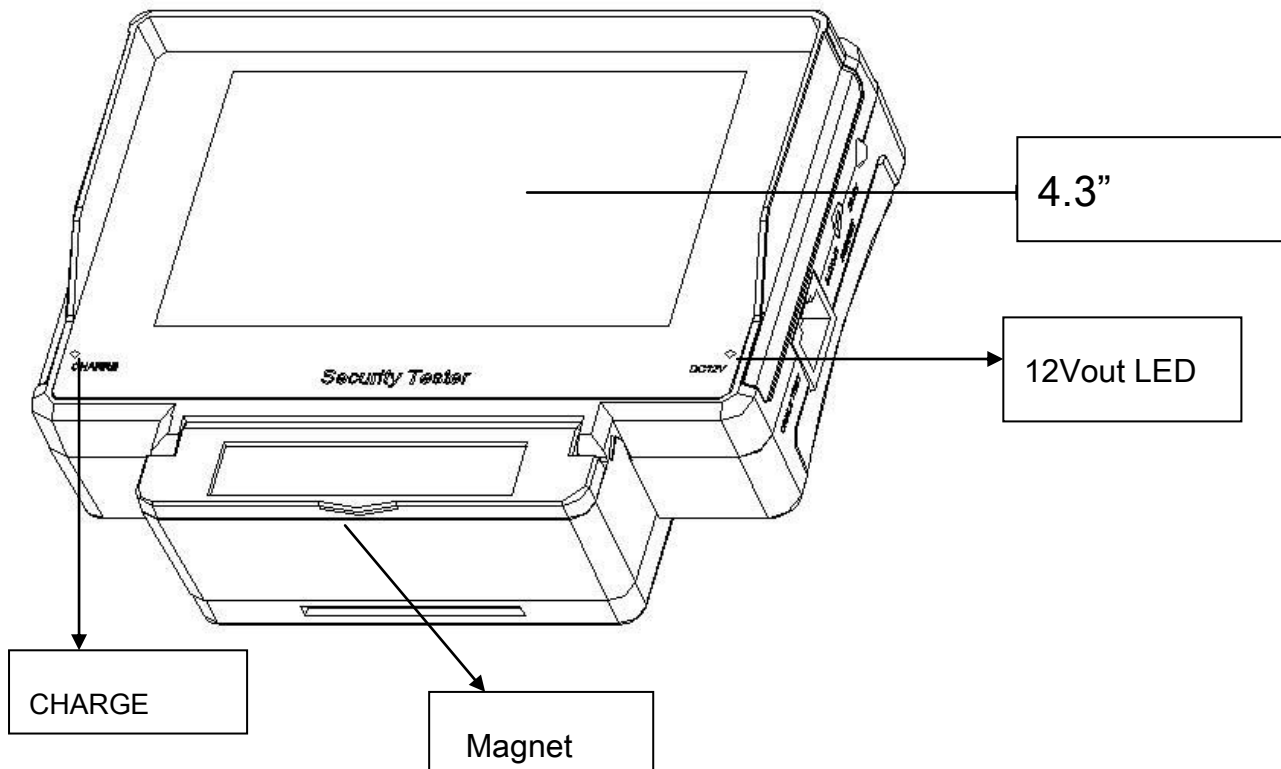
Equips with Lithium battery of high capability. Each 8hours recharge durables 6-7 work hours. (AHD and CCD power supply without)

- Humanized design of appearance

Hand-hold design for professionals. Easy operation without taking off gloves speeds your works. Clasp ring at bottom fits to all chains and use in all environments.

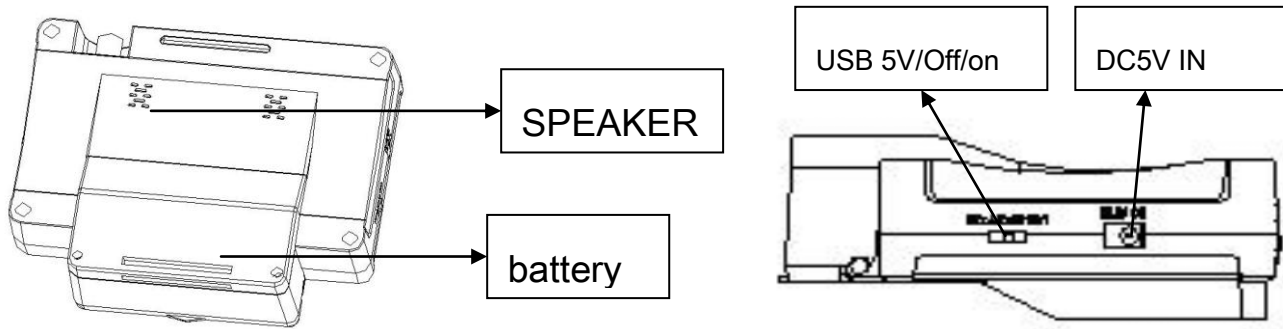
- Support DC power for camera

Introduction to front of Mainframe:



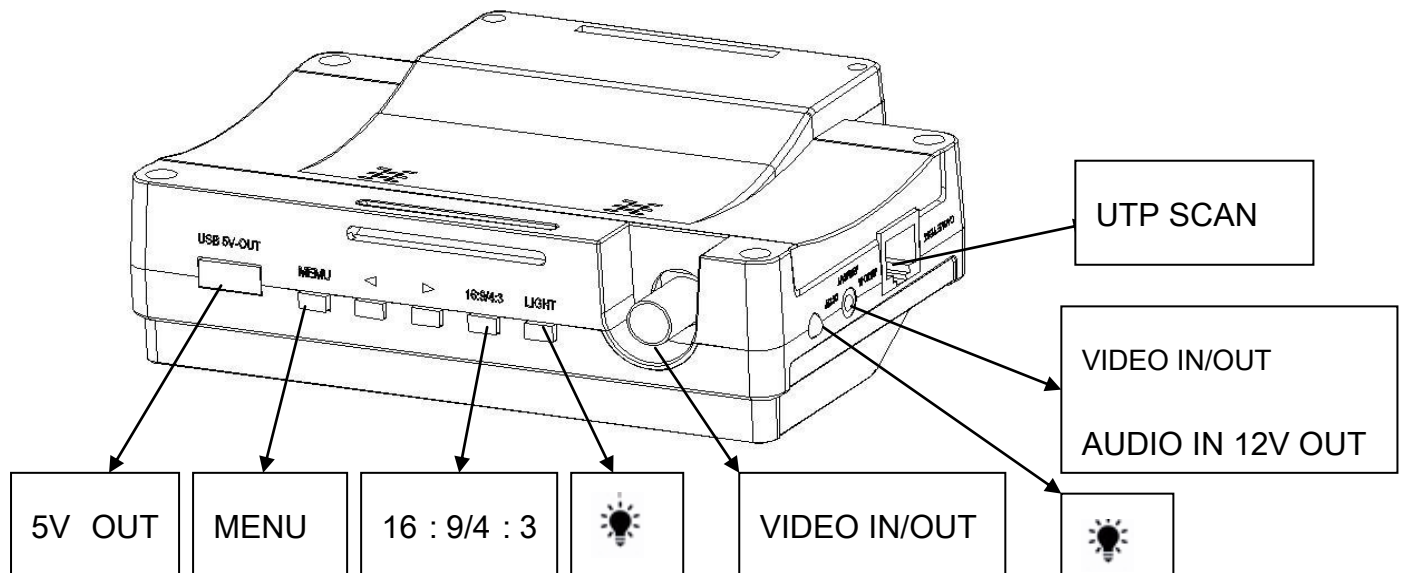
1. Power on when red light is on; power off when red light off
2. Plugging adaptor to power recharge, the red light will be on until the power is full.
3. Plugging 12V OUT, the red light will be on.

**Introduction to back of Mainframe:**



Import video image through BNC terminal. Export video image to monitor through Video out

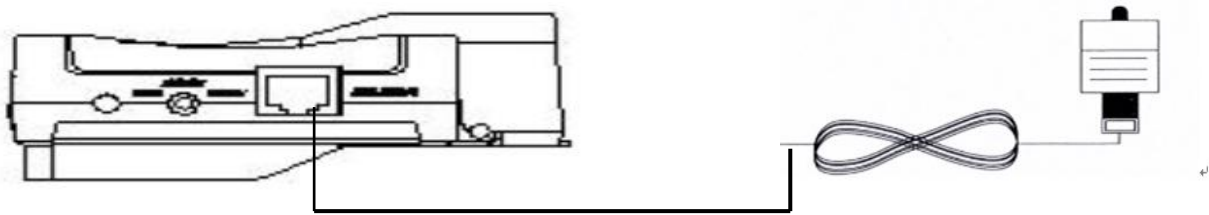
**Function of Side of mainframe:**



Place in DC plug when recharging

## Instruction:

1. Please connect video signal connector to the BNC socket at the top of the mainframe; Then turn on the power by the side switch of the mainframe. it will show the video image on the screen.
2. It can also be used for video output to camera system equipment through the power outlet cable.



## Power on and off

1. Turn the power on by side switch. It shows on when the red light shines.
2. It shows power off when the red light is off.

## Rechargeable battery Description:

### Rechargeable battery

It is dangerous to disassemble product or change battery by yourself because of high electric voltage.

## Using Adaptor:

1. Place AC adaptor plug into AC power socket.
2. Place DC plug into mainframe power socket.
3. It need to recharge when the red light is on.
4. When the red light is off, it means the power is sufficient.

## Notice:

1. Please recharge 6-8 hours when first time recharge.

2.This product has to be off when recharging.

### Specification

Display	4.3" TFT Color LCD
Image Resolution	(480X272)/(800X420)
Video in	Video in x1
power out	DC power out x1 (AHD camera of power source/Max electric currency 1500mA)
System Format	PAL/NTSC/AHD/CVBS
Status Indicator	2LED Charging IND=Red 12V OUT=BLUE
Interface	OSD POWER
Power source	Built-in rechargeable Lithium battery:3.7V 4000mA
Power source	External power: DC 5V 2.0A Adapter
Dimension/Wight	135(L)*100(W)*45(H) (mm) 280g

#### Question:

**Question: Why can' t I turn on the device.**

- 1.Check battery power capability.
- 2.Check if correctly using the original manufactured re-charger.
- 3.Check if the re-charger is normal function.

**Question: Why can' t the image function normally?**

- 1.Check if the camera connects correctly with the terminal of the mainframe.
- 2.Check if the power is on or off.
- 3.Check power volume. Please refill if the power is out.

#### Accessories:

- 1.AHD +CVBS image display device 1 set

2.transformers 1pcs

3. power supply ( 5V-2A ) 1 pcs

4.English manual 1 pcs

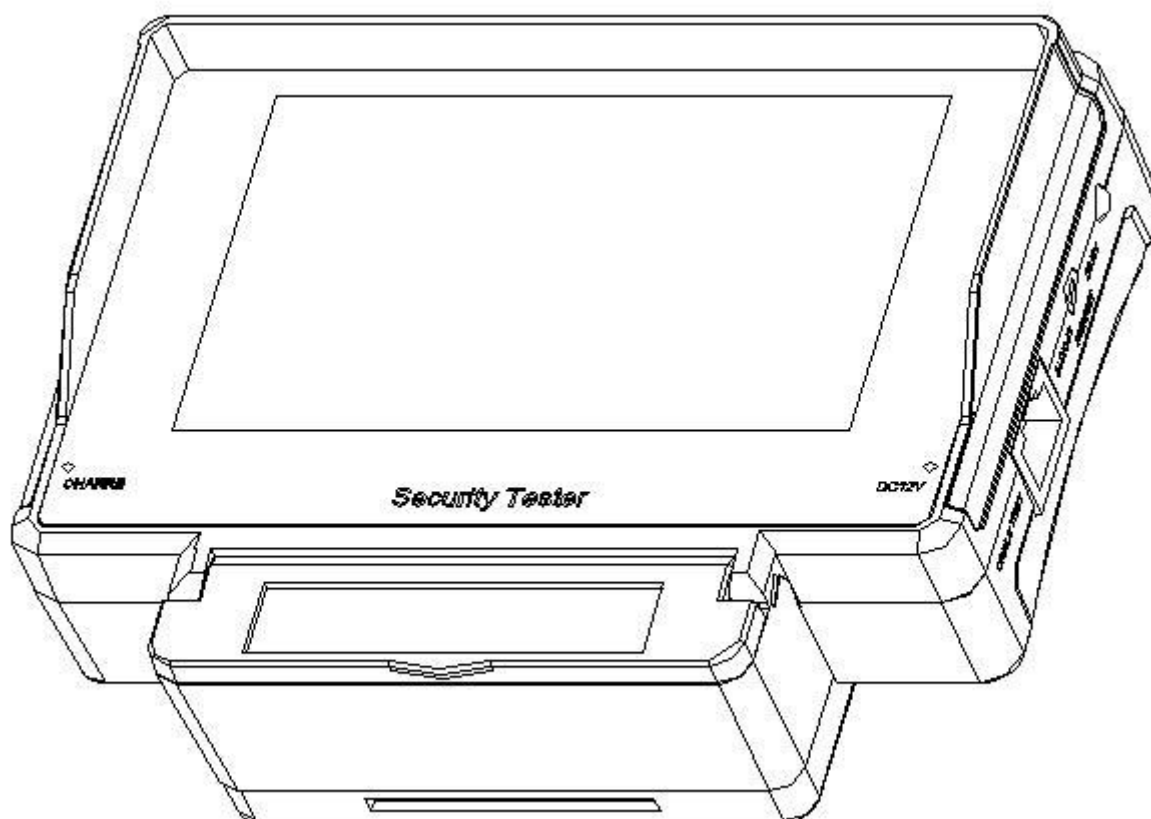
5.VIDEO CABLE 1pcs

6.DATA CABLE 1pcs



# AHD TESTER

## User Manual



**For AHD + ANALOGUE CCTV**