

UNIVERSAL TIMER MODULE

The versatile timer may be configured as four independent timers

Standard Versatile Timer

Delay Timer

Re-triggerable Timer (extender timer)

Positive Trigger only Timer(PIR Timer)

L1	L2	Type1	Type2
off	off	Versatile Timer	Wiper Timer
off	on	Delay Timer	Autoclose Timer
on	off	Retrig Timer	One Shot Timer
on	on	Pos only Timer	Power On Timer

Table1

L1	L2	Time
off	off	3sec to 30sec
off	on	30sec to 3min
on	off	3min to 30min
on	on	30min to 3hr

Table2

Decide which timer version you require and insert the relevant links (Table1)

Use wire links to connect RST to TRIG and to POS

Apply 12 V DC, the led will light up for 5 seconds, if the option required is from Type1 then wait for the led to flash to confirm the selection, else remove the RST link ONLY during the 5 seconds to choose an option from Type2

Remove power, disconnect RST and TRIG from POS

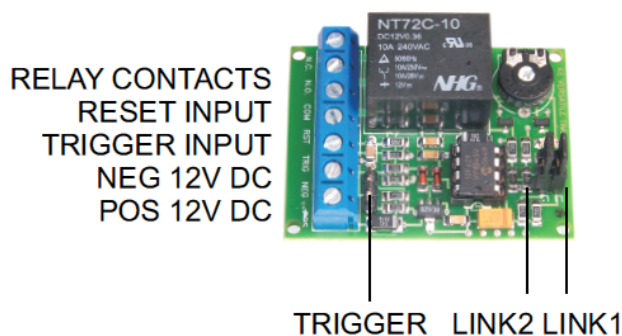
Select your time options as previously with Link1 and 2 (Table2), and the trigger option

Re apply power and operate the timer in the newly selected mode, this new mode is saved in non volatile EEPROM so is maintained even if power is removed

Factory setting is Versatile Timer

Pot is adjusted clockwise to achieve the time setting between minimum and maximum values

Remove power when changing the time or trigger link settings



APPLICATION

- Any timed application

SPECIFICATIONS

- Power supply - 12VDC
- Current drain - 5,7mA standby
- Positive or negative trigger input
- Positive reset input
- Adjustable time from **2 sec to 3 hours**
- Normally open and closed relay contacts 5A @ 12VDC
- Physical size - 54mm x 39mm

WIRING DIAGRAM

- Pin 1** "Normally Closed" Relay contact.
- Pin 2** "Normally Open" Relay contact.
- Pin 3** "Common" Relay contact
- Pin 4** "Reset In"
- Pin 5** "Trigger In"
- Pin 6** "Negative" 12VDC
- Pin 7** "Positive" 12VDC.

EASE OF USE

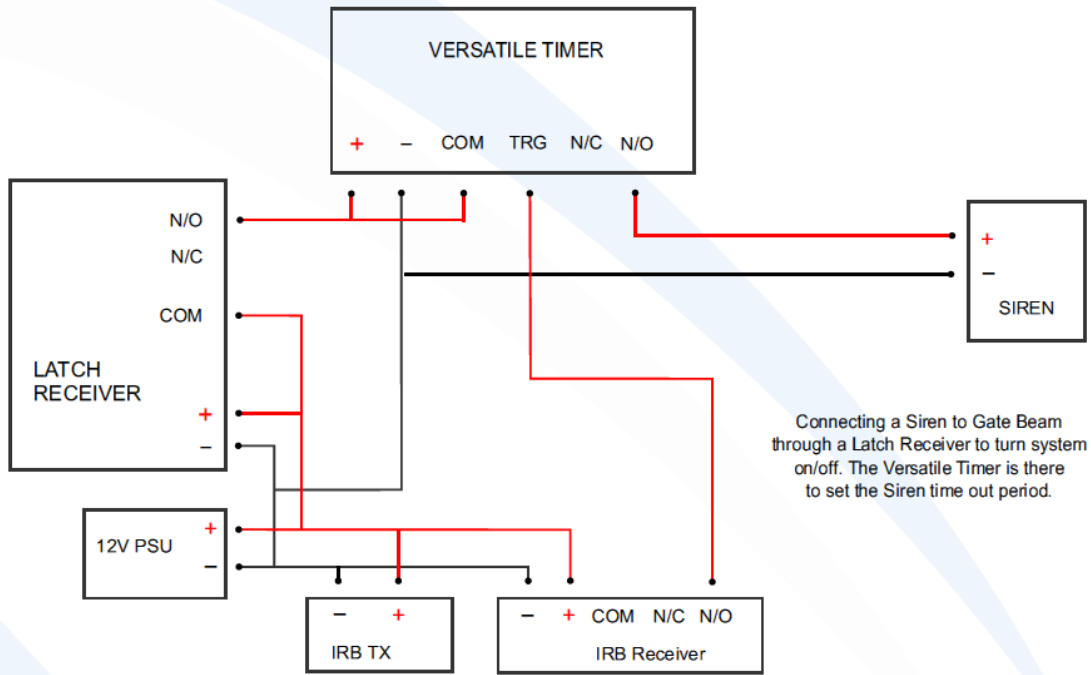
- Quick and easy timer adjustment
- Apply / Remove relevant [L1 / L2] links and Trigger Link
- Always remove power when changing link settings

LINK	MIN	MAX
No Link	2 Seconds	30 Seconds
L2 On	30 Seconds	3 Minutes
L1 On	3 Minutes	30 Minutes
L1 + L2 On	30 Minutes	3 Hours

- Adjust pot clockwise to increase timer from minimum to maximum settings.

OTHER SOFTWARE VERSIONS AVAILABLE

- **Delay Module: - (Ignore short pulses, delay a trigger)**
Continuous trigger - time delayed - then relay is switched, until trigger is removed.
- **AUTO-CLOSE Module: - (Accept a short pulse, delay a trigger)**
Single trigger - time delayed - then relay is temporally switched.
- **Stepper Module: - (Latch devices On and Off)**
1st trigger / relay on – 2nd trigger / relay off. Trigger may be a short or a long pulse.
- **Swing Gate Module: - (Avoid strain on motor fitted with magnetic or striker lock)**
Striker lock – release lock, trigger motor after 0.5 second delay.
- **Stepper Annunciator: - (Latch devices On / Off with audible indicator)**
Stepper including a beeper. 1 beep - relay latches. 2 beeps – relay resets.
- **Retriggerable Module: - (Retriggerable timing option)**
Only starts timing after trigger is removed. Timer resets back to zero with 2nd or 3rd or 4th... trigger.
- **POS trigger only: - (One zone alarm application)**
If normally closed type trigger is used, from passives. As per versatile timer operation.
- **Wiper module: - (Pulsed operation from latch type trigger)**
With continuous trigger, relay will pulse for 1 second every preset time period selected.
- **Extender Module: - (Extend time after trigger)**
Operate relay when triggered, but will only begin timeout when trigger is removed.
- **One-shot Module: - (Permanent indication of a trigger)**
Relay will latch on 1st trigger, but must physically reset timer thereafter.
- **Guard-timer Module: - (Keep guards awake during a shift)**
LED illuminates 1 min before cycle expires.
Relay will trigger for 3 seconds if reset button is not pressed.
Available link times - 15, 30, 60 or 90 minute settings.
- **Power-up Delay Module:**
Starts timing on power-up, relay remains energised after delay time, until power is removed.
- **Video timer Module: - (Record unauthorized movement via passive camera)**
Trigger is received from PIR. LED is illuminated for 1 second, to simulate record button being pushed. 30 second record, then relay for 1 sec, to simulate stop button being pushed. Timer must be wired into video machine; may require services of an experienced technician.



Connecting a Siren to Gate Beam through a Latch Receiver to turn system on/off. The Versatile Timer is there to set the Siren time out period.

Timing Diagrams

