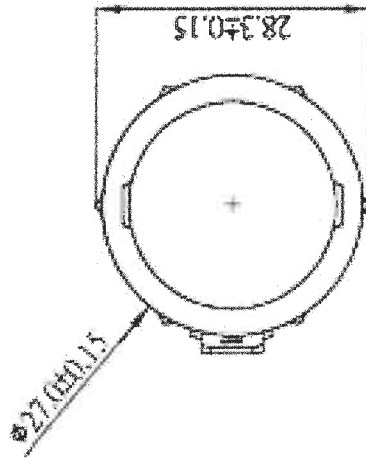
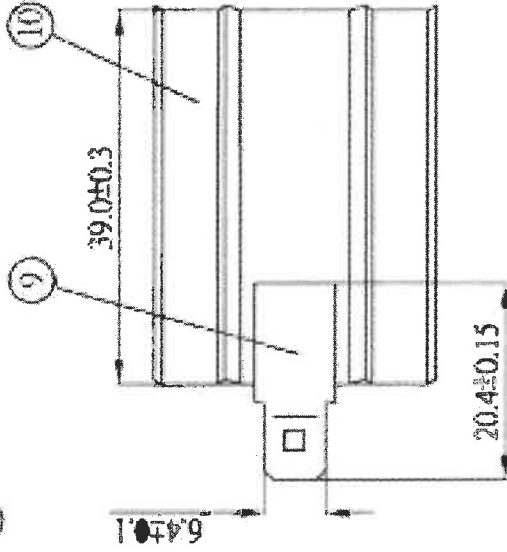
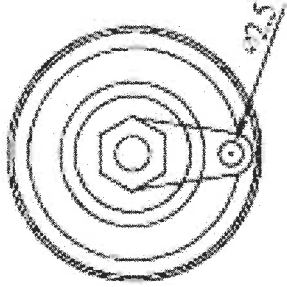
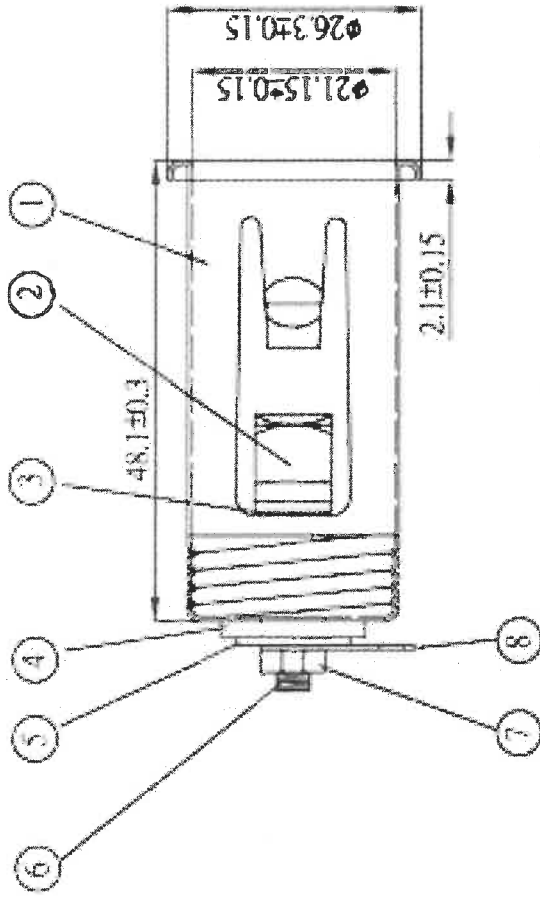


# CIG LITE SOCK- K3203



Item	Name	Material
1	Long Tube	Iron, nickel plated
2	Temperature Spring	Alloy
3	Ceramic Base	Ceramic
4	Insulation	Bakelite
5	Washer	Iron, nickel plated
6	Screw	Copper
7	Nut	Iron, nickel plated
8	Conducting Sheet(+)	Copper, nickel plated
9	Negative Strap (-)	Iron, nickel plated
10	Outer Shell	Iron, nickel plated

**RATED VOLTAGE: 12-24VDC**

**CURRENT RATING: NOT SPECIFIED**

**COMMUNICA (PTY) LTD**  
A WORLD OF ELECTRONICS Reg. No. 1979/003717/07

■ **HEAD OFFICE**  
Tel (012) 657-3500  
Fax (012) 657-3550

E-Mail: sales@communicaco.za  
Web: www.communicaco.za

■ **PRETORIA**  
Tel (012) 328-7008  
Fax (012) 328-7018

■ **CAPE TOWN**  
Tel (021) 447-0948  
Fax (021) 447-0959

**LTD.**

TOLERANCE

±0.15

比例

UNIT

材質

VERSION

DATE 2020/10/22

備註

核學設計 製圖

K3203

A