

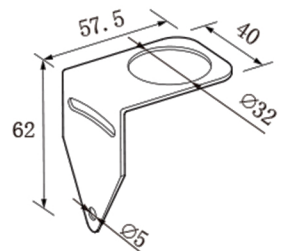
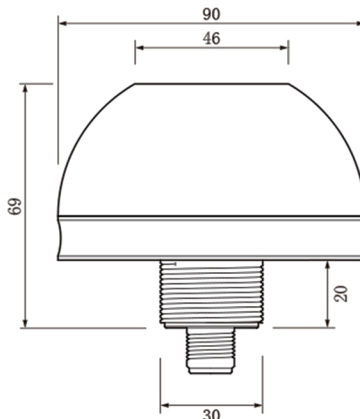
INTELLIGENT INDUSTRIAL SIGNAL LIGHTS



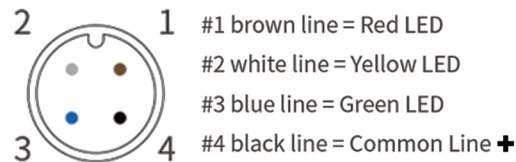
O90 SERIES



DIMENSIONS



CONTROL CIRCUIT DIAGRAM



CLX-O90-BN-RYG-M12 | M12 connector