

插针数 Contacts	料号 Order No.	产品代号 Part Code	电缆直径(D) Cable outlet	重量 Weight
4	1630045112003	M12-M04B-S-D6-SH	4-6mm	75.8g
	1630045112004	M12-M04B-S-D8-SH	6-8mm	75.6g
5	1630055112003	M12-M05B-S-D6-SH	4-6mm	77.6g
	1630055112004	M12-M05B-S-D8-SH	6-8mm	77.4g

技术参数:

- 产品系列: M12-B 编码
- 插针数: 4 5
- 额定电流(40°C): 4A 4A
- 额定电压: 250V 125V
- 额定脉冲电压: 2500V 1500V
- 污染等级: 3
- 接触电阻: ≤10mΩ
- 防护等级: IP67
- 插拔次数: >100
- 温度范围: -40°C...+85°C
- 绝缘阻抗: ≥100MΩ
- 接线方式: 螺钉锁紧
- 线径范围: max.0.75mm² (max.AWG18)
- 锁紧扭矩: 0.2Nm (螺钉接线)
- 电缆直径: 4-6mm, 6-8mm
- 电缆剥线长度: 20mm
- 导线剥线长度: 5mm

Technical specification:

- Series: M12 B-Code
- Number of contacts: 4 5
- Rated current(40°C): 4A 4A
- Rated voltage: 250V 125V
- Rated impulse voltage: 2500V 1500V
- Pollution degree: 3
- Contact resistance: ≤10mΩ
- Degree of protection: IP67
- Mating cycles: >100
- Temperature range: -40°C - +85°C
- Insulation resistance: ≥100MΩ
- Termination method: screw connection
- Wire gauge: max.0.75mm² (max.AWG18)
- Torque: 0.2Nm (screw terminal blocks)
- Cable Outlet: 4~6mm, 6~8mm
- Stripping length of the sheath: 20mm
- Stripping length of the individual wire: 5mm

材料特性:

- 锁紧螺帽: 金属
- 插针材料: 铜合金
- 插针表面处理: 镀金
- 外壳材料: 锌合金
- 绝缘材料: PA

Material properties:

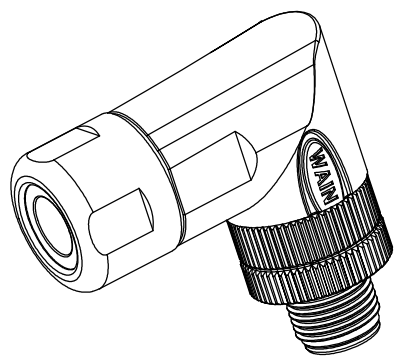
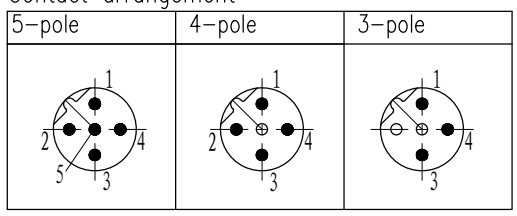
- Material of locking system: Metal
- Material of contact: copper alloy
- Contact plating: Au
- Material of housing: Zinc die-cast
- Material of Insert: PA

符合标准: IEC 61076-2-101

Standards: IEC 61076-2-101

针位排布图

Contact arrangement



标记 Mark	处数 Number	变更描述/Description		签名 Signature	日期 Date	表面处理 Finish	-				图号 Drawing No.	-		
		姓名/Name	日期/Date	姓名/Name	日期/Date	材料 Material	-				产品代号 Part Code	M12-M0XB-S-DX-SH		
		姓名/Name	日期/Date	姓名/Name	日期/Date	比例 Scale	版本 REV.	重量 Weight	数量 Qty.	-			产品料号 Part No.	-
绘图 Drawn		ZH SU	18.12.2020	-	-	1:1	V1.0	-	-	-			产品名称 Part Name	-
审核 Checked		ZQ XU	18.12.2020											
工艺 Process		-	-	批准 Approved	HQ ZHANG	18.12.2020	All Dimensions in mm Original Size DIN A 4				厦门唯恩电气有限公司 XIAMEN WAIN ELECTRICAL CO.LTD			