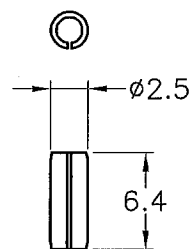
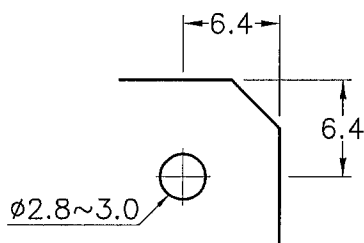
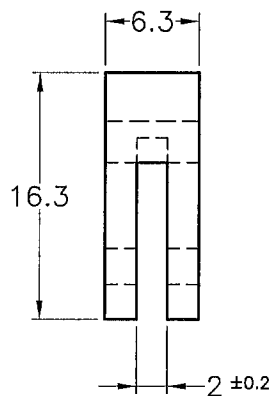
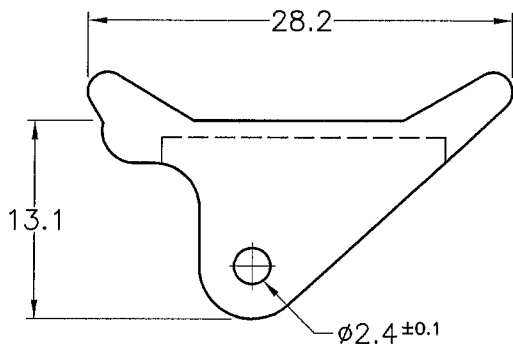


REVISIONS			
REV	DESCRIPTION	DATE	BY



MOUNTING HOLE

PIN

PART NO.	MATERIAL	COLOR
CP-25	NYLON 66 UL94V-2	NATURAL
CP-25(B)	NYLON 66 UL94V-2	BLACK
CP-25P	P.O.M UL94HB	NATURAL



康揚企業股份有限公司
 KANG YANG HARDWARE ENTERPRISE CO., LTD.
 東莞康揚塑膠五金電子廠
 DONG GUAN KANG YANG PLASTIC HARDWARE COMPANY
 康哲電腦配件(吳江)有限公司
 KANG CHE COMPUTER COMPONENTS(WUJIANG) CO., LTD.

TITLE	PC板拉柄	產品規格圖面
MATERIAL	SEE ABOVE	DATE 1998.10.06
FINISH		DRAWN JASON
COLOR	SEE ABOVE	CHECK 陳明得
UNLESS OTHERWISE SPECIFIED TOLERANCE	±0.3	APPROVED Kang

PART NUMBER	SEE ABOVE	DRAWING NUMBER	CP-25H
SIZE	A4	SCALE	2:1
UNIT	mm	REV	A