

THE DATALINE SERIES

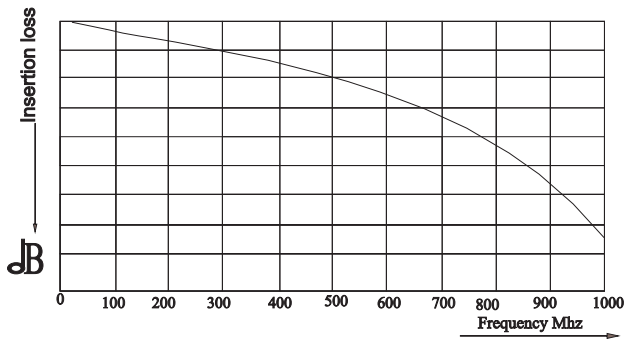
RF Line antenna input protection

12-00118 / 12-00297 / 12-00121 /
12-00296 / 12-00122

Features

- Low insertion loss
- High power capability
- Compact design

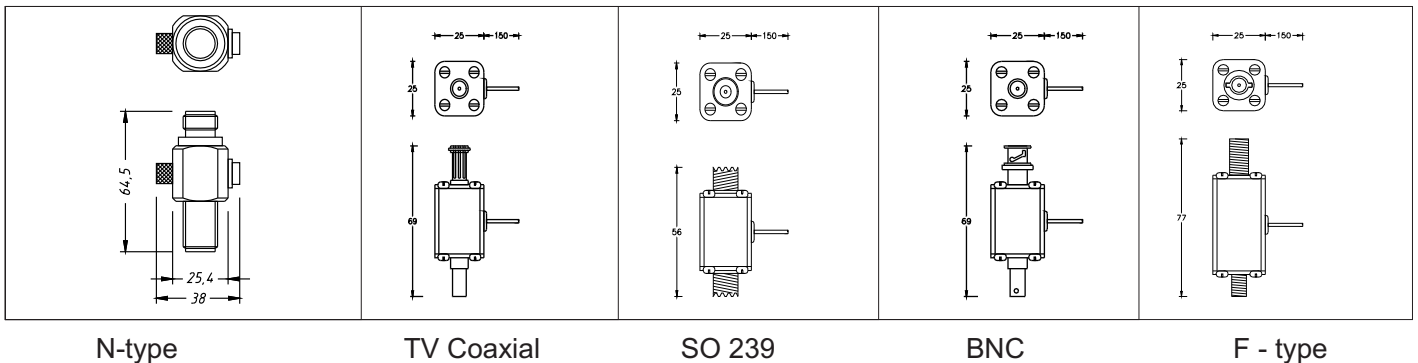
Attenuation characteristics



Specifications

	R F Coax	R F Coax	R F Coax	R F Coax	R F Coax
Max operating voltage	600V dc	600V dc	600V dc	600V dc	24V dc
Operating current (watts/50W)	500	500	500	500	-
Max discharge current ismax (8/20)	10kA	10kA	10kA	10kA	10kA
Residual voltage at ismax (50W)	Approx. 100V	Approx. 100V	Approx. 100V	Approx. 100V	Approx. 100V
Usable frequency	500MHz	500MHz	2,5GHz	1,5GHz	1,5GHz
VSWR at 500MHz/50W	1.05 : 1	1.05 : 1	1.05 : 1	1.05 : 1	1.05 : 1
Insertion loss at 500MHz	0.1dB	0.1dB	0.1dB	0.1dB	0.5dB
Temperature range	-20 C to +70 C	-20 C to +70 C	-20 C to +70 C	-20 C to +70 C	-20 C to +70 C
Connectors	S0239	BNC	N-type	TV	F - type
Order code	12-00297	12-00121	12-00296	12-00118	12-00122
Application	Radio communications transceivers			TV systems	Satellite systems

Dimensions



Designed and Manufactured by:

Clearline Protection Systems (Pty) Ltd
Roan Crescent Corporate Park North, Old Pta Road, Midrand, South Africa
P.O. Box 5985, Halfway House, 1685
Tel: +27 (0) 11 848-1100
Fax: +27 (0) 11 314-3880
E-mail: info@clearline.co.za
www.clearline.co.za

