

THE DUOLITE SERIES

Mains and ADSL Protection

Features

- Plug and play concept
- Easy installation
- Compact design
- Protects power and ADSL

This combination protector utilizes Clearline's equipotential platform technology for effective protection.

12-00249

rev2



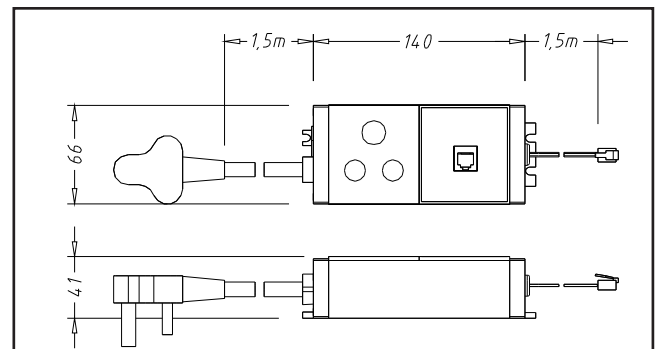
*Specifications subject to change without prior notice due to continuous improvements

Specifications	
Power Surge Protection	
Nom. Input Voltage	230VAC 50Hz
Max. Continuous Current	5A
Max. Discharge Current	8kA L-N, L-E, N-E (8/20us)
Residual Voltage	<900V
Response Time	<25ns
Input Connectors	16A 3Pin Plug
Output Connectors	16A 3Pin Socket

Telecom Surge Protection	
Max. Discharge Current	20kA L-L, 10kA L-E (8/20us)
Residual Voltage	<100V L-L, L-E
Technology Supported	ADSL
Data Speed Supported	10 Mbit/s
Data Connector	RJ11
No. of Wires	2

Other	
Indication	N/A
Temperature Range	-20°C to +70°C
Standard Compliance	IEC 164-1, 61643-1, IEEE 802.3
Lead Length	1.5m RJ11-RJ11 Cable
Dimensions	140x66x41mm
Weight	0.49kg

Dimensions



Designed and Manufactured by:

Clearline Protection Systems (Pty) Ltd

385 Roan Crescent Corporate Park North, Old Pta Road,
Midrand, South Africa
P.O. Box 5985, Halfway House, 1685
Tel: +27 (0) 11 848-1100
Fax: +27 (0) 11 314-3880
E-mail: info@clearline.co.za
www.clearline.co.za

