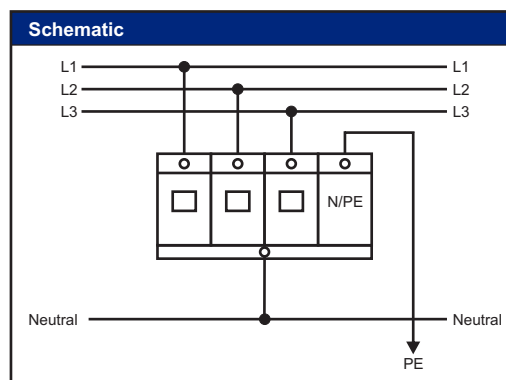
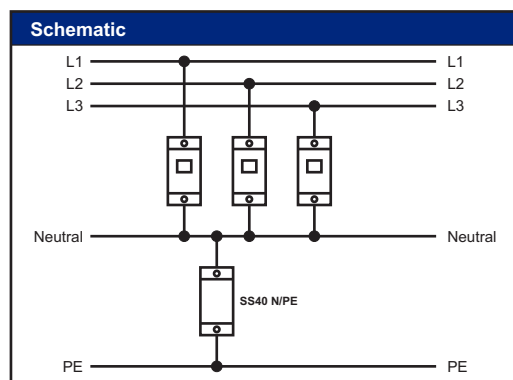


SS40 TT Surge arrester for three-phase systems

A compact surge arrester for three-phase installations. A potential equalisation gap device has been included for neutral/PE connection to comply with the requirements of SABS/IEC 61312-1. Remote signalling contacts have been included.



Specifications	L - N	PE - N
Nominal voltage	230/400VAC / 50Hz	230/400VAC / 50Hz
Rated voltage (maximum continuous operating voltage at 50Hz)	275VAC	275V
Nominal discharge current (8/20) (per pole)	20kA	20kA
Maximum discharge current (8/20) (per pole)	40kA	40kA
Follow current exting. capability at Uc	-	100Arms
Lightning impulse current (10/350)	-	12kA
Voltage protection level at 5kA (8/20)	<1kV	-
Voltage protection level at Isn	<1.5kV	-
Lightning impulse spark-over (1.2/50)	-	<1.5kV
Response time	25ns	100ns
Backup fuse (only required if not already provided in mains)	80A gL/gG	-
Short circuit withstand capability with maximum backup fuse	50kA / 50Hz	-
Operating temperature range	-40°C to +80°C	
Enclosed material	Thermoplastic	
Degree of protection	IP20	
Installation width	72mm (4 modules)	
Tested to	SABS / IEC 61643-1	



Designed and Manufactured by:

Clearline Protection Systems (Pty) Ltd

Roan Crescent Corporate Park North, Old Pta Road, Midrand, South Africa
P.O. Box 5985, Halfway House, 1685

Tel: +27 (0) 11 848-1111

Fax: +27 (0) 11 314-3880

E-mail: info@clearline.co.za

www.clearline.co.za