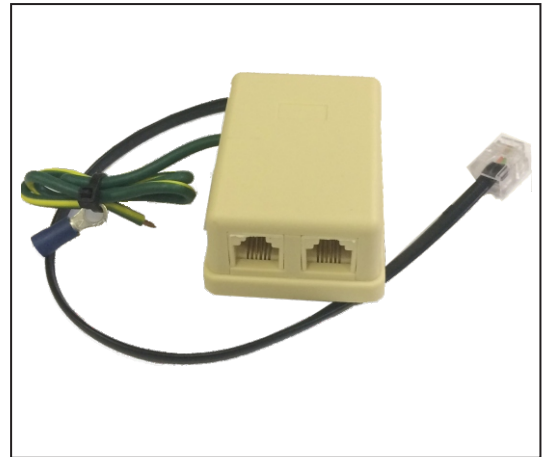


Dual Telecommunication Protector

Features

- Compact size
- Easy installation
- Fully graded protection
- High discharge current capability
- For analogue and ADSL applications

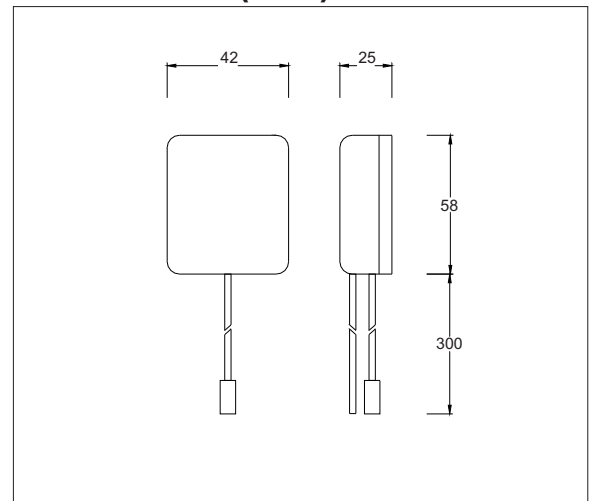
An in-line protection device for use with modems, digital communicators, alarm panels, cordless phones, fax machines and other line equipment.



*Specifications subject to change without prior notice due to continuous improvements

Specifications	
Telecom Surge Protection	
Max. Discharge Current	20kA L-L, 10kA L-E (8/20us)
Residual Voltage	<220V L-L, L-E
Technology Supported	Analogue & ADSL
Data Speed Supported	10Mbit/s
Data Connector	RJ11
No. of Wires	2
Other	
Indication	N/A
Temperature Range	-20°C to +70°C
Standard Compliance	ICASA TE-001 & ITU-T K.21
Lead Length	300mm RJ11 Cable
Dimensions	42x58x25mm
Weight	0.03kg

Dimensions(mm)



Designed and Manufactured by:

Clearline Protection Systems (Pty) Ltd

385 Roan Crescent Corporate Park North, Old Pta Road,

Midrand, South Africa

P.O. Box 5985, Halfway House, 1685

Tel: +27 (0) 11 848-1100

Fax: +27 (0) 11 314-3880

E-mail: info@clearline.co.za

www.clearline.co.za