

# THE POWERLINE SERIES

## Surge Cord

### Features

- High surge handling capability
- Economical secondary protection
- Thermal and overcurrent fusing
- Visual fault indication
- Differential and common mode protection

Surge plugs are used for the secondary protection of computers, video equipment, TV, alarms and other electronic equipment. They are available in the dedicated 16A round pin.

These plugs are fitted with an overcurrent and thermal fuse. In the rare event of varistor failure, the varistors are disconnected from the mains supply, preventing any dangerous temperature rise. The fault indication LED which is normally lit will go OFF to indicate the faulty protection has been disconnected. Mains power will still be available to the unprotected equipment.

12-00761

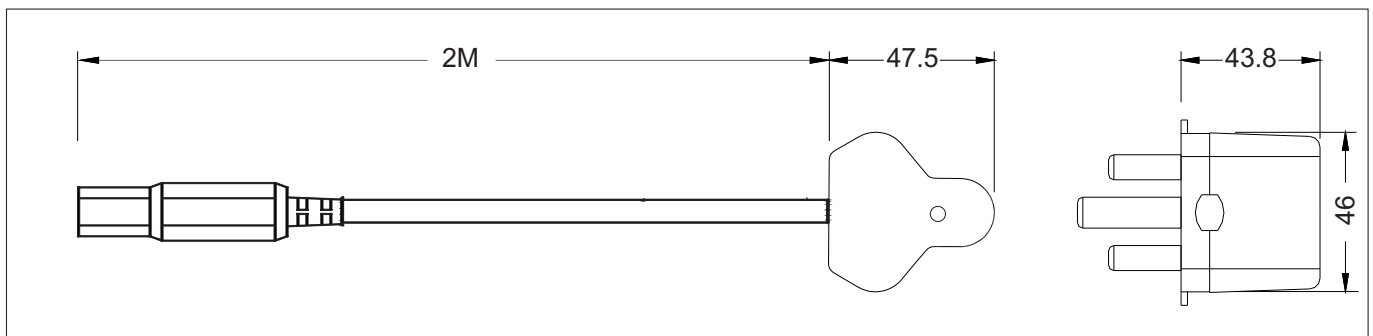
rev0



\*Specifications subject to change without prior notice due to continuous improvements

Specifications	
<b>Power Surge Protection</b>	
Nom. Input Voltage	230VAC 50Hz
Max. Continuous Current	10A
Max. Discharge Current	8kA L-N, L-E, N-E (8/20us)
Residual Voltage	<900V
Response Time	<25ns
Input Connectors	16A 3Pin Dedicated Plug
Output Connectors	2M IEC cord
<b>Other</b>	
Indication	LED
Temperature Range	-10°C to +70°C
Standard Compliance	IEC 61643-1
Lead Length	2M IEC cord
Plug Dimensions	47.5x46x43.8mm
Weight	0.1kg

### Dimensions



### Designed and Manufactured by:

**Clearline Protection Systems (Pty) Ltd**

385 Roan Crescent Corporate Park North, Old Pta Road,

Midrand, South Africa

P.O. Box 5985, Halfway House, 1685

Tel: +27 (0) 11 848-1100

Fax: +27 (0) 11 314-3880

E-mail: [info@clearline.co.za](mailto:info@clearline.co.za)

[www.clearline.co.za](http://www.clearline.co.za)

