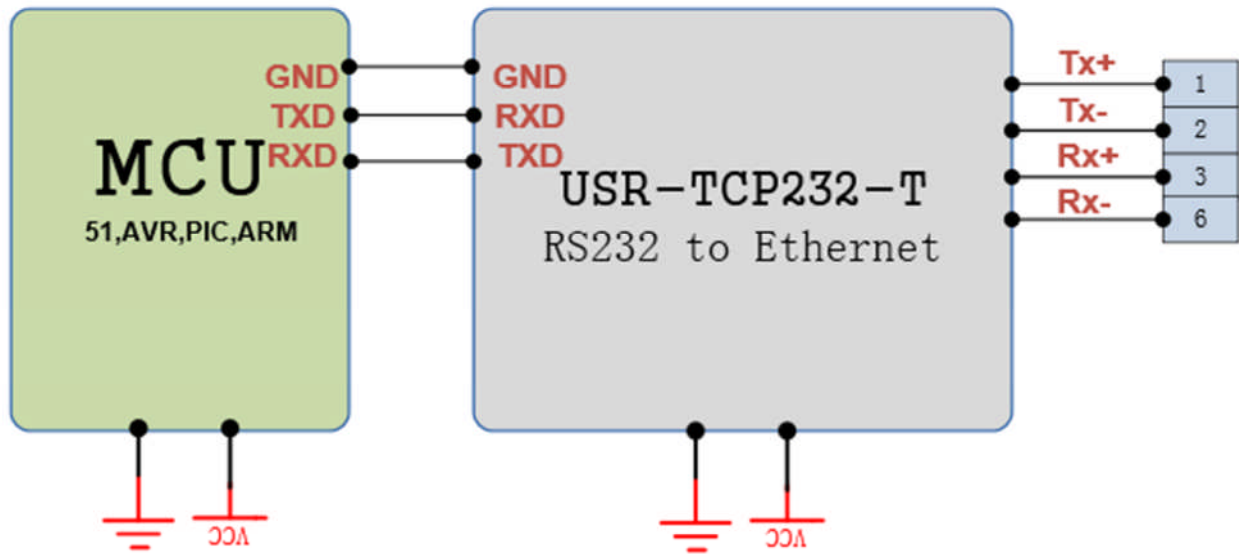


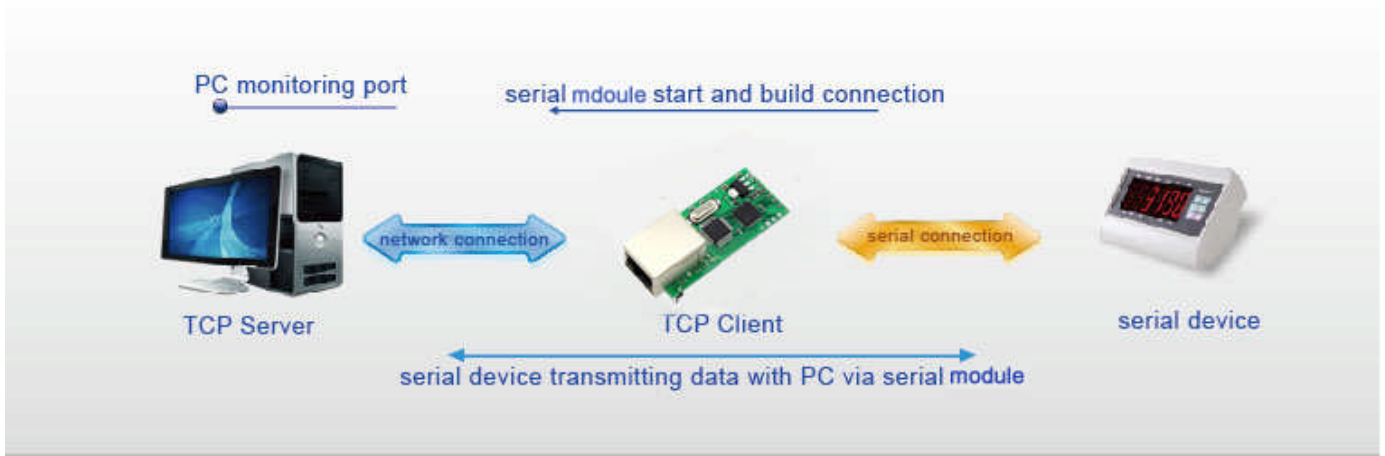
Connection Diagram



Work Mode

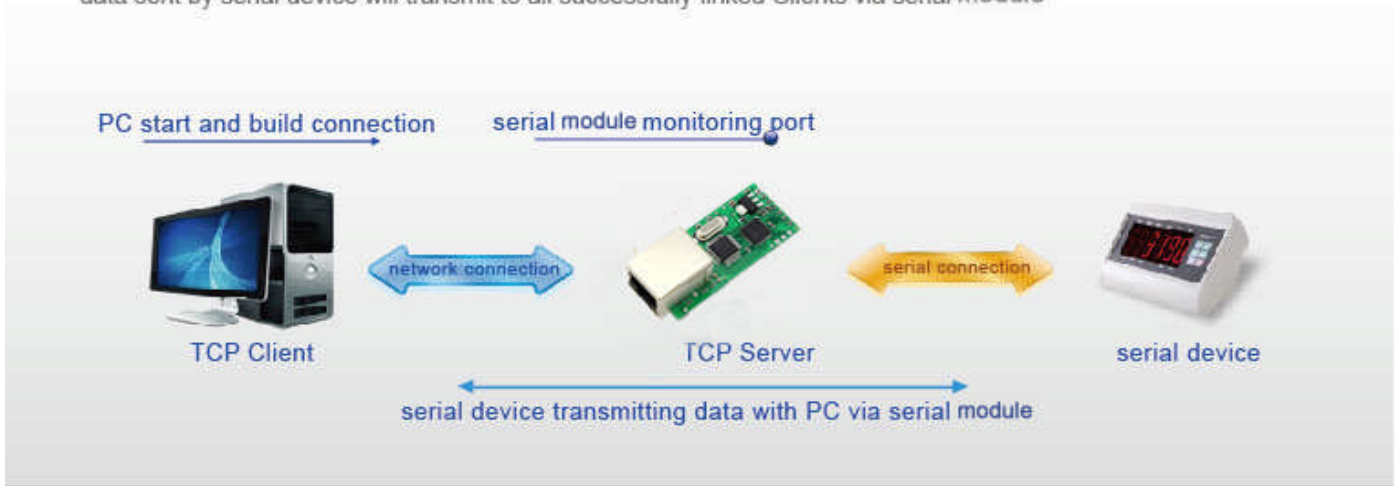
- TCP Client Mode

serial module starts connection to all set TCP Server, if connection fail, serial module will try to reconnect till success. if connection succeed, module will transmit data with serial device



- TCP Server Mode

serial module monitors the set port and waits for TCP Client to connect; data sent by serial device will transmit to all successfully-linked Clients via serial module



- UDP Mode

serial module send UDP data of serial device to set network device; serial module monitor port and send the received data to serial device

