



## SPECIFICATIONS SHEET

**PRODUCT TYPE : PIEZO BUZZER**

**PRODUCT SERIES : DB-E948**

**DESCRIPTION : PZ BUZZER SINGLE 12VDC L/W ABS RoHS**

**COLOR : BLACK**

**ELECTRICAL SPECIFICATIONS**

MODEL NO.		94S4120LFLA
OPERATING VOLTAGE RANGE (VDC)		3.0 ~ 24.0
RATED VOLTAGE (VDC)		12.0
* MAX. RATED CURRENT (mA)		10.0
* MIN. SOUND OUTPUT (dBA/ 30.0 cm)		85.0
* FREQUENCY (Hz)		3500.0 ± 500.0
TONE NATURE		SINGLE
OPERATING TEMPERATURE (°C)		- 20.0 ~ + 60.0
STORAGE TEMPERATURE (°C)		- 30.0 ~ + 70.0
TERMINAL		LEADWIRE ( UL1095 , AWG#28 )
HOUSING MATERIAL		ABS
WEIGHT (g)		3.5

\* Value applying at rated voltage

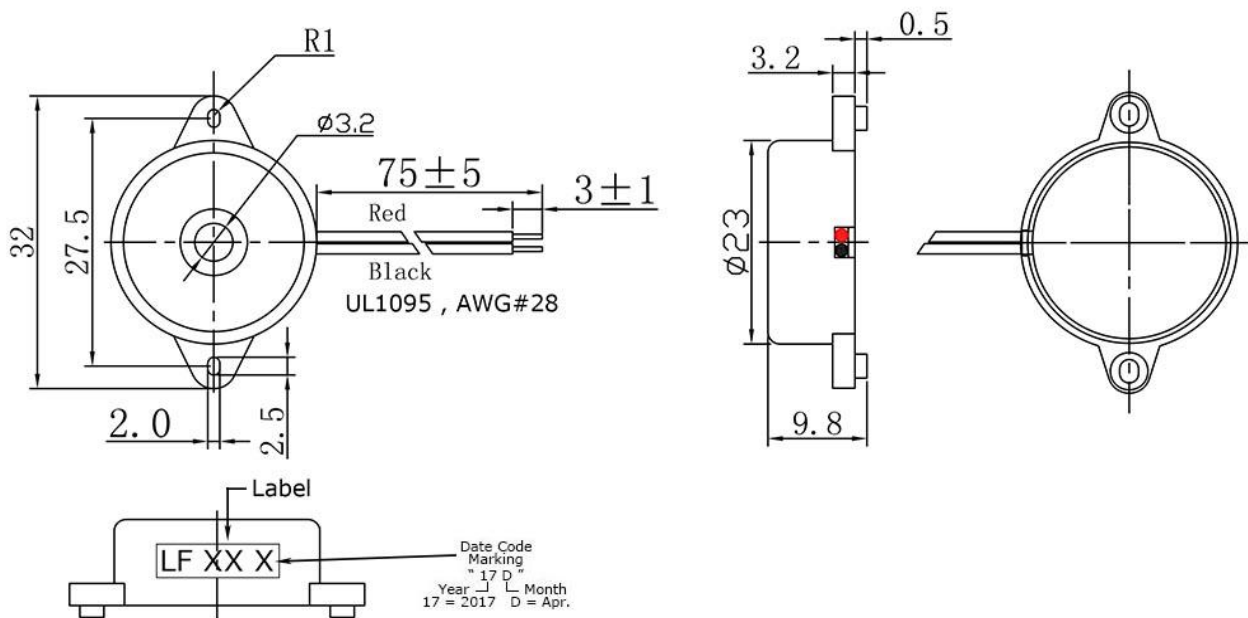
**DIMENSIONS**

**UNIT : mm Tolerance : ± 0.5 mm**

TOP VIEW

SIDE VIEW

BOTTOM VIEW



SIDE VIEW

Modify :	Date :	By :
1 ) Operating Voltage 3 ~ 28VDC change to 3 ~ 24 VDC. 2 ) Operating Temperature -25 ~ +65 °C change to -20 ~ 60 °C. 3 ) Add Storage Temperature.	12-Apr-17	Nelson

Approved By :   
Date : 12 Apr 2017

Prepared By :   
Date : 12 Apr 2017