



Specifications Sheet

Product Type : Magnetic Transducer

Product Series : DB

Description : MT TRANSDUCER 12V PIN NORYL RoHS

Color : Black

Electrical Specifications

Model No.		DB12LFPN
Operating Voltage Range	(V)	9.0 ~ 15.0
Rated Voltage	(V)	12.0
Max. Rated Current	(mA)	40.0
Coil Resistance	(Ω)	115.0 ± 12.0
Min. Sound Output at 10.0 cm	(dBA)	85.0
Resonant Frequency	(Hz)	2048.0
Operating Temperature	(°C)	- 30.0 ~ + 70.0
Storage Temperature	(°C)	- 40.0 ~ + 85.0
Terminal		Pin
Housing Material		Noryl
Weight	(g)	5.0

+ Value applying rated voltage 2048.0 Hz, 1/2 duty , square wave

* Value applying resonant frequency, 1/2 duty , square wave ,measuring current 60.0 uA

Dimensions

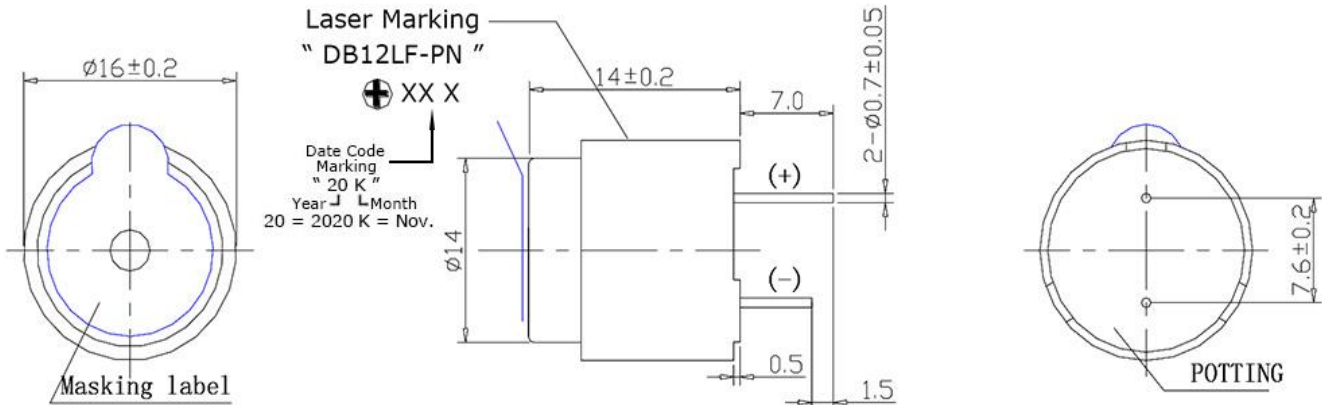
Unit : mm

Tolerance : ± 0.5 mm

TOP VIEW

SIEV VIEW

BOTTOM VIEW



Modify :	Date :	By :
1) Operating Voltage Range : 8 ~ 18 V change to 9 ~ 15 V. 2) Operating Temperature : -25 ~ +70 ° C change to -30 ~ +70 ° C. 3) Add " Storage Temperature " information. 4) Weight : 7 g change to 5 g. 5) Silk screen marking change to Laser marking. 6) Modify " Mechanical Draw ".	04 Nov 2020	Chuen

Approved By :

Date : 04 Nov 2020

Prepared By :

Date : 04 Nov 2020