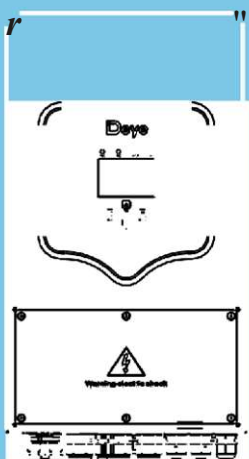


Hybrid Inverter

SUN-8K-SG01LP1-EU



Hybrid Inverter

SUN-8K-SG01LP1- EU



Max. Efficiency
97.6%



2 MPPT



RS485/CAN



Internal SPD



Zero Export



IP65
Ingress Protection



High Power
Factor



High Surge
Endurance



AC Coupled



Support Generator
Connection

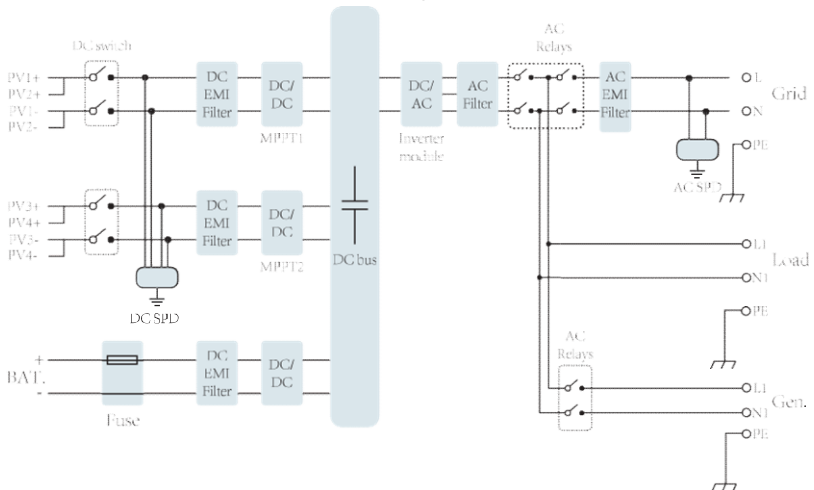


Six Time of
Use Setting

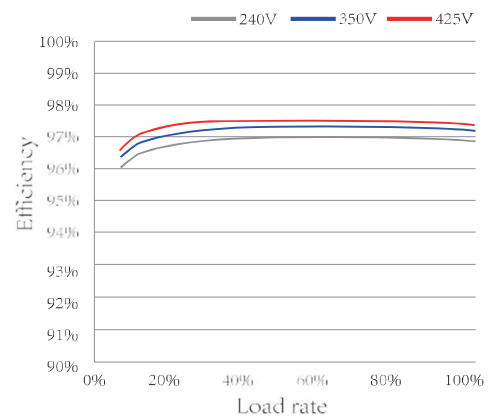


Support Multiple
Parallel

Circuit block diagram



Efficiency curve



SUN-8K-SG01LP1-EU

Technical Specifications

Model	SUN-8K-SG01LP1 -EU
Battery Input Data	
Battery Type	Lead-acid or Li-Ion
Battery Voltage Range (V)	40-60V
Max Charging Current (A)	190A
Max Discharging Current (A)	190A
Charging Curve	3 Stages/Equalization
Extreme Temperature Sensor	Included
Charging Strategy for Li-Ion Battery	Self-adaptation to BMS
PV String Input Data	
Max DC Input Power (W)	10400W
PV Input Voltage (V)	370V(100V~500V)
MPPT Range (V)	125V-425V
Start-up Voltage (V)	125V
PV Input Current (A)	15A+18A
No. of MPPT Trackers	2
No of Strings Per MPPT Tracker	2+2
AC Output Data	
Rated AC Output and UPS Power (W)	8000W
Max AC Output Power (W)	8800W
Peak Power (off grid)	2 times of rated power, 10 S
AC Output Rated Current(A)	33.4A/35A
Max.AC Current(A)	38.3A/40A
Max Continuous AC Passthrough(A)	50A
Output Frequency and Voltage	50Hz- 230Vac (single phase)
Grid Type	Single Phase
Current Harmonic Distortion	THD<3% (Linear load<1.5%)
Efficiency	
Max Efficiency	97.60%
Euro Efficiency	97.00%
MPPT Efficiency	99.90%
Protection	
PV Arc Fault Detection	integrated (Except European Type)
PV input Lightning Protection	Integrated
Anti-islanding Protection	Integrated
PV String Input Reverse Polarity Protection	Integrated
Insulation Resistor Detection	Integrated
Residual Current Monitoring Unit	Integrated
Output Over Current Protection	Integrated
Output Shorted Protection	Integrated
Output Over Voltage Protection	Integrated
Certifications and Standards	
Grid Regulation	AS4777, NRS2017, G98, G99, IEC61683, IEC62116, IEC61727
Safety Regulation	IEC62109-1, IEC62109-2
EMC	EN61000-6-1, EN61000-6-3
General Data	
Operating Temperature Range (C)	-25- 60 °C, >45 °C. Derating
Cooling	Fan
Noise (dB)	<30
Communication with BMS	RS485; CAN
Weight (kg)	32
Size (Length*Width*Height mm)	670 X 420 X 233mm
Protection Degree	IP65
Installation Style	Wall-mounted
Warranty	5 years