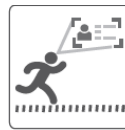


2MP 25X Starlight IR Network PTZ Camera



TD-8523IE (PE/25M/AR15)



Smart Tracking



Starlight



True WDR



Auto Day/Night



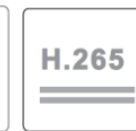
3D DNR



PoE+



IP66



H.265



System

TD-8523IE (PE/25M/AR15), 2MP 25x Starlight IR Network PTZ camera, is AI detection and tracking PTZ, for wide range of intrusion and perimeter protection applications. The image sub-system is designed and fine-tuned for more reliable AI analysis and recognition results. Upon detecting illegal intrusion, the camera will trace it until the object leave out of restricted regions. This model could recognize max 15 objects per second, recognize human faces up to 320m distance or record human behaviors up to 1600m in most scenarios.

Key Spec:

- 1/2.8" progressive scan CMOS
- Up to 1920×1080 resolution
- Mini illumination:
 - Color: 0.005 lux @ (F1.6 AGC ON)
 - B/W: 0.001 lux@ (F1.6 AGC ON)
 - 0 Lux with IR
- 25x optical zoom, 16x digital zoom
- 120 dB WDR, 3D DNR, Smart IR
- Up to 150m IR distance
- Smart H.265/H.264 video compression
- 0.5Tops Deep-learning Engine
- Smart tracking of human/vehicle
- Smart detection and perimeter protection
- IP66,-30 ℃~60 ℃, Aluminum Alloy &Plastic
- PoE+ (802.3.at, class 3) and DC24V/AC24V
- ONVIF, API and SDK

Application:

Wide range area intrusion, perimeter protection and alarm, such as parks, scenic spots, stations and venues, industrial park.

SPECIFICATION:

Camera Module	
System	Hi3516CV500, 8Gb LPDDR3,2Gb SPI Flash
Image sensor	1/2.8" progressive scan CMOS(SONY IMX462)
Mini. Illumination	Color: 0.005Lux @ (F1.65, AGC ON); B/W: 0.001Lux @ (F1.65, AGC ON); 0Lux with IR
Image setting	Flip, Mirror, Saturation, Brightness, Contrast, Sharpness, AGC, and AWB adjusted by client software/browser
Shutter Speed	1/1 s – 1/10,000 s
White Balance	Auto/Manual/Indoor/Outdoor
Gain	Auto/Manual
Day & Night	IR Cut filter
Digital Zoom	16x
Privacy Mask	4 Programmable privacy masks
3D DNR	Auto/Manual
BLC	Yes
HLC	Yes
WDR	120 dB
Defog	Electronic
EIS	Yes
Regional Exposure	No
Picture overlay	Logo picture could be overlaid on video with 128x128pixels,24bits BMP format
Lens	
Focus length	f=4.8-120mm lens,25x optical zoom
Zoom Speed	Approx. 3.6s (optical zoom, wide-tele)
Field of View	Horizontal: 57.6 °to 2.5 °(wide-tele); Vertical: 34.4 °to 1.4 °(wide-tele); Diagonal: 64.5 °to 2.9 °(wide-tele)
Working distance	wide: 1.0m ~ INF; tele: 1.5m ~ INF
Aperture Range	F1.65 ~ F3.8 (wide-tele)
PTZ	
Pan Range	360 °endless
Pan speed	Configurable, from 0.1~80 %s; Preset speed: 150 %s
Tilt Range	From -3 °to 90 °
Tilt Speed	Configurable, from 0.1 ~ 80 %s, Preset speed: 120 %s
Proportional Zoom	Yes
Preset	360
Cruise	8 cruises, up to 16 presets for each cruises
Track	4 tracks, record time over 3 minutes for each track
Power off memory	Support
Action mode	Preset/Cruise/Trac/Auto Scan/Random Scan
3D Positioning	Support
PTZ Position Display	Support
Schedule Task	Preset/Cruise/Trace/Random Scan/Boundary Scanning /Dome reboot
IR	
IR Distance	150m (492 f.t.)
Smart IR	Yes, support facial exposure
Network	
Max Resolution	1920×1080
Main stream	1920×1080,1280×960,1280×720 (25/30fps)
Sub stream	25fps (704 × 576, 640 × 480, 352 × 288) 30fps (704 × 480, 640 × 480, 352 × 240)
Third Stream	25fps (1920 × 1080, 1280 × 960, 1280 × 720, 704 × 576, 640 × 480, 352 × 288) 30fps (1920 × 1080, 1280 × 960, 1280 × 720, 704 × 480, 640 × 480, 352 × 240)
SVC	Yes

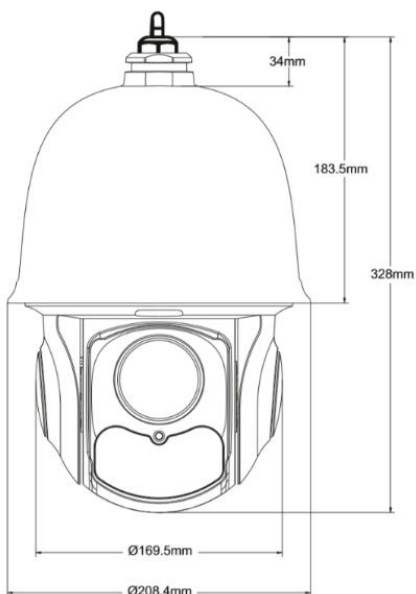
Video compression	Smart H.265+/H.265/H.264/MJPEG
Audio compression	G.711 A/U
Audio Enhancement	No
Protocols	HTTP, HTTPS, IPv4/IPv6, 802.1x, QoS, FTP, SMTP, UPnP, SNMP,DNS, DDNS, NTP, RTSP, RTCP, RTP, TCP/IP, UDP, IGMP, ICMP,DHCP, PPPoE
Simultaneous live view	Up to 6 channels
User / Host	Up to 16 users, 3 levels: Administrator, Advanced User and Normal User
Security Measures	User authentication (ID and PW), Host authentication (MAC address); HTTPS encryption, IEEE802.1x port-based network access control; IP address filtering
Smart Features	
Basic event	Motion detection, video tampering alarm, exception (network disconnected, IP address conflict, SD full, SD error) , defocus detection
Face Recognize /Compare	Default off, max 15 human faces per second.
People Density/LPR	Not support by this product
Smart Detection	Intrusion detection, Line crossing detection, Region entrance detection, Region exiting detection, Unattended baggage detection, Object removal detection, Scene change detection, Support alarm triggering by human or vehicle, filtering flag/animal.
Smart Tracking	Manual Tracking, Auto Tracking (human or vehicle by software setting)
System Integration	
Alarm Interface	1 Alarm input;1 Alarm output
Audio Interface	1 audio input(mic in); 1 audio output, line level, impedance,600Ω
Alarm Linkage	Alarm actions, such as Preset, Cruise, Track, Memory Card Video Record, Trigger Recording, Notify Surveillance Center, Upload to FTP/Memory Card, Send Email, etc.
Network Interface	1 RJ45 10M/100M Adaptive Ethernet (Support PoE 802.3.at,class 3)
CVBS	None
RS 485	None
SD Card Slot	One MicroSD/SDHC/SDXC card slot, up to 256G
API	ONVIF, support TVT SDK and third-party management platform
Client	TVT N9000 1.4.5, TVT NVMS 2.0; and the third-party client
Web Browser	IE8-11, Chrome41.0-44, Firefox30.0-51, Safari8.0-11
General	
Power	DC24V,AC24V or PoE+ (802.3.at, class 3), (Max 30W, include IR, Heater, Fan working, max 9W for IR)
Working condition	-30 ℃ ~ 60 ℃ (-22 ℉ ~ 140 ℉),90%RH less (non-condensing),Cold start at - 25 ℃
Storage condition	-40℃ ~ 65℃ ; ≤ 95% RH
Protection	IP66, 6000V Lightning Protection, Surge Protection and Voltage Transient Protection
Material	Aluminum Alloy + Plastic
Dimensions	Φ 209mm × 328mm (8.22" Φ × 12.91 ")
Weight	Approx. 3.7 Kg (8.31 lb.)
Certification	IP66,ROHS,CE,FC

DORI table

It is calculated based on the camera sensor specification and the criteria given by EN 62676-4: 2015.

DORI	Detect (human behaviours)	Observe (as Court level evidence)	Recognize (face ID, CPL)	Identify (human and his photo)
Define	25Pixels /meter	63Pixels/meter	125Pixels/meter	250pixels/meter
Distance	1600m (5249 f.t.)	635m (2083 f.t.)	320m (1050f.t.)	160m(525f.t.)

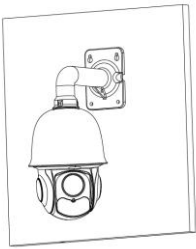
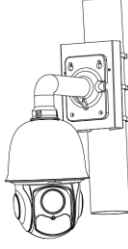
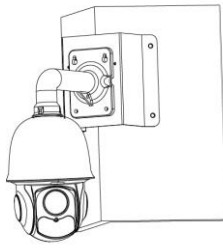

Dimensions:



Ordering information

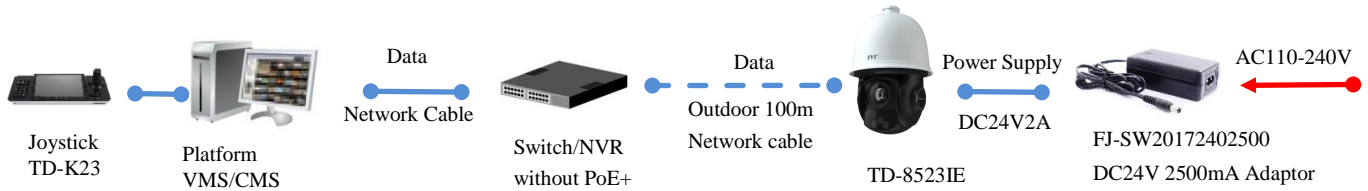
Camera	TD-8523IE(PE/25M/AR15)	5Inch 2MP 25X Starlight 150m IR Network PTZ Camera. Smart tracking, DC24V/AC24V/PoE+, IP66, -30°C~65°C, Not include Power adaptor and Bracket
--------	------------------------	---

Mounting Brackets Options:

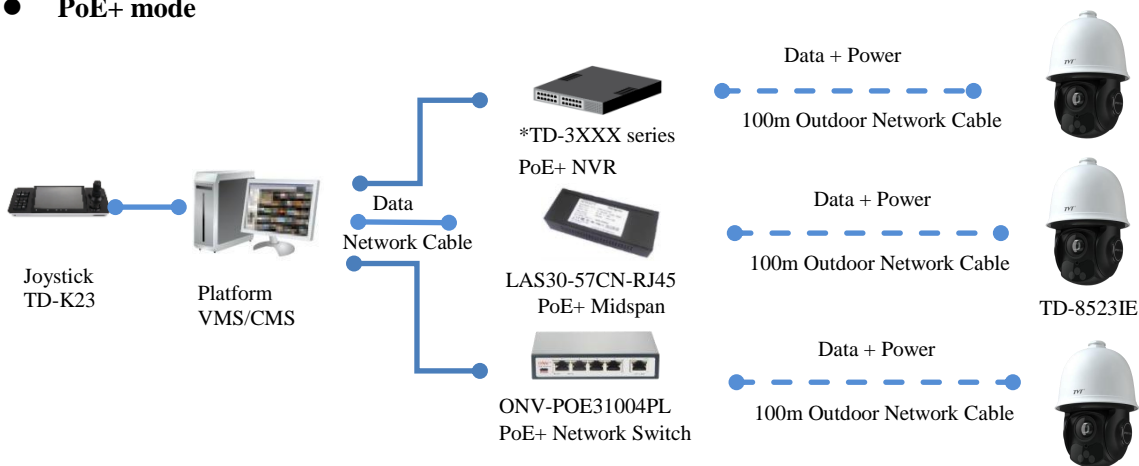
TD-YZJ0808 Wall mount	TD-YZJ0808+YZJ0501 Pole Mount	TD-YZJ0808+YZJ0601 Corner Mount	TD-YZJ0807 Pendant mount
			

Connection Options:

● Legacy connection mode



● PoE+ mode



* PoE+ Class NVR models:

TD-3308C1-8P, TD-3316C2-16P, TD-3316C4-16P, TD-3332C4-16P, TD-3304T1H-4P, TD-3308T1H-8P, TD-3316T2H-16P

Please contact your local sales for more information about production details.

* All accessories listed here have been tested for compatibility, other vendors are not guaranteed

* **All pictures and texts are for reference only. Actual product may vary due to product enhancement.**