

Manuals+

User Manuals Simplified.



SKYDROID T10 2.4GHz 10Ch FHSS Transmitter with R10 Mini Receiver User Manual

January 20, 2022 January 23, 2022

[Home](#) » [SkyDroid](#) » SKYDROID T10 2.4GHz 10Ch FHSS Transmitter with R10 Mini Receiver User Manual 📄

SKYDROID T10 2.4GHz 10Ch FHSS Transmitter with R10 Mini Receiver User Manual



*Tablet or mobile device not Included

WARNING:

Misuse of this product may result in injury, damage, or loss of property. Read the manual carefully before using this product. This item is not a toy. This item is intended for use by professional UAV operators and installers only. Do not use this product if you lack the knowledge and expertise to install and maintain UAV radio equipment. DO NOT use unapproved or unofficial components with this system. Operators must strictly follow the operation guides set forth in this manual. Skydroid does not accept any liability for the use or misuse of this product.

A.Description

1. Product features(Need buy separately)(Need buy separately) (1) Dual antenna plus dual RF module with integrated control algorithms ensuring reliable communication via full angle high gain antennas. The T10 uses the Latest in FHSS (Frequency Hopping Spread Spectrum) technology to achieve perfect control and operation.
2. Integrated with digital video transmission, farthest to 7KM.
3. Integrated with data transmission, farthest to 10KM. CU Parameter adjustments via APP with upgraded traditional OSD to touch panel control.
4. Connected via Bluetooth or USB, also supports S.BUS, PPM, PWM, Serial ports and external devices, etc.
5. Connects the APP via Bluetooth, switching the operation model, adjusting the data of forward and reverse, rudder volume, channel binding, runaway protection value, SBUS, PPM output, and digital baud rate. Providing parameter saving and loading functions.
6. Based on the "Tower" APP to ensure optimal compatibility with Pixhawk systems. A large map view allows for easy waypoint selection and route planning including one key return to home. The T10 Also supports Tower, QGC, JIYI, TOP GUN, and BUYING APR
7. Using 2 pcs of 18650 batteries(Need to buy separately), endurance over 25 hours with 20DBm transmission frequency.
8. High integrated datalink with video & data transmission and telemetry all-in-one unit. Ultra-small size, with folding brackets, strong and stable.
9. A number of optional cameras can be selected for your application, such as mini digital camera, digital camera with LED, 20 times zoom camera, etc.

Main application and range of usage

Specially designed for UAV, Helicopter, Fixed Wing, Multi Rotor, or Boat operation. In video transmission (optional camera), Data Link, and control of UAV.

TYPES, SPECIFICATION PRODUCT DATA

Receiver data

Model	R10	channels	10
Working voltage	4.5-5.5V	Working Current	100mA
Dimension	50*31~12(mm)	Weight	17 g

Controller data

Model	T10	channels	10
Working voltage	4.2V	Working Current	100mA
Frequency	2.400-2.483GHz	Modulation	New FHSS
Firmware	APP online	Weight	525g
Dimension	160*150*50mm	Battery Capacitor	18650, Batterhex 2 out
Duration	25(Hours)	Charge Port	MICRO-USB
Application	Helicopter Fixed-wing,Quadcopter,car,boat		

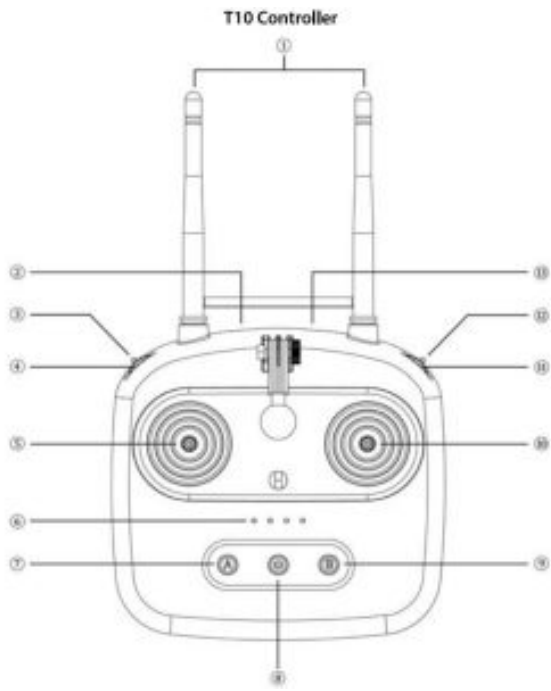
MINI Camera Specifications

Model	MENDHAM	Size	30*29*26mm
Working Current	180mA	Weight	15.6g

Contents [[hide](#)]

- [1 Order assignment](#)
- [2 Number Description](#)
- [3 Port Description](#)
- [4 Part List](#)
- [5 Environment Condition](#)
- [6 Working Condition Power supply](#)
- [7 Safety](#)
- [8 Operation](#)
- [9 Part 6: Q & A](#)
- [10 Maintainance, Servicing](#)
- [11 Transportation, Storage](#)
- [12 Scan the QR code to download the APP](#)
- [13 Documents / Resources](#)
 - [13.1 Related Manuals / Resources](#)

Order assignment



Number Description

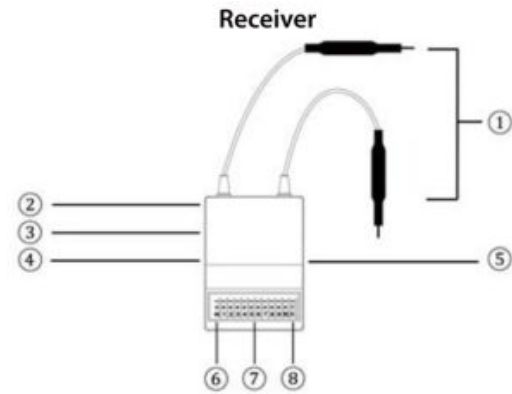
Number	Description	Number	Description
1	2.4G 3dB Antenna	8	Power on/off button
2	USB1/video output	9	Button B
3	Three lever switch E	10	Right joystick X2. Y2
4	Jog wheel C	11	Jog wheel D
5	Left joystick X1, Y1	12	Three lever switch F
6	battery indicator1.	13	Charging/data transmission
7	Button A		

Battery Level LED definition DON

● ON ○ OFF

Battery Level LED definition

●	●	●	●	75%-100%
●	●	●	○	50%-75%
●	●	○	○	25%-50%
●	○	○	○	0%-25%



Port Description

Name	Description
1	Antenna
2	Power indicator
3	Pairing button
4	Firmware updating
5	Antenna
6	Power indicator
7	Pairing button
8	Firmware updating

Part List

Name	Qty	Remarks
T10 Main unit	1 piece	
R10 Receiver	1 piece	
MENDHAM	1 piece	
Micro USB OTG cable	1 piece	For video transmission
Type C USB OTG cable	1 piece	For video transmission
Hexagon key	1 piece	For phone mount adjustment
Tools	1 piece	Change mode
Hanging strap	2 piece	
stick cap	2 piece	
Receiver indicator		Receiver status
Flashing in red		QC not passed, please return to factory
Red and green light rotates one time		QC passed
No green light on		No paired or main unit is off
Both colors light off		Checking the batteries' positive and negative

Environment Condition

PAY ATTENTION

a)Environment Temperature: -10 C —+55°C.

b)Storage Temperature: -25°C —+70°C

c. c)Relative Humidity: Do not exceed 85%.

d)Atmospheric pressure: 86kPa —106kPa.

e)Working environment should not contain explosive material or any corrosive or harmful gas that may cause interference in the operation of the product. f)Always work under shelter to prevent rain, snow, wind, sand, and dust contamination.

Working Condition Power supply

Pay attention

The T10 main unit (ground terminal) uses two pieces of 18650 batteries and is compatible with the standard micro USB, 5v power adapter (such as mobile phone, camera, and other digital products USB charger) to charge. In case of smoke, heat, or unusual an unusual smell please stop charging the controller immediately and return to our company for servicing as soon as possible. Do not leave the product unattended while charging. Do not leave the product in a place where children can reach. DO NOT charge when the room temperature is over 60° C.

Safety

WARNING Beginners should pay attention to the following! Please read it carefully! O DO NOT fly under the influence of substances, or when tired!



DO NOT fly in strong wind and or rainy conditions!



DO NOT fly close to electric emission towers, communication stations, and crowded areas!



DO NOT fly nearby airports and other prohibited areas!



DO NOT fly around people or animals, or in any location where possible to damage property.



Check equipment before every flight and carry out maintenance and repairs as needed.



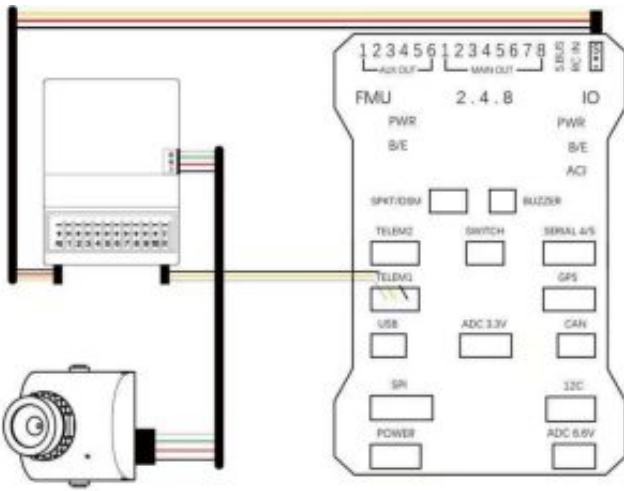
Use certified chargers to charge the batteries.



DO NOT put unnecessary force on antennas or electronic components to avoid damage.

Operation

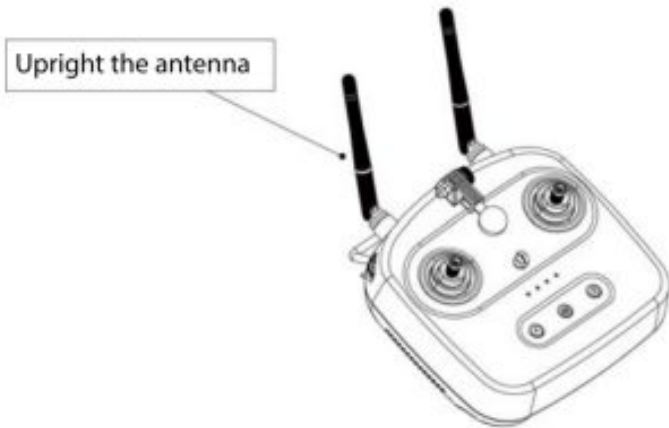
Please connect Rx as below shown:



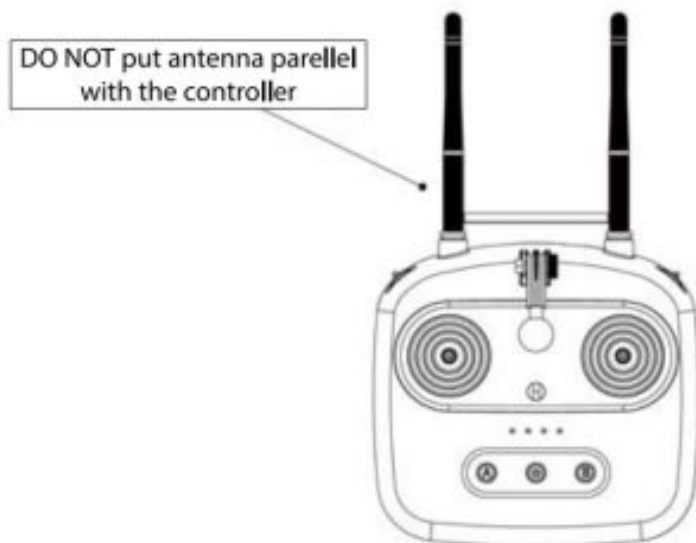
Pre-Check and Preparation
ATTENTION

1. Check T10 battery level.
2. Check the position of the antenna to get better performance.
3. Make sure the firmware is the latest version.
4. DO NOT operate under the influence of alcohol or drug.

T10 part illustration
Correct Position

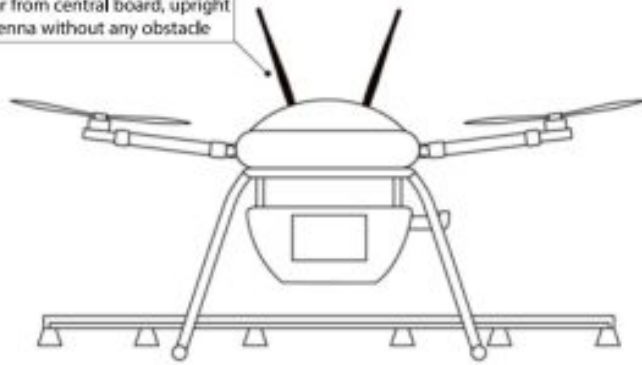


Incorrect operation

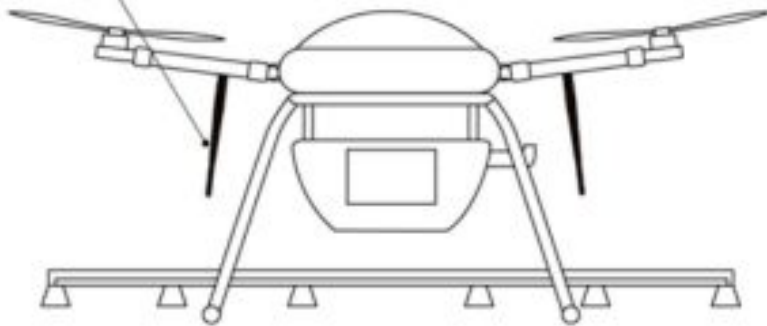


UAV Correct antenna position
Correct Position

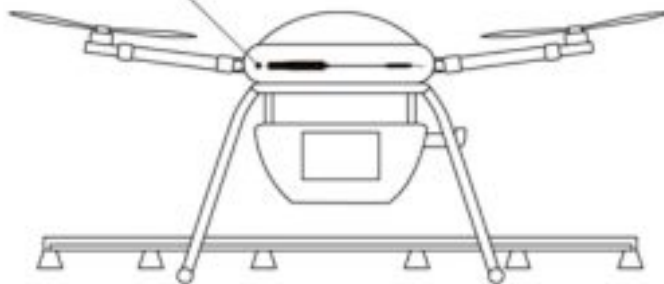
Place far from central board, upright
the antenna without any obstacle



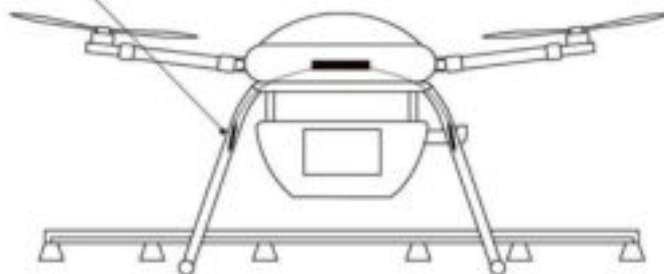
Or put under the drone arm



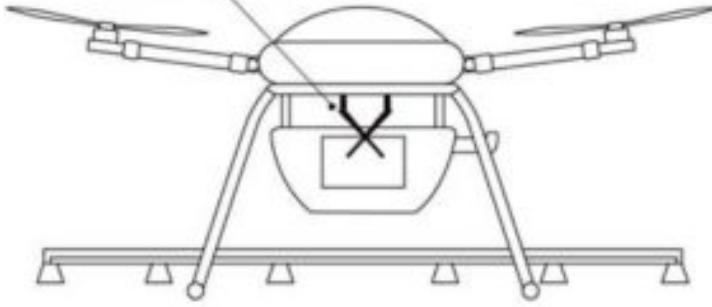
DO NOT put inside of the board



DO NOT place close to Carbon Fiber or Metal part



DO NOT cross the antenna between the central Flight control board and container



Part 1: Connect Device Helper

1. Confirm receiver and flight controller are ready, power up to make sure the receiver is running normally.
2. Only support the Android system.
3. Install APP (download from official website www.skydroid.xin: Device Helper).
4. Turn on the T10 (long time press), turn on Bluetooth on the phone, and search. Find: T10-XXX, select and enter the pairing code 1234, then the connection is successful.



Name	Purpose
Adjust Parameters	Adjust channel Nor/Rev, Channel binding, Failsafe value
Other Options	For the selection of subs, ppm output, and baud rate
Hand Settings	Support 4 different types of hand mode
Update Device	For online firmware upgrade

Adjust parameter: enter controller interface. APP read the current data of the controller and receiver. (Diagram 2).



(2)

Example:

- Channel 1: X2 has no Rev, Failsafe value is set to be 1500, min travel is 1000, max is 2000.
- Channel 2: Y2 has no Rev, Failsafe value is set to be 1500, min travel is 1000, max is 2000.
- Channel 3: Y1 has no Rev, Failsafe value is 900, min travel is 1000, max is 2000.
- Channel 4: X1 has no Rev, Failsafe value is set to be 1500, min travel is 1000, max is 2000.
-and vice versa, view adjustment horizontally is much easier for setting. Just tick-related item.

Attention

1. Please select the value between 900-2100, Failsafe holds select"0".
2. Please click SAVE at the right upper corner to keep the record. The selected value will be written to the controller and receiver.

Save and download the data (Diagram 3,4,5).

In order to quickly change from model to model, or large-scale setup, we can save the data in the APP so that you can find it out easily.

As illustrated: when finished the adjustment, click" then Save Configuration. Then rename the model and save it. Same as downloading the data.

Attention: Adjusted parameter only save in the APP, Click"write" to load data to the controller. Sound "Di" means communication succeeded.



(3)



(4)



(5)

Part 2: Receiver, Flight controller connection, and set up

1. Binding: Press the pairing button on the side of the receiver and hold for 2 seconds, you can enter the pairing mode, then the green light will flash. Meantime, turn on the main unit, can finish pairing. Once successful pair, the green indicator light will keep turning on.
2. Datalink pin as illustrated, use attached wire or DIY connector to flight control board. Tx pin of the receiver to Rx pin of the Flight control board.

Part 3: T10 Connect to Android phone

1. The connection between receiver and camera (example: mini digital camera), Power up the system. Please watch the video of connection in www.skydroid.xin.
2. Please go to www.skydroid.xin to download the Skydroid FPV.
3. Using Bluetooth to connect the T10 and the display(Please check part No.1). 4) Click"Yes" to confirm then the image will show on your phone. 5) Use of Skydroid FPV please go to the official website.

Part 4: How T10 connect to PC mission planner, QGC

1. Use two USB connectors cable to link between USB1 and USB port in PC. Select the port related to the ground station. Please select Baud Rate 115200 to link with the data port of the flight controller. (QGC, is- sionplanner need to add SDK of Skydroid to show image, undevelopment).
2. Use Microdata cable to connect USB2 and PC, select baud rate 57600 (Only support data not for video).

Part 5: How T10 to update firmware

1. Android update Download and install Device Helper before the upgrade.
2. T10 upgrade: connect T10 with the phone via Bluetooth, please check part no.1. Turn off the main unit, press and hold the button" A": and long time press the power button to turn it on, you will find button "A"s light flashing slowly, which means, it is downloading. Meanwhile, open the Skydroid Device app to click "updating",

choosing to update the controller, and click “checking to update”, if there’s new firmware released, please click “update at once”:

3. R10 update: connect R10 with the phone via Bluetooth, please make sure the main unit is turning on and paired with R10 (green indicator light turning on). Open the Skydroid Device app to click “updating”: choosing update the receiver, and click “checking to update”: if there’s new firmware released, please click “update at once”.

Part 6: Q & A

Q: What is the Video/Data distance of T10 in transmission?

A: Under an open area, the max distance of the video link is 7km while the data link is 10km.

Q: Does T10 support ppm, sbus?

A: Yes! Sbus port defaults in the first row. If you need ppm signal which can be switched in Device Helper App.

Q: How to define two antennas on T10?

A: Two antennas are 2.4ghz redundant design. We use diversity technology so both antennas perform data link and transmission.

Q: How to define two antennae on the receiver?

A: Two antennas on the Receiver are redundant design and telemetry.

Q: How to charge T10?

A: Use a micro USB cable that comes with a T10. Please use a certified 5v charger. LED status: LED flashing during charging and of when it is full.

Q: Where to watch the demonstration video of T10?

A: Please visit <http://www.skydroid.xin> and watch the video.

Q: How to power on/of the T10?

A: long-press the power switch.

Q: No LED indication on the receiver when plugging into the flight control board?

A: T10 is the power of; if the case still exists, check battery status(short press power switch to check the battery level), if not binding, then bind it.

Q: How to change Mode?

A: Monitor system linked up with the radio by Bluetooth, then open Device Helper to select mode 1 or mode 2 and saved. No need to set the others.

Q: How many times of command is being sent out per second? A: 300 times per second.

Q: Does T10 bind with the new receiver? A: T10 sends a binding signal with ID to bind a new receiver. Once bound to the new one, the old receiver needs to rebind afterward.

Q: What is the definition of the sound buzzer? A: 3 short beep-power on. 4 short beep- binding succeeded, continues short beep-battery low level; slow continues beep-receiver not turn on or disconnected.

Maintenance, Servicing

Storage for not using certain period Put T10 in a dry and ventilated area. No direct Sunlight to prevent harm to the internal Lipo battery. If store it over three months, it is highly recommended to put room temperature between 22C to 28C. DO NOT put it below 20C or higher than the 45°C areas.

Transportation, Storage

WARNING

In order to prevent lost or getting hurt, Please strictly follow the rules of operation: Keep small parts or wires away from children can reach. DO NOT let children touch the small parts of T10.

ATTENTION

1. DO NOT put T10 into water. If it does, please switch off the power and dry it.
2. DO NOT crash the T10 or break the battery is prohibited.

Scan the QR code to download the APP

If download failed,search www.skydroid.xin



Device Helper



Skydroid FPV



Skydroid Tower

<http://app.mi.com/details?id=com.shenyaocn.android.m11updater>

<http://app.mi.com/details?id=com.shenyaocn.android.fuav>

<http://app.mi.com/details?id=org.droidplanner.android.fuav>

Device Helper in use of adjustment of radio parameter, firmware upgrade, save models, mode change, etc.

Skydroid FPV in use of linking Skydroid video, floating window can be top of others App(need to turn on floating window feature in Android system), use for VR, Video capture and Data rate adjustment).

Skydroid Tower—optimized by tower 4.0, can connect to mavlink protocol of APM,

PX4 flight controller to realize waypoint data telemetry. Also has a video serial port (similar to DJI go).

ATTENTION

You need to wire connect with the Skydroid FPV to open the floating window. Activate QGC and connect with Bluetooth to start telemetry. In the future, when QGC joins Skydroid SDK then the operation will be as simple as Skydroid Tower. No need to connect Bluetooth and no need to multiply another APP on QGC. Very simple. Highly recommend using Skydroid tower.

FCC Statement

This equipment has been tested and found to comply with the limits for a Class B digital device, pursuant to Part 15 of the FCC Rules. These limits are designed to provide reasonable protection against harmful interference in a residential installation. This equipment generates uses and can radiate radio frequency energy and, if not installed and used in accordance with the instructions, may cause harmful interference to radio communications. However, there is no guarantee that interference will not occur in a particular installation. If this equipment does cause harmful interference to radio or television reception, which can be determined by turning the equipment of and on, the user is encouraged to try to correct the interference by one or more of the following measures:

- Reorient or relocate the receiving antenna.
- Increase the separation between the equipment and receiver.
- Connect the equipment into an outlet on a circuit different from that to which the receiver is connected.
- Consult the dealer or an experienced radio/TV technician for help.

This device complies with part 15 of the FCC Rules. Operation is subject to the following two conditions:

1. This device may not cause harmful interference.
2. This device must accept any interference received, including interference that may cause undesired operation.

Changes or modifications not expressly approved by the party responsible for compliance could void the user's authority to operate the equipment.

portable device statements

The device has been evaluated to meet general RF exposure requirements.

The device can be used in portable exposure conditions without restriction.

SKYDROID Quanzhou Skydroid Technology Co., Ltd.



Facebook



YouTube

<https://www.youtube.com/channel/UC0MTRG8A1b5lluyXuesqwx>

<https://qrs.ly/8za94su>

www.skydroid.xin

Documents / Resources



[SKYDROID T10 2.4GHz 10Ch FHSS Transmitter with R10 Mini Receiver](#) [pdf] User Manual

QZYZR10, 2ATGZQZYZR10, T10 2.4GHz 10Ch FHSS Transmitter with R10 Mini Receiver, 2.4GHz 10Ch FHSS Transmitter with R10 Mini Receiver, R10 Mini Receiver, 2.4GHz 10Ch FHSS Transmitter, Transmitter

Related Manuals / Resources

[XTREME XBA9-1017-BLK 2-In-1 Transmitter Receiver User Manual](#)

XBA9-1017-BLK 2-In-1 Transmitter Receiver



[nedis Wireless Doorbell Transmitter Receiver Instructions](#)

DOORB112WT Wireless doorbell-Transmitter/Receiver Description (fig. A) 1. Transmitter • Refer to the illustration (fig. 61) to install the...



[i3-TECHNOLOGIES i3SYNC Transmitter/Receiver User Guide](#)

i3SYNC TRANSMITTER Quick start guide Let's see what's in the box. i3-Technologies is conscious of the environmental impact...



[BliTZWOIF BW-BR7 Bluetooth Music Receiver and Transmitter User Manual](#)

BW-BR7 Bluetooth Music Receiver and Transmitter User Manual Product description Power Switch Mode switch LED Working Space 1...

[Manuals+](#)

- [home](#)
- [privacy](#)