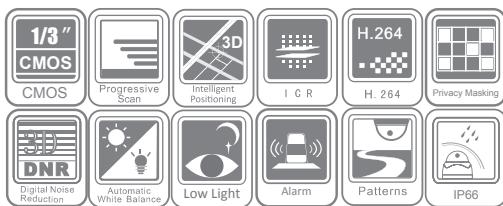


Smart PTZ Dome

DS-2DF5276

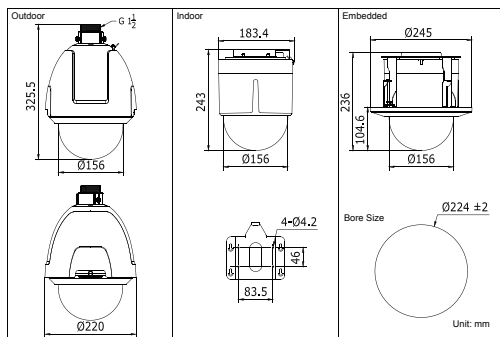
1.3MP 30X Network PTZ Dome Camera



Key features

- 1/3" Progressive Scan CMOS
- 30X optical zoom, 16X digital zoom
- Smart Tracking, Defog, ROI encoding, HLC
- 3-Streams
- True Day/Night, 3D DNR, Digital WDR
- 3D intelligent positioning
- High-PoE / PoE+ / 24VAC power supply

Dimensions



Accessories



DS-1614ZJ

DS-1633ZJ

DS-1622ZJ

DS-1634ZJ

	DS-2DF5276-A (outdoor) DS-2DF5276-A3 (indoor) DS-2DF5276-AE3 (indoor)	DS-2DF5276-AEL (outdoor)
Camera		
Image Sensor	1/3" Progressive Scan CMOS	
Effective Pixel	1320K pixels	
Min. Illumination	Color : 0.05 lux (F1.6, AGC On), B/W : 0.005 lux (F1.6, AGC On)	
White Balance	Auto / Manual / ATW / Indoor / Outdoor / Daylight lamp / Sodium lamp	
AGC	Auto / Manual	
S / N Ratio	≥ 50dB	
Digital Noise Reduction	3D DNR	
Backlight Compensation	HLC / BLC	
Wide Dynamic Range	Digital WDR	
Shutter Speed	50Hz: 1~ 1/30,000s; 60Hz: 1~ 1/30,000s	
Day & Night	IR Cut Filter	
Digital Zoom	16X	
Privacy Masking	Up to 24 zones, maximum 8 zones on a same image, multiple colors and mosaics optional	
Focus Mode	Auto / Semiautomatic / Manual	
Lens		
Focal Length	4.3 ~ 129.0mm, 30x	
Zoom Speed	Approx 3s(Optical Wide-Tele)	
Angle of View	57.4 ~ 2.8 degree (Wide-Tele)	
Min. Working Distance	10 ~ 1,500mm(Wide-Tele)	
Aperture Range	F1.6 ~ F5.0	
Pan and Tilt		
Smart tracking	Support	
Pan / Tilt Range	Pan: 360° endless; Tilt: -5° ~ 90°(Auto Flip)	
Pan / Tilt Speed	Pan Manual Speed: 0.1° ~ 300°/s, Pan Preset Speed: 540°/s Tilt Manual Speed: 0.1° ~ 240°/s, Tilt Preset Speed: 400°/s	
Proportional Zoom	Rotation speed can be adjusted automatically according to zoom multiples	
Number of Preset	256	
Patrol	8 patrols, up to 32 presets per patrol	
Pattern	4 patterns, with the recording time not less than 10 minutes per pattern	
Power-off Memory	Support	
Park Action	Preset / Patrol / Pattern / Pan scan / Tilt scan / Random scan / Frame scan / Panorama scan	
PTZ Position Display	On / Off	
Preset Freezing	Support	
Scheduled Task	Preset / Patrol / Pattern / Pan scan / Tilt scan / Random scan / Frame scan / Panorama scan / Dome reboot/Self-test action/Alarm output	
Alarm		
Alarm Input	7	
Alarm Output	2 relay outputs, alarm response actions configurable	
Alarm Actions	Preset, Patrol, Pattern, SD/SDHC card recording, Relay output, Notification on Client	
Input/ Output		
Video Output	1.0V[p-p] / 75Ω, PAL / NTSC composite, BNC	
Audio Input	Audio input (Line input), 2-2.4V[p-p]; output impedance: 1KΩ, ±10%	
Audio Output	Line level, impedance: 600Ω	
Network		
Ethernet	10Base-T / 100Base-TX, RJ45 connector	
Max. Image Resolution	1280x960	
Frame Rate	50Hz:25fps(1280x960), 25fps (1280x720) 60Hz:30fps(1280x960), 30fps (1280x720)	
Image Compression	H.264/MJPEG/MPEG4, H.264 encoding with Baseline/Main/High profile	
ROI encoding	Support 24 areas with adjustable levels	
Audio Compression	G.711u /G.711a /G.726	
Protocols	IPv4/IPv6, HTTP, HTTPS, 802.1x, Qos, FTP, SMTP, UPnP, SNMP, DNS, DDNS, NTP, RTSP, RTP, TCP, UDP, IGMP, ICMP, DHCP, PPPoE	
Simultaneous Live View	Up to 10	
Streams	Three Streams	
Mini SD Memory Card	Built-in SD/SDHC Slot, up to 32GB, support manual / alarm / edge recording	
User/Host Level	Up to 32 users, 3 Levels: Administrator, Camera control, Live view only	
Security Measures	User authentication (ID and PW), Host authentication (MAC address), IP address filtering	
Integration		
Application programming	Open-ended API, support Onvif, PSIA and CGI	
Web Browser	IE 7, IE 8, IE 9, Chrome 8+, Firefox 3.5+, Safari 5+, support multi-language	
General		
RS-485 Protocols(optional)	HIKVISION, Pelco-P, Pelco-D, self-adaptive	
Power	24 VAC / PoE+: Outdoor dome: Max. 40W (heater: 20W); Indoor dome: Max. 20W	24 VAC: Max. 65W (heater: 45W) High-PoE Max. 40W (heater: 20W) PoE+: Max. 25W (heater: 5W)
Working Temperature	Outdoor dome: -30°C ~ 65°C(-22°F ~ 149°F); Indoor dome: -10°C ~ 50°C(14°F ~ 122°F)	24 VAC: -40°C ~ 65°C(-40°F ~ 149°F) High-PoE: -30°C ~ 65°C(-22°F ~ 149°F) PoE+: -20°C ~ 65°C(-4°F ~ 149°F)
Humidity	90% or less	
Protection Level	IP66 standard (outdoor dome) TV5 4,000V lightning protection, surge protection and voltage transient protection	
Dimensions	Φ220x325.5mm (Φ8.66"x12.81")(Outdoor) Φ183.4x243mm (Φ7.22"x9.57")(Ceiling) Φ245x236mm (Φ9.65"x9.29")(In-ceiling)	
Weight (approx.)	5Kg (11.02lbs)	
Mount Option (for outdoor models)	Long-arm wall mount: DS-1614ZJ; Corner mount: DS-1633ZJ; Pole Mount: DS-1622ZJ; Power box mount: DS-1634ZJ	

Order models

DS-2DF5276-A: 24VAC, outdoor
DS-2DF5276-A3: 24VAC, indoor

DS-2DF5276-AEL: High-PoE & PoE+ 24VAC, outdoor
DS-2DF5276-AE3: PoE+ & 24VAC, indoor

NOTE: indoor models support ceiling and in-ceiling mount.