

enerSol



EnerSol 145

+ 0/+5 WP POSITIVE TOLERANCE

🏠 OFF-GRID USE

✓ HIGH QUALITY

25 year linear performance warranty
10 year product warranty

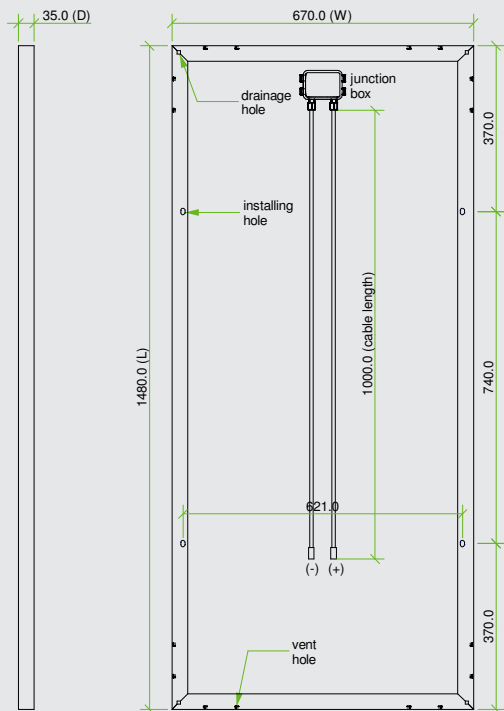


enerSol

High quality solar panels
designed for off-grid use

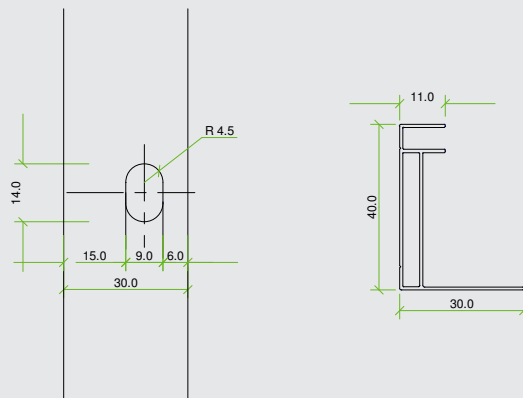


EnerSol 145



General characteristics

| | |
|----------------------------|--|
| Cell | polycrystalline solar cell 156 x 156 mm |
| No. of Cells (Connections) | 36 (4x9) |
| Panel Dimensions | 1480 x 670 x 35 mm |
| Weight | 11.6 kg |
| Connectors and Cables | Connectors and 1m cables |



Thermal conditions

| | |
|---|-------------|
| Normal Operating Cell Temperature 800W/m ² Irradiance, 20°C, AM = 1.5 | 48°C ± 2°C |
| Power Temperature Coefficient | - 0.5%/K |
| Current Temperature Coefficient | 0.035%/K |
| Voltage Temperature Coefficient | - 0.37 MV/K |

Limits

| | |
|------------------------|----------------|
| Operating Temperature | - 40°C to 85°C |
| Maximum System Voltage | 1000V DC |

Electric performance at STC *

| | |
|-----------------------|---------|
| Maximum Power | 145 Wp |
| Power Tolerance | 0/+5 Wp |
| Maximum Power Voltage | 18 V |
| Maximum Power Current | 8.05 A |
| Open Circuit Voltage | 22.6 V |
| Short Circuit Current | 8.72 A |

*Standard Test Conditions : 1000W/m² irradiance, 25°C and AM = 1.5

High performance

25 25 Years
linear performance

10 10 Years
product warranty

