

# enerSol



## EnerSol 20

**+ 0/+5 WP POSITIVE TOLERANCE**

**🏠 ROOFTOP AND OFF-GRID DESIGN**

**✓ HIGH QUALITY**

25 year linear performance warranty  
10 year product warranty

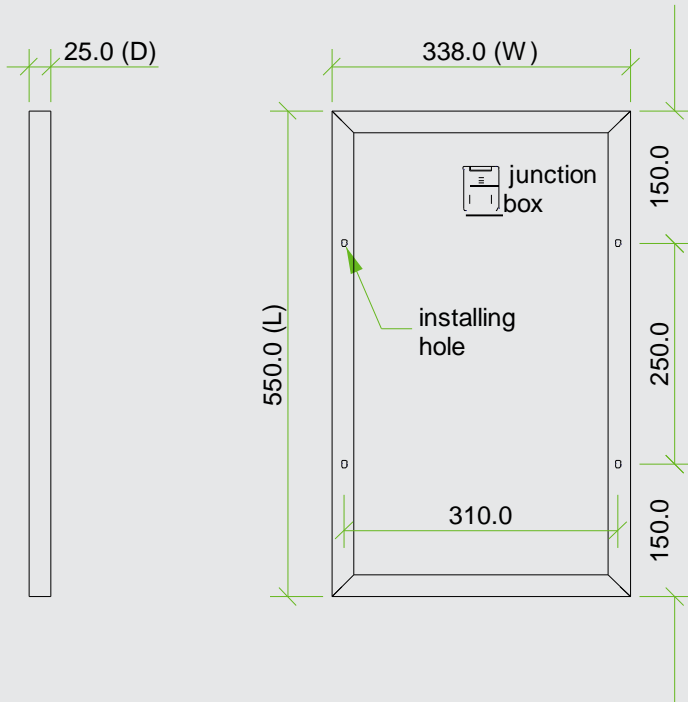


# enerSol

High quality solar panels designed  
for rooftop and off-grid applications

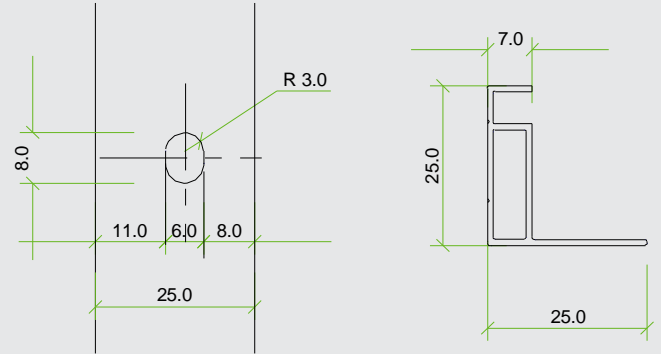


# EnerSol 20



## General characteristics

Cell	Polycrystalline solar cell 78 x 52 mm
No. of Cells (Connections)	36 (6x6)
Panel Dimensions	550 x 338 x 25 mm
Weight	2.5 kg
Connectors and Cables	Available upon request



## Thermal conditions

Normal Operating Cell Temperature 800W/m <sup>2</sup> Irradiance, 20°C, AM = 1.5	48°C ± 2°C
Power Temperature Coefficient	- 0.5%/K
Current Temperature Coefficient	0.035%/K
Voltage Temperature Coefficient	- 0.37 MV/K

## Limits

Operating Temperature	- 40°C to 85°C
Maximum System Voltage	1000V DC

## Electric performance at STC \*

Maximum Power	20 Wp
Power Tolerance	0/+5 Wp
Maximum Power Voltage	18 V
Maximum Power Current	1.11 A
Open Circuit Voltage	21.6 V
Short Circuit Current	1.28 A

\*Standard Test Conditions : 1000W/m<sup>2</sup> irradiance, 25°C and AM = 1.5

## High performance

**25** 25 Years  
linear performance

**10** 10 Years  
product warranty

