




Product information EWM124 PVC4x034L0200 50

Industrial Connecting Solutions:Archive - Industrial Connectors:Circular Connectors E-series M12 / M12 push-pull (Archive):with screw locking:Angled cable plug with integrally molded lead:EWM124 PVC4x034L0200 50

<http://www.e-catalog.beldensolutions.com/link/57078-24228-62529-24256-24257-24266-34309/en/conf/uistate>

Name	EWM124 PVC4x034L0200 50
	
	Angled cable plug, with integrally molded lead, self-securing screw locking
Delivery informations	
Availability	no longer available
Product description	
Description	Angled cable plug, with integrally molded lead, self-securing screw locking
Type	EWM124 PVC4x034L0200 50
Order No.	934 404-100
Other standard types	black housing, cable material PVC, cable length 5 m: order no. 934 404-102; black housing, cable material PUR, cable length 2 m: order no. 934 404-201; cable length 5 m: order no. 934 404-202
Type of contact	male
Number of contacts	4
Cable material	PVC
Cable color	black
Cable length	2 m
Conductor size	0.34 mm ²
Cable specification	high flexible lead
Cable type	LiYY
Standard	IEC 61076-2-101 (Ed. 1)/ IEC 60947-5-2
Housing Color	black
Technical data	
Pin dimensions	1 mm
Wire stranding	42 x 0.1
Rated voltage	AC/DC 250 V
Rated current	4 A
Material	
Contact material	Cu Sn 6
Contact surface material	Au
Contact bearer material	PUR
Housing material	PUR
Coupling nut material	Zn Al/Ni
Environmental conditions	
Protection class (IEC 60529)	IP 68
Pollution severity	3
Temperature range	-25°C to +90°C (connector)/+70°C (cable)
Inflammability class	
Cable	fire resist. IEC 60332-1
Contact bearer	94 HB
Approvals	
UL	UL version on request
Packing unit	
Packaging unit	50 pieces



HIRSCHMANN

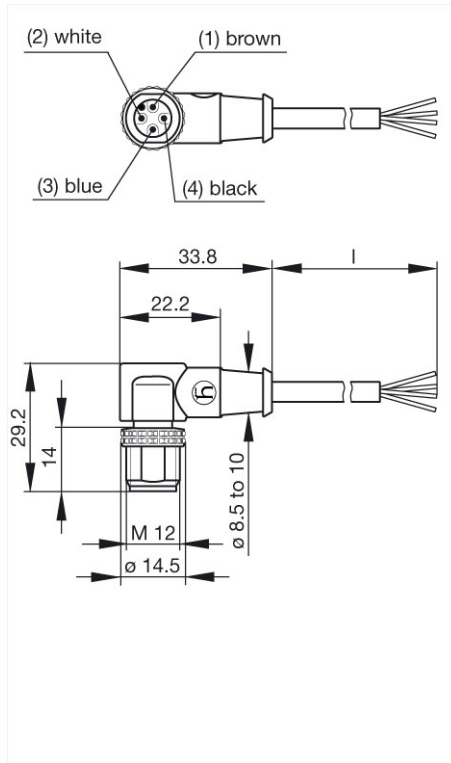
A BELDEN BRAND

Industrial Connecting Solutions:Archive - Industrial Connectors:Circular Connectors E-series M12 / M12 push-pull (Archive):with screw locking:Angled cable plug with integrally molded lead:EWM124 PVC4x034L0200 50

<http://www.e-catalog.beldensolutions.com/link/57078-24228-62529-24256-24257-24266-34309/en/conf/uistate>

Picture

Drawing



Belden Deutschland GmbH

Im Gewerbepark 2
58579 Schalksmühle
Germany
Phone: +49 7127/14-1806
E-Mail: icos-sales@belden.com

The information published in the websites has been compiled as carefully as possible. It is subject to alteration without notice in technical as well as in price-related/commercial respect. The complete information and data were available on user documentation. Mandatory information can only be obtained by a concrete query.