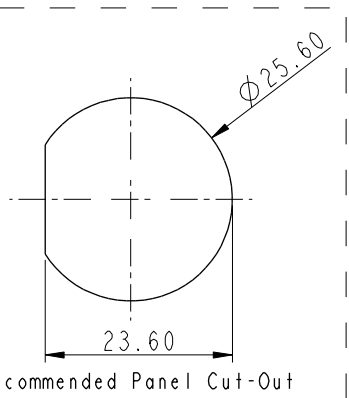
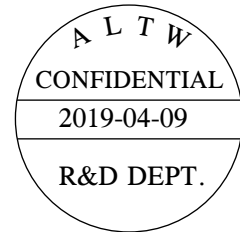
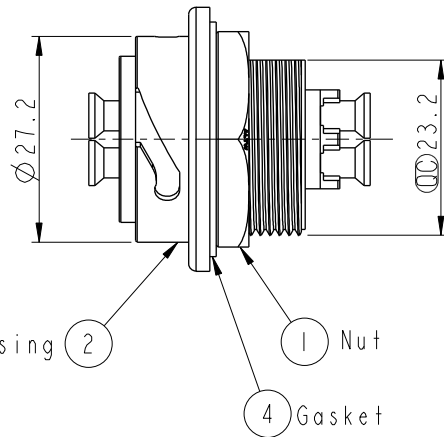
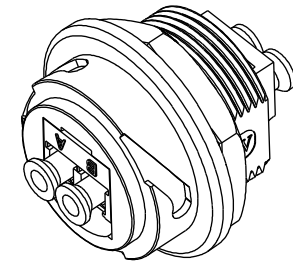
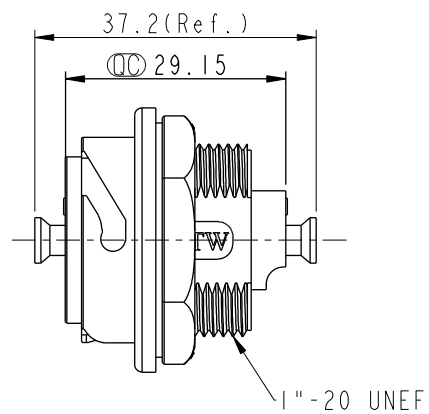
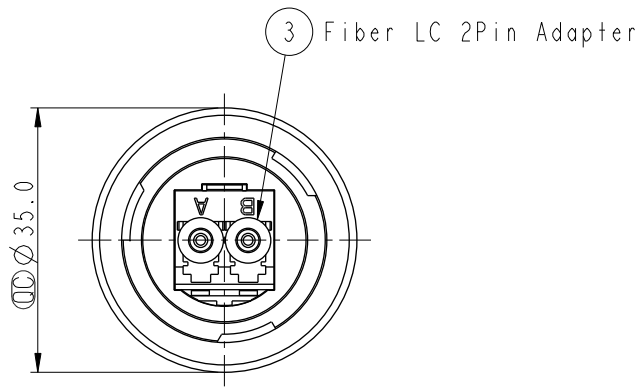


REV.	ECN NO.	DATE	SIGN	DESCRIPTION
B	LEN1330108	2013/03/27	Mila	Change Housing
C	LE31810053	2018/01/16	Lingpeng	Change The Material Of Housing
D	CI90517	2019/04/09	Vicky	Change Note



- Note:**
- * \varnothing Important Dimension.
 - * Wapterproof Rate: IP67, Mated.
 - * Nut: Thermoplastic, Black.
 - * Housing: Thermoplastic, Black.
 - * Fibre Adapter: LC 2P Adapter
 - * Gasket: Rubber, Gray.
 - * For Panel Thickness Max 4.0mm
 - * Gasket and Nut are packed separately in PE bags.

UNIT:mm		TITLE	OPTICAL FIBER PANEL TYPE 2PIN LC ADAPTER CONN.		
TOLERANCE	±0.50	SCALE	1:1	SIZE	A4
		REV.	D	WC-REV.	B.3
				\varnothing	Inspection item

Amphenol LTW
安費諾亮泰企業股份有限公司

ITEM NO	FB-00RLFJ-TC7001	DRAWN BY	Vicky	DATE	2019-04-09
DWG NO	FB-00RLFJ-TC7001	CHECKED BY	Rita	DATE	2019-04-09
CUSTOMER	ALTW	APPROVED BY	Max	DATE	2019-04-09

THIS DOCUMENT IS SUBJECT TO CHANGE WITHOUT NOTICE. IT IS CONFIDENTIAL AND A PROPERTY OF Amphenol LTW. DISCLOSURE TO THIRD PARTY HAS TO BE AUTHORIZED BY Amphenol LTW.