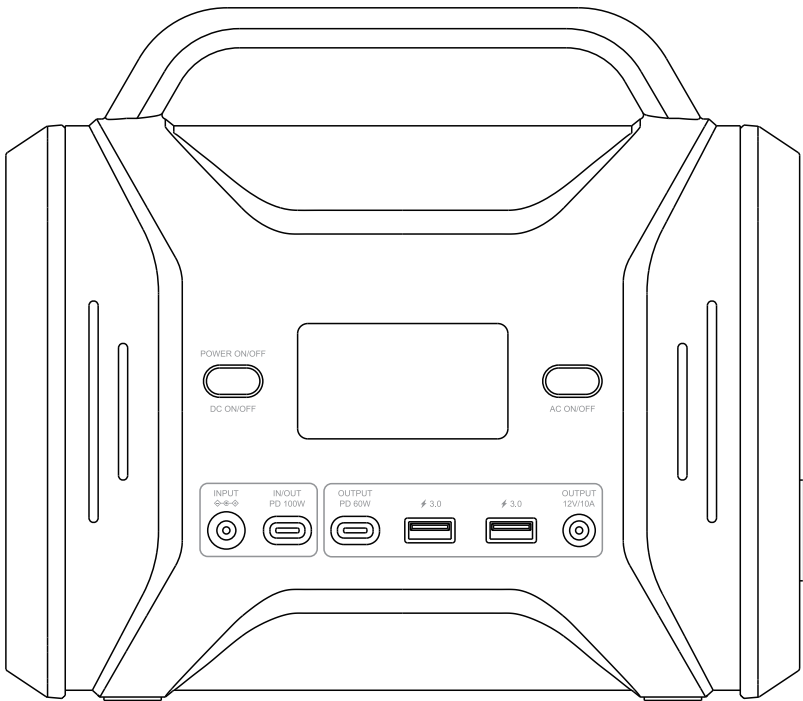




300W Portable Power Station

SO/PPS300W Instruction Manual





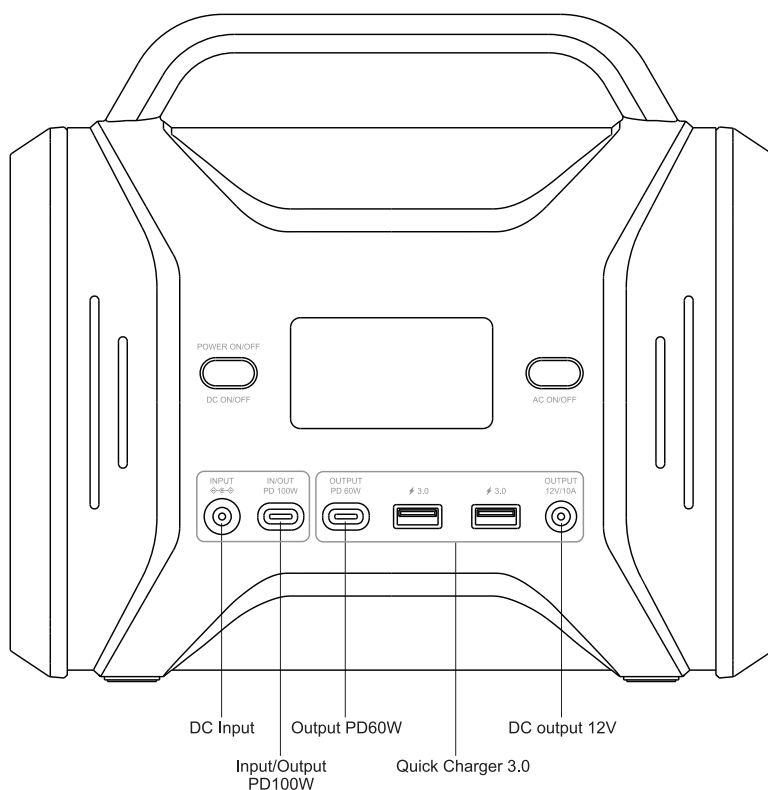
Instruction Manual

SO/PPS300W Portable Power Station (300W)

Don't worry about the lack of outdoor power, use the Portable Power Station, you can easily maintain a state of charge on the go. There is no need to worry about sudden power failure or the dark night outdoors, portable power station offers you great power supply and confidence in the wild!

Attention:

1. Specifications and images in this manual are for reference only.
2. This product is for emergency use only.
3. Fully charge the product before using if for the first time (minimum 10 hours), Once the battery bar no longer flashes it is fully charged.





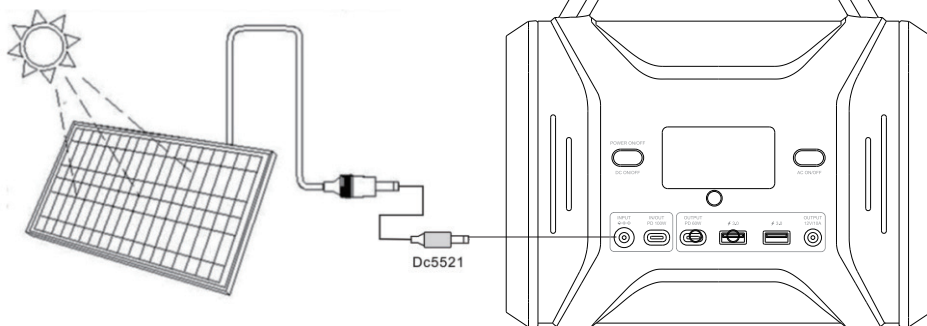
Charging Your Product

ATTENTION: If the ambient temperature is too high or the battery temperature is higher than 60°C due to continuous high-power discharge, the product cannot be charged. When the battery temperature is less than 55°C, the charging function will automatically resume. If it is not used for a long time, it is best to fully charge it every three months before storing; it is best to fully charge the battery.

1. LCD Battery Display

There are 5 segments to the battery, approximating 20%-40%-60%-80%-100% capacity. As you use your product, segments will disappear from the display, indicating the remaining charge. When charging your product you will notice a battery segment blinking at a 1 second interval status. Once your product is fully charged, all battery segments will be lit and remain solid.

2. Charge Through Flash Portable Solar Panel

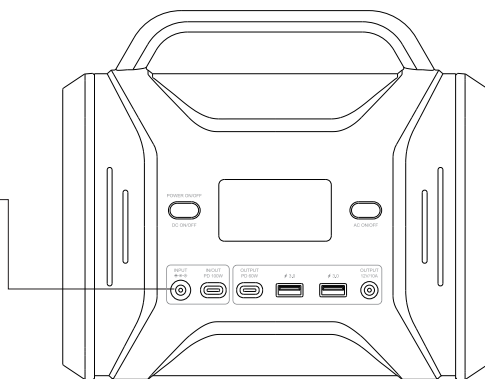


- A. Place your Flash Portable Solar Panel where it will get as much strong direct sunlight as possible.
- B. Connect the output port of the Flash Portable Solar Panel with the input port of the product to start charging. You will know the product is being charged when the LCD display indicators blink. The product is fully charged when all battery indicators stop blinking and remain solid.

Notes:

The actual charging efficiency can vary widely depending on weather, ambient temperature, sunlight's strength, the angle that the Flash Portable Solar Panel faces to direct sunlight and other factors. The maximum output voltage of the Flash Portable Solar Panel should not exceed 23.5V. It is recommended to use Flash Portable Solar Panels with an open circuit output voltage of 10.8-23.5V. The maximum electric current can reach A3.

3. Charge Through AC Adapter

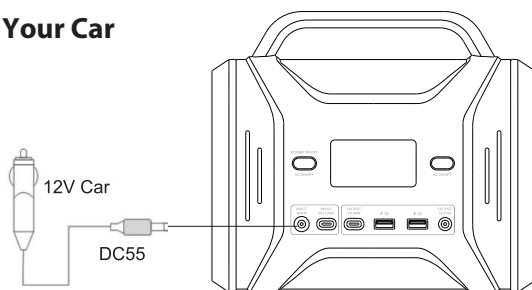


Plug the original adapter into the machine's DC input port and you will see the battery indicators on the screen blink.

Notes:

- A. The battery is fully charged when all battery level segments stop blinking and remain solid. After the battery is fully charged it is best to unplug the charging cables. The battery will not over charge, but removing the cables is the best practice.
- B. Usually, it takes around 7 hours to fully charge the battery using the AC power adapter.
- C. When you charge your power station by the INPUT port, the PD 100W port can't be used as an output

4. Charge Through Your Car



- A. Plug the original car charger into the cigarette lighter socket of your 12V car, and then plug into the DC input port of the machine.
- B. The original car charger features a 10A protector tube to protect your car.
- C. You will know the machine is being charged when the battery indicators blink.

Notes:

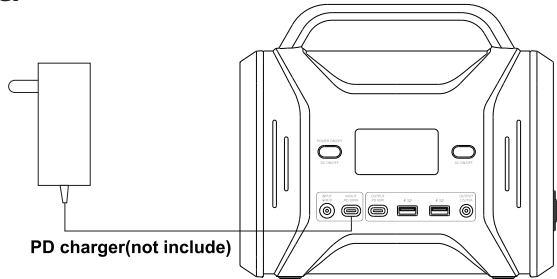
To avoid car battery power loss, you should charge this product through your car cigarette lighter only when your car engine is started. This function is for 12V car ONLY.

Protection mode (DC Input)

- A. Depending on your car model, it may not be fully charged.
- B. Under-voltage protection: The power generator can't be charged if the voltage of your car is too low.

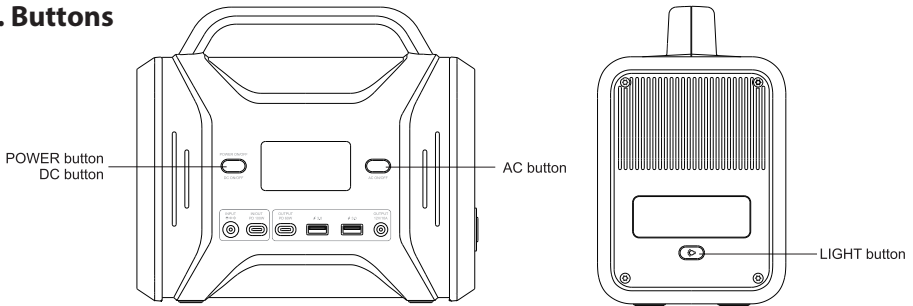
5. Charge Through PD Charger (PD charger not included)

Plug your PD charger into the PD 60W IN/OUT Dock.



Using Your Product

1. Buttons



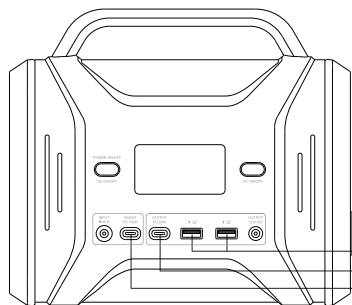
- A. Long press the power button for 3 seconds to turn the machine on. Short press the power button to turn on the DC function. When not in use, press the power button to turn off the DC function.
- B. Long press the AC button to turn off the sound, long press the AC button again to turn on the sound.
- C. Press the Power button and Light button simultaneously to restart the machine.
- D. Press the Power button and AC button simultaneously to switch the frequency of the machine.

2. Light Modes

- A. Press this button to turn on the light, high-light mode.
- B. Press this button again to change the light mode into low-light mode.
- C. Press this button again to change the light mode into SOS.
- D. Press the button again to change the light mode into flash mode.
- E. Press the button again to turn off the light.

Warning! DO NOT stare straight into the light

3. USB Output Function



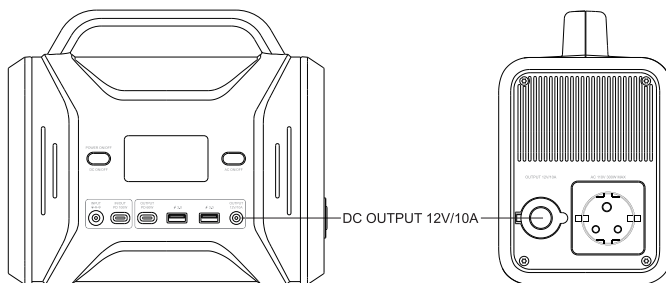
When two USB-A ports are used simultaneously, the two ports can only output 5V/3.8A in total. Cannot enter fast charge mode.

Quick Charger 3.0: 5V \rightarrow 3A, 3.6V \rightarrow 6V \rightarrow 3A, 6V \rightarrow 9V \rightarrow 2A, 9V \rightarrow 12V \rightarrow 1.5A

PD Output: 60W 5V \rightarrow 3A, 9V \rightarrow 3A, 12V \rightarrow 3A, 15V \rightarrow 3A, 20V \rightarrow 3A

PD Input/Output: 100W 5V \rightarrow 3A, 9V \rightarrow 3A, 12V \rightarrow 3A, 15V \rightarrow 3A, 20V \rightarrow 5A

4. DC Outputs



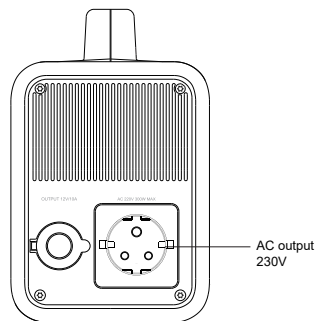
- A. The cigarette lighter and the DC5521 (5.5mm in diameter) 11.2-14.6V ports offer max 10A output current and automatically distribute max current according to the external connected devices to ensure shortest charging time.
- B. The DC5521 port can be connected with a cigarette lighter (power requires no more than 100W).

Notes:

When the product's AC, DC and USB output at the same time, and the total battery current is greater than 38A, after 3 minutes of operation, the product's buzzer will alarm, and the LCD screen will display the fault code E11. If the alarm continues for more than 30 seconds, it has not been cleared. The product will forcibly turn off the DC output to reduce the total output current of the battery and ensure the safety of the product. When the DC output is turned off due to overload, please do not force it to turn on again by pressing the button. When the battery voltage is less than 11.2V, the DC output function will be forcibly closed, and it needs to be charged to release it.

Protection mode (DC Output)

Short circuit protection: when short-circuit occurs to the external devices, the machine starts beeping and stops charging.



5. AC Output Function

- A. Plug the power cable of the AC appliance into the AC outlet of the machine. Press the power button to enter AC mode.
- B. Make sure the power of the connected AC appliance is less than 300W.

Notes:

When there is no operation, the LCD screen backlight will automatically become dim after 2 minutes. When the machine is not working, it will automatically shut down. When the battery voltage is less than 11.2V, the AC output function will be forcibly closed, and it needs to be charged to be released. The AC output is automatically closed after 8 hours of inactivity. When not in use, please turn off the AC power.

Protection mode (AC Output)

- A. This product has undervoltage protection; overload protection; short circuit protection. The over temperature protection adopts double isolation circuit, which is safe, reliable and efficient.
- B. When overload, over temperature or short circuit occurs, this machine will start beeping and the AC icon on the screen will flash, and then the machine automatically shuts down to ensure safety.

Product Specifications:

Battery

Battery	LiFePO4 Battery
Battery Capacity	320Wh
Battery Maintenance	Charge Every 3-6 Months

Port

USB Port (Output)	5V $\overline{=}$ 3A;9V $\overline{=}$ 2A;12V $\overline{=}$ 1.5A
USB Port(Output)	5V $\overline{=}$ 3A;9V $\overline{=}$ 2A;12V $\overline{=}$ 1.5A
USB-C port(Output)	5V $\overline{=}$ 3A;9V $\overline{=}$ 3A;12V $\overline{=}$ 3A;15V $\overline{=}$ 3A;20V $\overline{=}$ 3A
USB-C port(Output/Input)	5V $\overline{=}$ 3A;9V $\overline{=}$ 3A;12V $\overline{=}$ 3A;15V $\overline{=}$ 3A;20V $\overline{=}$ 5A
5.5mm Port(Output,5.5mm)	11. 2-14. 6V $\overline{=}$ 10A
AC Port(Output)	230V 50Hz 300W Sine ave
Charging Port (Input, 5.5mm)	Adapter: DC 10.8-23.5V, 3A Solar Panel 10.8-23.5V

General

Weight	About 4.1kg
Dimensions	230*130*202mm
Operating Usage Temp	0°C~40°C
Illumination	1 Ultra-bright LED



Cold Weather Usage

Cold temperatures (0 ~ 40°C) can affect the product's battery capacity due to chemical characteristics of the battery. If you'll be living off grid in sub-zero conditions, it is recommended to keep your product in an insulated cooler, and connected to a power source (12V car / AC adapter / Flash Portable Solar Panel). The natural heat generated by the product contained in an insulated cooler will keep the battery capacity at its highest level.

Disposal and Recycle

This product should not be disposed along with household waste. Please dispose or recycle this product and the battery inside according to the local rules and regulations.

Battery Information

This product has an internal, non-removable, LiFePO4 Rechargeable battery. Do not attempt to remove the battery, as you may damage the device.

Error Codes:

Error code	Causes	Solutions
E01	DC output overload	Release the overload status,press the DC output button again,the DC output can then be used normally
E02	DC output short circuit	Remove the short-circuit state,press the DC output button again,the DC output be used normally
E03	AC output overload, over temperature, over voltage, and short circuit	Release the overload,over temperature,over under voltage,short circuit status,press the AC output key again,the AC output can be used normally
E04	PD (bi-directional charging)short circuit, overload	Release the overload and short-circuit status, re-insert the USBC,the USBC output can then be used normally
E05	PCBA over temperature	Place the product in a cool place and wait for the product temperature to drop before using
E06	PCBA low temperature	Put the product in a high temperature place and wait for the products temperature to rise before using
E07	Battery undervoltage protection	Stop using and fully charge
E08	PD (unidirectional charging)/USBA short circuit,overload	Release the overload and short circuit status, press the USB output button again,the USB output can then be used normally
E09	DC charging overvoltage	Use a charger with the correct charging voltage to charge the device
E10	Battery charge and discharge over temperature	Place the product in a cool place and wait for the product temperature to drop before using
E11	Battery discharge overload	When overloaded, the DC output will be automatically turned off after 210 seconds
E12	Low power	The AC and DC output will be automatically turned off when prompted to charge



Caution

1. Do not short-circuit the product. To avoid short-circuiting, keep the product away from all metal objects.
2. Do not heat the product, or dispose it in fire, water or other liquids. Keep it away from high ambient temperature. Do not expose the product to direct sunlight.
3. Keep the product away from humid, dusty places.
4. Do not disassemble or reassemble this product.
5. Do not drop, place heavy objects on, or allow strong impact to this product.
6. This product is not intended to be used by persons with reduced physical, sensory or mental capabilities.
7. Please keep this product away from children.
8. Do not cover the product with towels, clothing and other items.
9. Do not overcharge this product.
10. When fully charged, disconnect the product from the power source immediately.
11. If you are not going to use this product for a long time, please disconnect the cable before storing it away.
12. To charge some portable electronic devices, you may need to set those devices in charge mode first. Refer to corresponding user manual of those devices for confirmation.
13. Do not pull the socket cover of the cigarette lighter too hard, the tether could break.

Pure Sine Wave Output

This product generates Pure sine wave, which is compatible with AC electric appliances that work with Sinusoidal waveform (power<300W).

Package Content

- 1 x Portable Power Station
- 1 x AC Adapter
- 1 x Car Charger Cable

Guarantee

Our company provides customers with a guarantee of 24 months from the date of purchase.

