



## SPECIFICATIONS SHEET

**PRODUCT TYPE : PIEZO BUZZER**

**PRODUCT SERIES : DB-E118**

**DESCRIPTION : PZ BUZZER DUAL 24VDC PLT ABS SP RoHS**

**COLOR : BLACK**

### ELECTRICAL SPECIFICATIONS

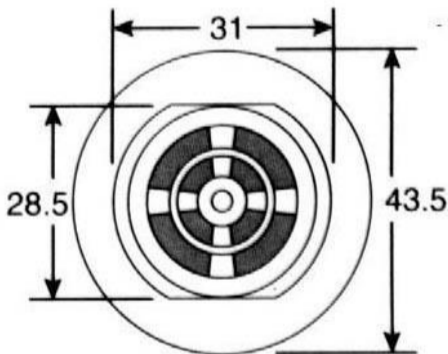
<b>MODEL NO.</b>		<b>11D3240LFTA</b>
<b>OPERATING VOLTAGE RANGE</b> ( VDC )		4.0 ~ 28.0
<b>RATED VOLTAGE</b> ( VDC )		24.0
* <b>MAX. RATED CURRENT</b> ( mA )		30.0 / 20.0
* <b>MIN. SOUND OUTPUT</b> ( dBA / 30 cm )		85.0 / 80.0
* <b>FREQUENCY</b> ( Hz )		2900 ± 500
<b>TONE NATURE</b>		DUAL
<b>OPERATING TEMPERATURE</b> ( °C )		- 20 ~ + 60
<b>TERMINAL</b>		PLATE
<b>HOUSING MATERIAL</b>		ABS
<b>WEIGHT</b> ( g )		35.0

\* Value applying at rated voltage

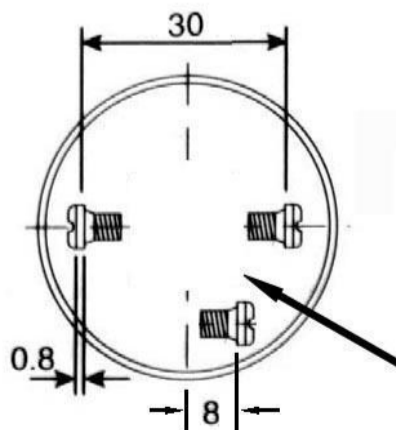
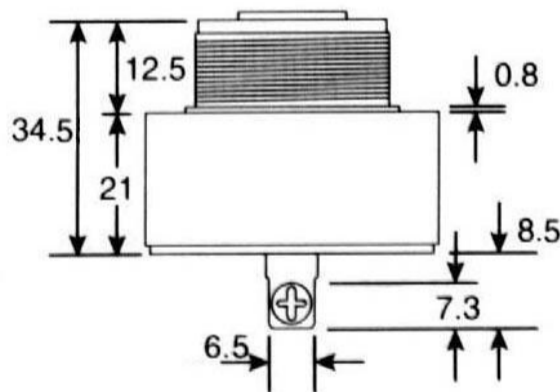
### DIMENSIONS

UNIT : mm

#### **TOP VIEW**

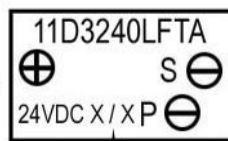
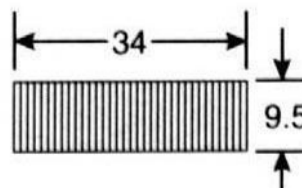


#### **SIDE VIEW**



#### **BOTTOM VIEW**

#### **NUT**



Date Code Marking "6 / A"  
Year 6 = 2006 Month A = Jan.

Approved By : Date : 24-Jan.-2006

Prepared By : Date : 24-Jan.-2006

Modify :	Date :	By :