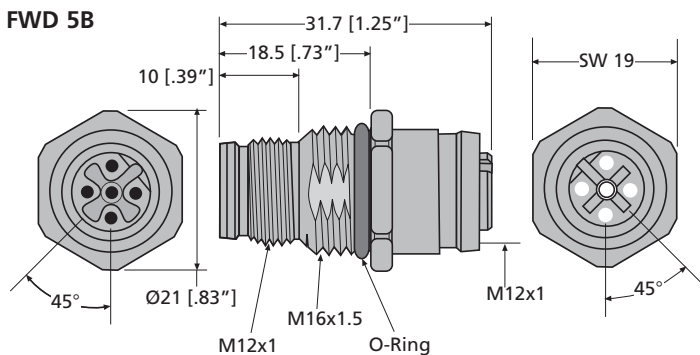
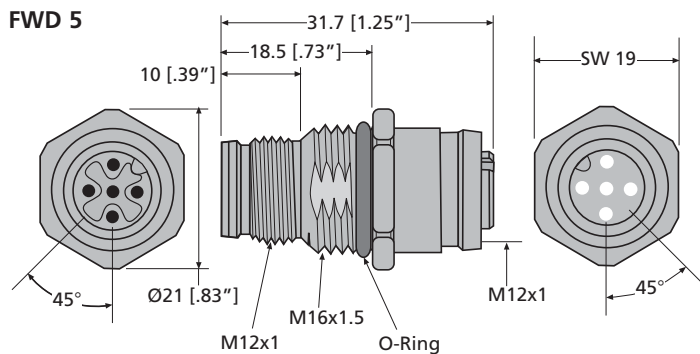


FWD 5 & FWD 5B

MICRO M12 Fixcon male to female feed through receptacle with Standard & B Code keying.


Features & Benefits

- M12 male to female feedthrough
- M16 thread for panel mount
- Metal housing
- Coding for DeviceNet™ (FWD 5) and Profibus (FWD 5B)
- IP67/68, NEMA 6P rated

Technical Data
Materials

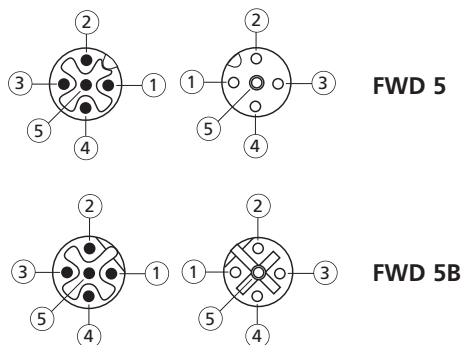
Shell	Brass, nickel plated
Contacts	Brass, gold over nickel plated
Insert Male	Polyamide
Insert Female	Polyurethane
O-ring	Viton

Electrical

Current Rating	4A
Voltage Rating	60V

Mechanical

Temperature	-25°C (-13°F) to 90°C (+195°F)
Protection	IP 68, NEMA 6P

Pin Assignments

Wiring Diagram

Pin 1	to	Pin 1
Pin 2	to	Pin 2
Pin 3	to	Pin 3
Pin 4	to	Pin 4
Pin 5	to	Pin 5