

HDMI SPLITTER CST-104A



1.0 Introduction:

HDMI Splitter is a product which can distribute HDMI signal without loss to one or more high definition display device such as HDTV. It can optimize your home theatre system to the best effect.

HDMI signal is distributed from source device such as DVD, Satellite Receiver, Set-Top Box, DV Camera, A/V Receiver and other HDMI enabled device to high definition display device such as HDTV and HDMI Flat panel Display.

2.0 Features:

1. Fully HDMI 1.4 specification compliant. It is applicable to source device and high definition display device such as DVD and HDTV which have HDMI Ports or digital ports and are compliant with HDCP protocol.
2. Support high resolutions:480i/p,576i/p,720i/p,1080i/p,4Kx2K@25/30Hz.
3. Support 30/36 dark, extended color space support, including: SYCC601、 Adobe RGB、 AdobeYCC601
4. Blu-ray DVD 24/50/60fs/HD-DVD/xv YCC.
5. Audio formats DTS-HD/Dolby-true HD/LPCM7.1/DTS/Dolby-AC3 and DSD.
6. Extend the transmission distance and improve transmission signal.
7. Compatible with DVI by using HDMI to DVI adapter.
8. Plug- and -play.
9. Metal casing design and overall shielding without signal interference.
10. Led indicates signal and power mode.

11. Power supply (please refer to technical parameter).

12. Support 3D

3.0 Packaging accessories:

1. HDMI 1×4 Splitter-----1 Pcs

2. 5V DC Power Adaptor-----1 Pcs

3. User Manual-----1 Pcs

4.0 Technical parameters

HDMI Source Input Port-----1

Display Device Output Port-----4

Source Port Connector-----19 PIN HDMI

Display Device Port Connector-----19 PIN HDMI

HDCP Compliant-----YES

Single Link Range-----3840x2160

Input Video Signal-----0.5-1.0 Volts P-P

Input DDC Signal-----5 Volts P-P(TTL)

Deep Color-----48 Bit

HDMI Version-----HDMI1.4

Bandwidth-----Up to 340 Mhz

Signal Speed-----Up to 10.2Gbps

The length of input cable-----PS4≤15M ; BLUE DVD≤15M

The length of output cable-----≤25M

The cable standard-----26AWG HDMI1.4

Vertical Frequency Range-----60Hz

Power Consumption (max.)-----3.5Watts

Operation Temperature-----0°C-70°C

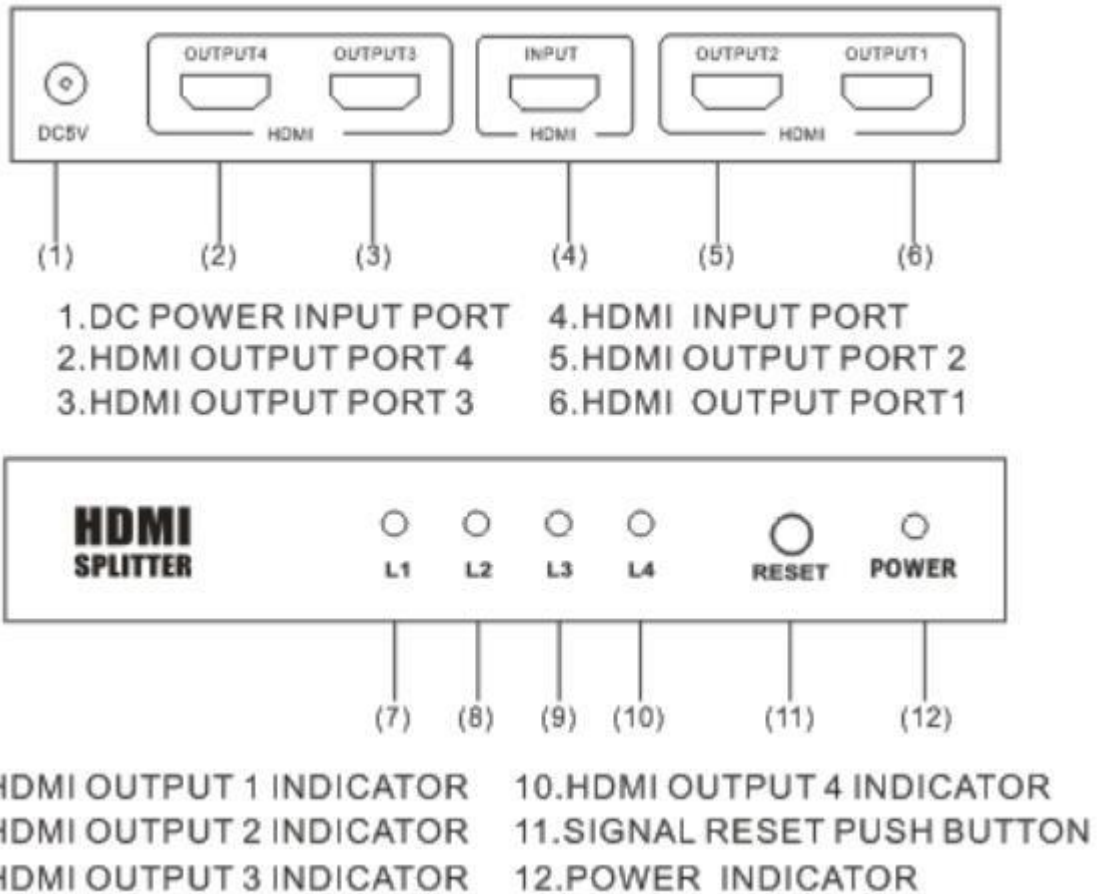
Working Voltage-----DC 5V

Power Adaptor-----5V 1A

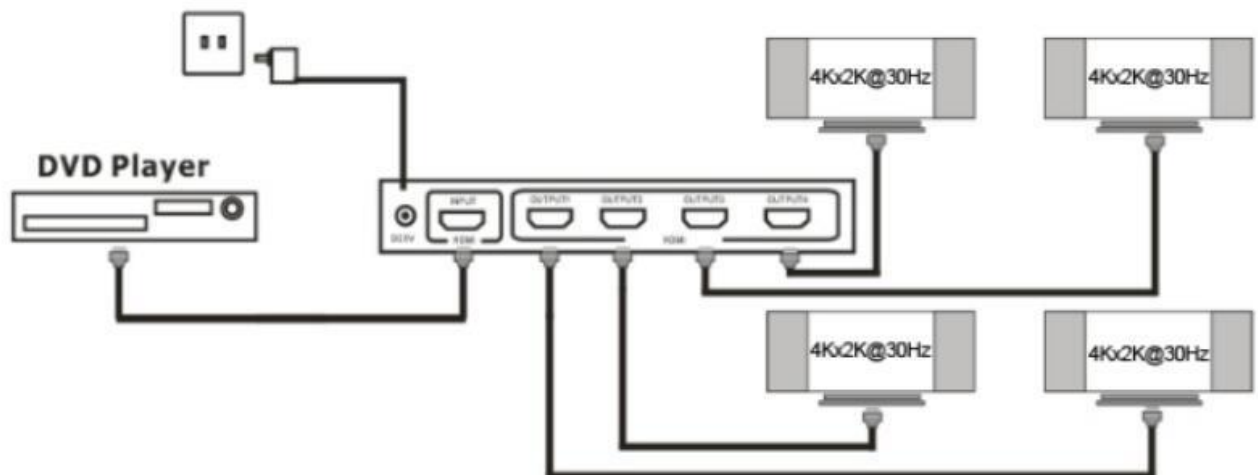
Net Weight-----0.39Kg

Dimension: L*W*H(mm)-----150x64x25

5.0 Panel Introduction



6.0 Connection diagram



6.01 Connect the HDMI cable between signal source and input port of Splitter.

6.02 Connect the HDMI cable between output port of Splitter and HDTV.

6.03 Connect splitter and power adapter.

6.04 Open the signal source and the power of HDTV, then it works.

Explanation: With different brands of the input or output device, the length of the connecting cables will differ too.

7.0 Installation and Precautions

To avoid electric shock , product damage and to protect your safety , please notice the following:

1.Please slowly plug or unplug signal cables and do not often plug , unplug , or shake them.

2.The equipment should not be placed under the sun , rain and damp or unventilated environment.

3.Liquid items should not be placed on the equipment.

4.Do not install the equipment near heat sources such as fire , power , or other amplifiers that produce heat.

5.Do not insert the metal or other objects to the equipment in addition to connecting cables to ports.