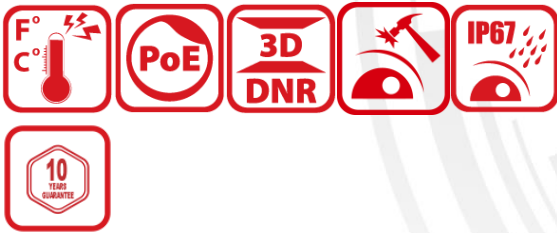


DS-2TD2608-2/QA/FP

Thermal & Optical Bi-spectrum Network Bullet Camera



Hikvision DS-2TD2608-2/QA/FP Thermal & Optical Bi-spectrum Network Bullet Camera supports temperature exception alarm for fire prevention and built-in strobe light and audio warning. The camera also combines ColorVu technology to provide 24/7 vivid colorful images. These camera series can be widely applied to villas, communities, parks, parking lots, warehouses, construction sites, manufacturing workshops, etc.

- 96 × 72 resolution, 12 μm, VOx UFPA, NETD < 55 mK (25°C, F1.0)
- Temperature exception alarm for fire prevention, -20°C to 300°C (-4°F to 572°F)
- Support fire detection algorithm
- Support smoking detection algorithm
- Image processing technology: linear, histogram, self-adaptive thermal AGC mode, DDE, 3D DNR
- High quality detector with 10 years guarantee

▪ Specification

Thermal Module	
Image Sensor	Vanadium Oxide Uncooled Focal Plane Arrays
Resolution	96 × 72
Pixel Pitch	12 μm
Spectral Range	8 μm to 14 μm
NETD	<55 mK (25°C, F1.0)
Focal Length	2.6 mm
IFOV	4.62mrad
Field of View	25.0° × 18.75° (H × V)
Min. Focusing Distance	0.1 m
Aperture	F1.0
Digital Zoom	×2, ×4
Optical Module	
Image Sensor	1/1.8" Progressive Scan CMOS
Resolution	2688 × 1520
Min. Illumination	0.0003 Lux @ (F1.0, AGC ON) , 0 Lux with Light
Shutter Speed	1 s to 1/100,000 s
Focal Length	6 mm
Field of View	56.0° × 30° (H × V)
Aperture (Range)	F1.0
WDR	120 dB
Image Effect	
Target Coloration	Yes. Supported in white hot and black hot mode.
Illuminator	
Light Supplement	Warm Light
Light Supplement Distance	30 m
Audible and Visual Alarm	
White Light Range	Up to 30 m
Visual Alarm	Yes. White light alarm with adjustable flashing frequencies
Audio alarm	Yes 1 preset voice alerts 6 importable user-defined voice alerts
Smart Function	
Temperature Measurement	3 temperature measurement rule types, 21 rules in total (10 points, 10 areas, and 1 line)
Temperature Range	-20°C to 300°C (-4°F to 572°F)
Temperature Accuracy	Max (±4°C/7.2°F, ±4%), for ambient temperature 15°C to 35°C (59°F to 95°F) Max (±8°C/14.4°F, ±8%), for other ambient temperature
Fire Detection	Support
Smoking Detection	Support

Video and Audio	
Main Stream	Thermal: 25 fps (1280 × 720, 704 × 576, 640 × 480, 352 × 288, 320 × 240) Optical: 50 Hz: 25 fps (2688 × 1520, 1920 × 1080, 1280 × 720) 60Hz: 30 fps (2688 × 1520, 1920 × 1080, 1280 × 720)
Sub-stream	Thermal: 25 fps (704 × 576, 352 × 288, 320 × 240) Optical: 50 Hz: 25 fps (704 × 576, 352 × 288) 60 Hz: 30 fps (704 × 480, 352 × 240)
Video Compression	Main Stream: H.265/H.264 Sub-Stream: H.265/H.264/MJPEG
Audio Compression	G.722.1/G.711ulaw/G.711alaw/MP2L2/G.726/PCM
Network	
Protocols	IPv4/IPv6,HTTP,HTTPS,802.1x,Qos,FTP,SMTP,UPnP,SNMP,DNS,DDNS,NTP,RTSP,RTCP,RTP,TCP,UDP,IGMP,ICMP,DHCP,PPPoE,Bonjour,SFTP,SRTP,SSL
Network Storage	MicroSD/SDHC/SDXC card (up to 256 G) local storage, NAS (NFS, SMB/CIFS), Auto Network Replenishment (ANR)
API	ISAPI, HIKVISION SDK, and third-party management platform, Open Network Video Interface (Profile S, Profile G)
Simultaneous Live View	Up to 20 channels
User/Host level	Up to 32 users, 3 levels: Administrator, Operator, User
Security	User authentication (ID and Password), MAC address binding, HTTPS encryption, IEEE 802.1x(EAP-MD5, EAP-TLS), access control, IP address filtering
Client	iVMS-4200, Hik-Connect
Web Browser	Live view (plug-in allowed) : Internet Explorer 11 Live view (plug-in free) : Chrome 57.0 +, Firefox 52.0 +,macOS10.13 +,Safari 12+ Local service : Chrome 57.0 +, Firefox 52.0 +
Interface	
Alarm Input	2, alarm input (0-5 VDC)
Alarm Output	2, alarm output (alarm response actions configurable)
Alarm Action	Linkage Method Trigger recording: memory card, network storage, pre-record and post-record Trigger captured pictures uploading: FTP, SFTP, HTTP, NAS, Email Trigger notification: HTTP, ISAPI, alarm output, Email
Communication Interface	1, RJ45 10 M/100 M Self-adaptive Ethernet interface.
General	
Web Client Language	32 languages English, Russian, Estonian, Bulgarian, Hungarian, Greek, German, Italian, Czech, Slovak, French, Polish, Dutch, Portuguese, Spanish, Romanian, Danish, Swedish, Norwegian, Finnish, Croatian, Slovenian, Serbian, Turkish, Korean, Traditional Chinese, Thai, Vietnamese, Japanese, Latvian, Lithuanian, Portuguese (Brazil)

Power Supply	12 VDC \pm 25%, ϕ 5.5 mm coaxial power plug PoE (802.3af, class 3)
Power Consumption	12 VDC \pm 25%: 0.7 A, Max.8.5 W PoE (802.3af, class 3): 36 V to 57 V, 0.24 A to 0.15 A, Max. 8.5 W
Working Temperature/Humidity	Temperature: -40°C to 70°C (-40°F to 158°F) Humidity: 95% or less
Protection Level	IP67 Standard TVS 4000V lightning protection, surge protection, voltage transient protection IK10-rated housing
Dimensions	211.5 mm \times 105 mm \times 105 mm (8.32" \times 4.13" \times 4.13")
Weight	869.2 g (1.92 lb)

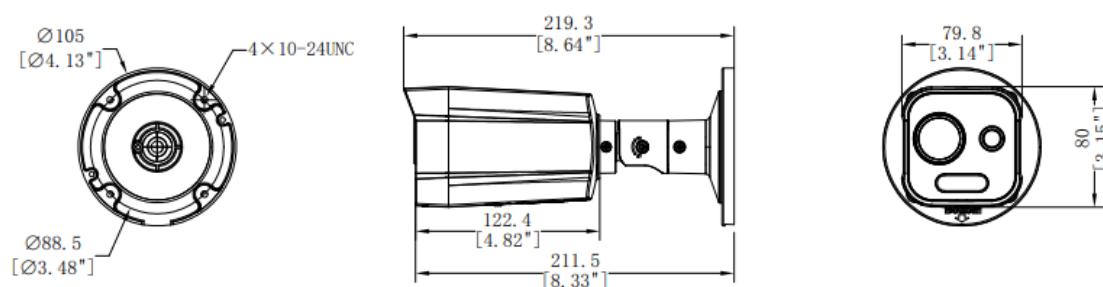
▪ Range Table

Temperature Measurement (Object: 1 x 1 m)	Temperature Measurement (Object: 0.2 x 0.2 m)	Fire Detection (Object: 0.2 \times 0.2m)	Smoking Detection
39m	7.8m	31.2m	3.9m

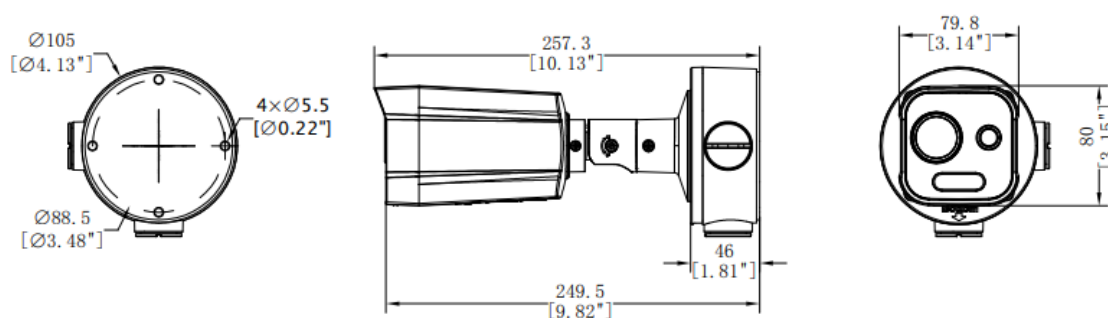
▪ Available Model

DS-2TD2608-2/QA/FP

▪ Dimension

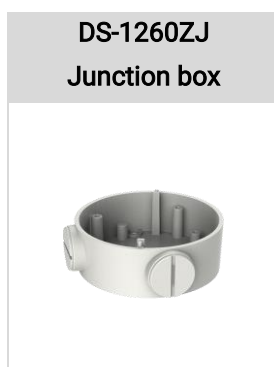


Unit:mm[Inch]

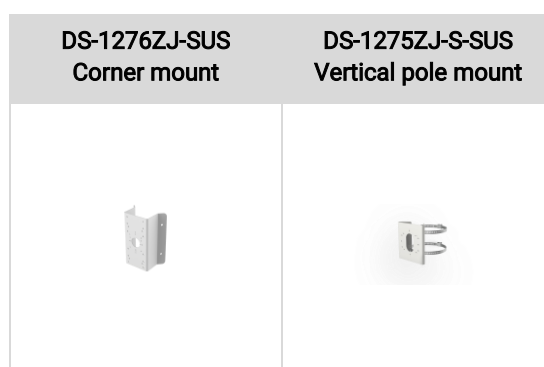


Unit:mm[Inch]

- **Accessory**
- **Included**



- **Optional**



COMPLIANCE NOTICE: The thermal series products might be subject to export controls in various countries or regions, including without limitation, the United States, European Union, United Kingdom and/or other member countries of the Wassenaar Arrangement. Please consult your professional legal or compliance expert or local government authorities for any necessary export license requirements if you intend to transfer, export, re-export the thermal series products between different countries.

Headquarters

No.555 Qianmo Road, Binjiang District,
Hangzhou 310051, China
T +86-571-8807-5998
www.hikvision.com



Follow us on social media to get the latest product and solution information.

