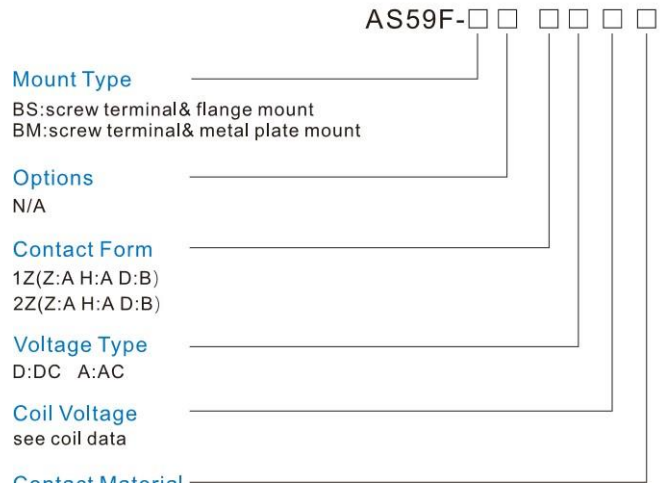


AS59F Power Relay

Features

- two kinds of mount options: flange or metal plate
- 2Z with connector becomes 1 Z, rated load reach 100A max

Ordering Information



AS59F-BS IZ
(JQX-59F IZ)

AS59F-BS IZ IOOA
(JQX-59F IZ IOOA)

120F

I Z)



1 :

Contact Material

AgSnO2

Notes: We have now gradually updated our ordering information. We suggest new type should be selected. If necessary, old type can be kept for some period for the old customers.

AS59F-BM 2Z
(JQX-59F 2Z)

AS59F-BS 2Z
(JQX-59FS 2Z 60A)



Specifications



AS59F.BM IZ IOOA

AS59F.BM 2Z

(JQX-
Metal Plate

120F IZ)
Mount



Connector

Contact Form		
Rated Load (Resistive property)	80A. 100A250VAC/30VDC	80A250VAC/30VDC
Contact	2100000times/10000000times	
Electrical/Mechanical Life		
Initial Contact Resistance	S100MQ (IA6VDC)	
Contact Material	AgSnO2	
Insulation Resistance	≥1 000MQ (500VDC)	
Characteristics	Dielectric Strength	
	Between open contacts ≥21 000VAC/1 min	
	Between poles ≥21500VAC/1min	
Operate/Release Time	Between contact and coil ≥22500VAC/1 min	
	S25ms/25ms	
Terminal Type	Screw	
Coil Operating Power DC/AC	3.6W/4.4VA	

DC Coil Data

AC Coil Data

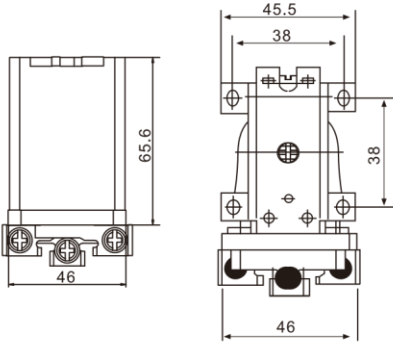
Rated Voltage VDC	Pickup Voltage VDC	Dropoff Voltage VDC	Rated Voltage VAC	Pickup Voltage VAC	Dropoff Voltage VAC	Coil Resistance
6	4.8	0.6	6	4.8	1.8	8.2
12	9.6	1.2	12	9.6	3.6	32.7
24	19.2	2.4	24	19.2	7.2	130
48	38.4	4.8	48	38.4	14.4	523.6
110	88.0	11.0	220/240	176.0	72.0	11000/13090

AS59F Power Relay

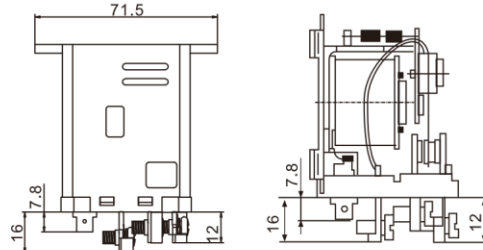


Dimensions (mm)

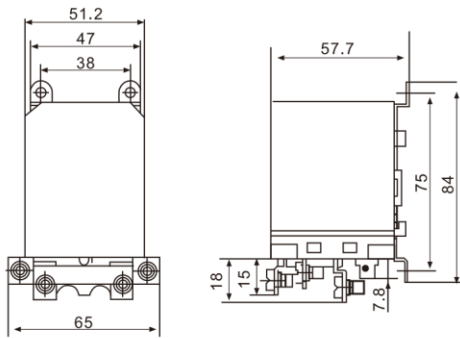
AS59F-BS 1Z



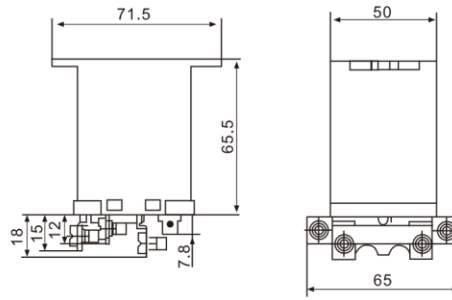
AS59F-BS 1Z 100A



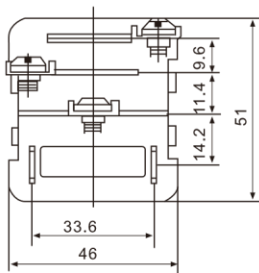
AS59F-BM 2Z



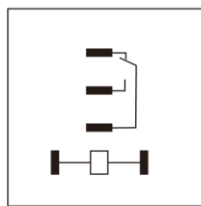
AS59F-BS 2Z



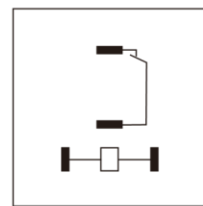
Wiring Diagrams



AS59F 1Z



AS59F 1H



AS59F 1D

