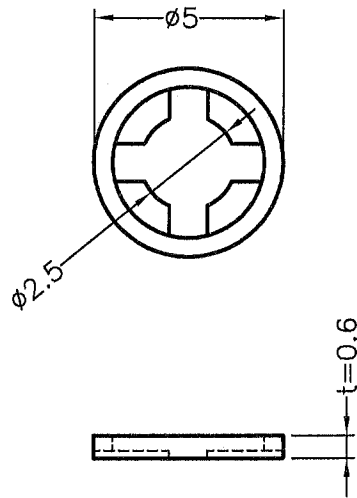

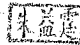


REVISIONS			
REV	DESCRIPTION	DATE	BY



FOR SCREW : M3

 <p>康揚企業股份有限公司 KANG YANG HARDWARE ENTERPRISE CO., LTD. 康揚塑膠(東莞)有限公司 KANG YANG PLASTIC(DONG GUAN) CO., LTD. 康哲電腦配件(吳江)有限公司 KANG CHE COMPUTER COMPONENTS(WUJIANG) CO., LTD.</p>				TITLE	SCREW WASHER	SPEC. DWG.					
				MATERIAL	NYLON 66 UL94V-2	DATE	2009.10.23				
				FINISH		DRAWN	SAI				
				COLOR	NATURAL	CHECK					
PART NUMBER	KWS-3S		DRAWING NUMBER	KWS-3S							
SIZE	A4	SCALE	5:1	UNIT	mm	REV	A	UNLESS OTHERWISE SPECIFIED TOLERANCE	±0.2	APPROVED	