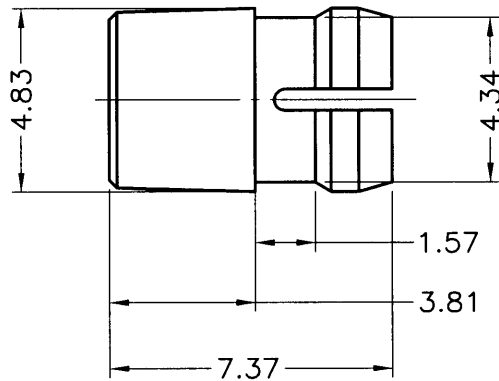
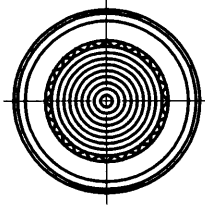


成型尺寸	公差
5mm 以下	±0.2
5~20mm	±0.3
20~40mm	±0.4
40~60mm	±0.5
60~100mm	±0.8
100mm 以上	±1.0

REVISIONS			
REV	DESCRIPTION	DATE	BY



QMFZ2 Component - Plastics  
 TELJIN CHEMICALS LTD  
 HIBIYA DAIBIRU BLDG 2-2 UCHISAIWAI-CHO 1-CHOME CHIYODA-KU TOKYO 100-0011 JAPAN  
 Material Designation: L-1225(#)(f2)  
 Product Description: Polycarbonate (PC), designated "Panlite" furnished as pellets, powder.


Color	Min. Thick. (mm)	Flame Class	HWI	HAI	RTI Elec	RTI Imp	RTI Str	IEC GWIT	IEC GWFI
ALL	0.4	V-2	4	3	80	80	80	-	-
	0.75	V-2	3	1	80	80	80	-	-
	1.5	V-2	3	1	125	115	125	-	-
	1.9	HB	3	1	125	115	125	-	-
	3	HB	2	1	125	115	125	-	-
	6	HB	1	1	125	115	125	-	-

CTI: 2 HVTR: 4 D495: 5 IEC Ball Pressure (C): -

Dielectric Strength (kV/mm): 30 Volume Resistivity (10<sup>10</sup>ohm-cm): 16 Dimensional Stability(%): 0  
 ISO Tensile Strength (MPa): - ISO Flexural Strength (MPa): - ISO Heat Deflection (°C): -  
 ISO Tensile Impact (kJ/m<sup>2</sup>): - ISO Izod Impact (kJ/m<sup>2</sup>): - ISO Charpy Impact (kJ/m<sup>2</sup>): -

(#) Material designation may be suffixed with any one or two letters.  
 (f2) Subjected to one or more of the following tests: Ultraviolet Light, Water Exposure or Immersion in accordance with UL 746C, where the acceptability for outdoor use is to be determined by UL Inc.

Report Date: 2/10/1989 Underwriters Laboratories Inc®

 <p>康揚企業股份有限公司          KANG YANG HARDWARE ENTERPRISE CO., LTD.          東莞康揚塑膠五金電子廠          DONG GUAN KANG YANG PLASTIC HARDWARE COMPANY          康哲電腦配件(吳江)有限公司          KANG CHE COMPUTER COMPONENTS(WUJIANG) CO.,LTD.</p>	TITLE LED燈罩		產品規格圖面	
	MATERIAL PC UL94V-2		DATE 2006.08.04	
	FINISH		DRAWN JACK	
	COLOR CLEAR		CHECK 郭書維	
PART NUMBER LC3-6	DRAWING NUMBER LC3-6		UNLESS OTHERWISE SPECIFIED TOLERANCE SEE ABOVE	
SIZE A4	SCALE 5:1	UNIT mm	REV A	APPROVED Kang