

Product Description of LED Sensor Floodlight

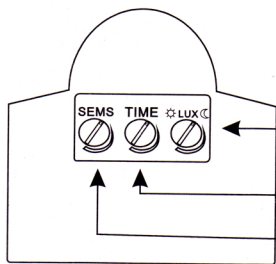
Product Description:

This product is an energy saving sensor floodlight. It's suitable for garden lighting, corridor lighting, residential road lighting, parkstreet lighting and other places. It is simple to install, easy to use and safe, without complicated wiring construction. When people move around in the area of the sensor, the light will automatically open and light up the night sky for you.

Use Guide

LED Solar Sensor Floodlight

Detection range: 120°
 Detection distance: Max.10m (25°C)
 Operating Temperature: +10~40°
 Humidity: less than 93%RH
 Environmental illumination: 2LUX-2000LUX
 Mounting height: 1~4M
 IP Grade: IP44 (For indoor and outdoor use)

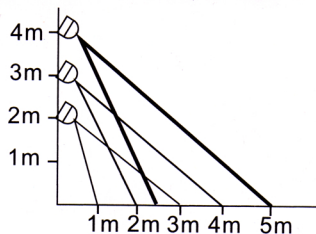
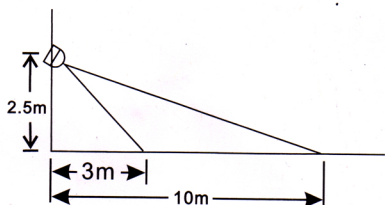


The sun represents it work throughout the day.
 The moon represents it work in the evening.

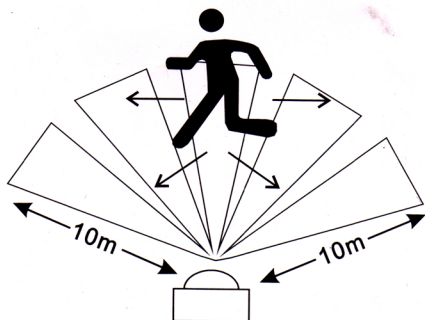
Adjustable time: 5 seconds~8 minutes

Sensitivity have been adjusted before delivery, mobilize is not recommended.

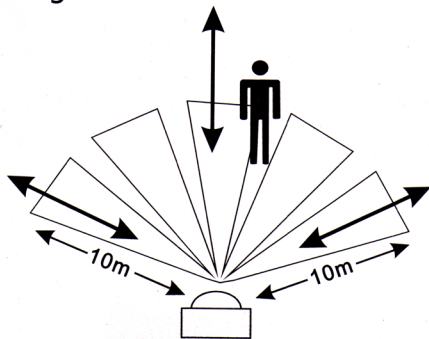
Installation Diagram



Mounting Height and Range of Sensor Area



Detection angle: 120° Face sensor crosscutting occasions
 Sensor sensitivity: Up to 10M (Mounting height: 2.5M)



Detection angle: 120° Face sensor straight forward occasions
 Sensor sensitivity: Low to 4M (Mounting height: 2.5M)