

MAG SHUTTER SW5070

Part 1: Picture



Part 2. Specification

Connect type: NC

NO/COM are available

Voltage: 100V DC/AC Max

Tamper distance: $\geq 40\text{mm}$

Current: 0.5A Max

Contact load: 10W

Operation Temperature: $-20^{\circ}\text{C}\sim 80^{\circ}\text{C}$

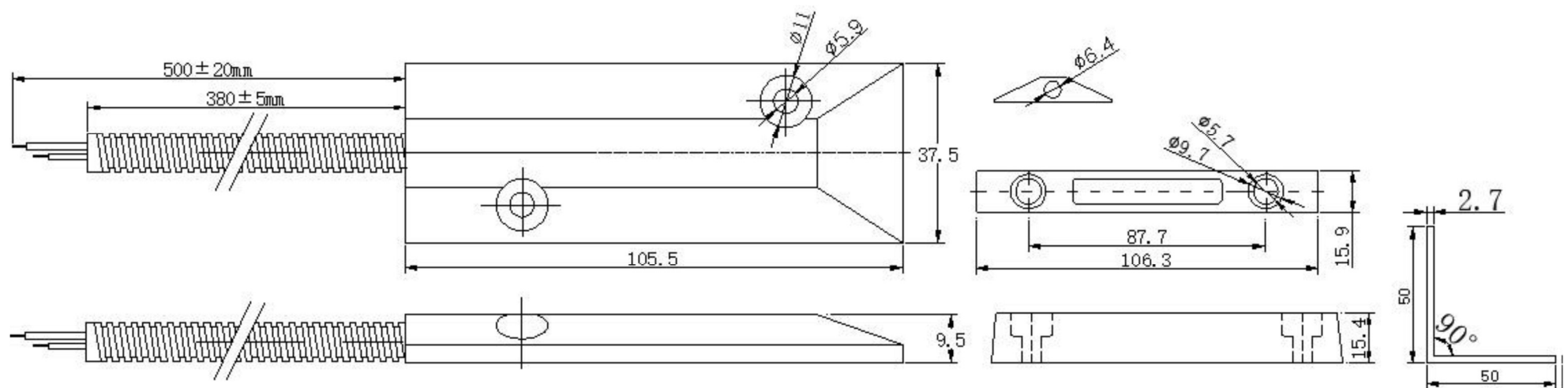
Lifespan: $>100,000\text{times}$

Connection: Screws + cable

Cable: 380mm armoured cable

Material: Zinc alloy

Color: Silver



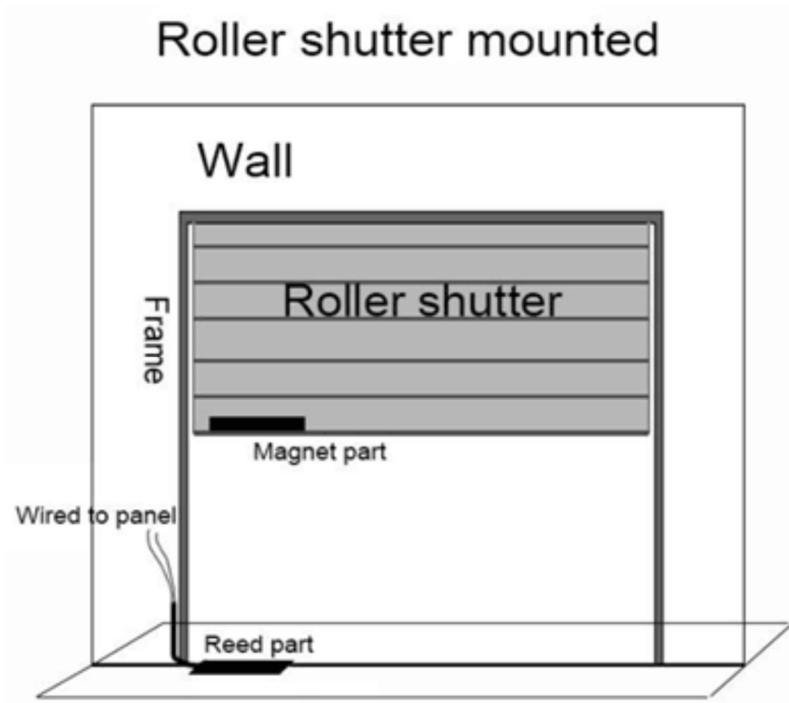
Part 3: Installation

Surface/Roller shutter mounted should be fixed with screws or double sided tape.

Flush mounted should be fixed in the hole between the door and door frame.

Fix the magnet part on the edge of door, and install the reed part on the edge of door frame as close to the magnet part as possible.

Wired reed part to alarm system (panel).



Part 4: Warning

Do not knock reed part when mounting.

Magnetic contact should be used for doors/windows alarm only. Please contact us for technical parameters if used as an equipment switch.