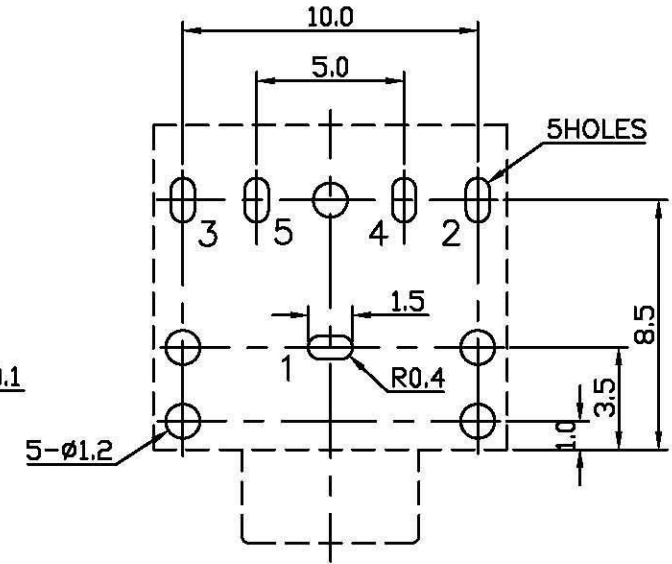
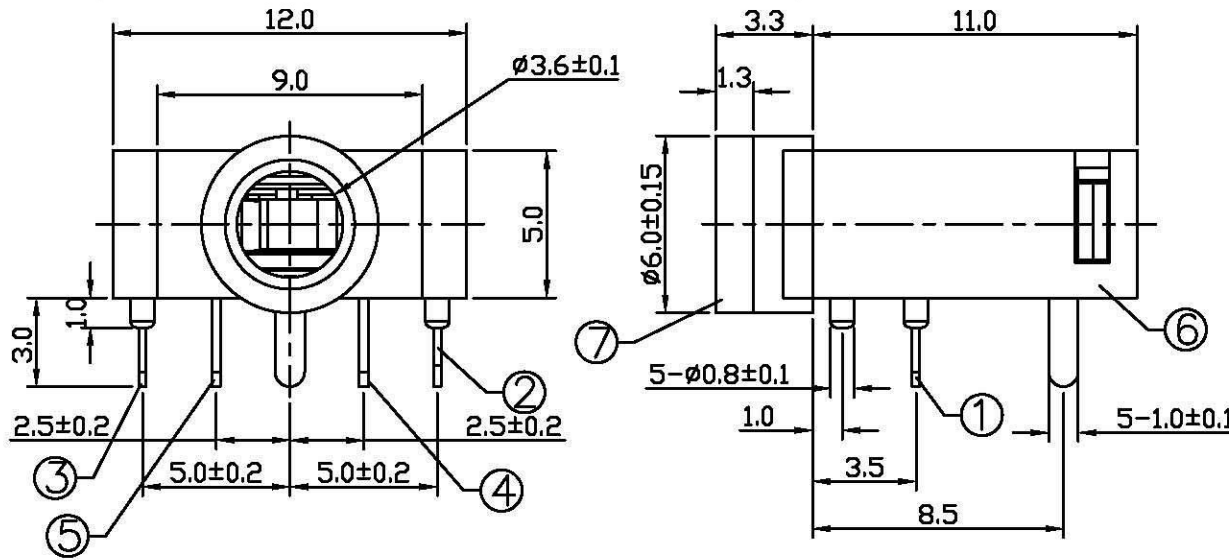
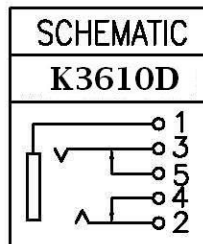
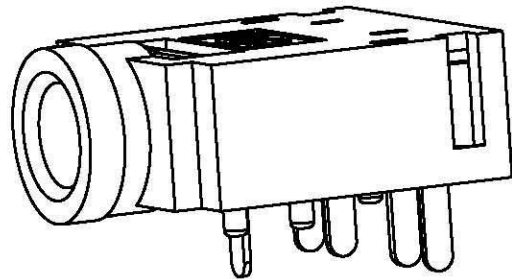


* REVISIONS				
LTR	DESCRIPTION	DATE	REVISED	APPROVED



T:1.6 Dimensions of PC board holes
Tolerance : ±0.1(Printed-top view)



LEAD FREE

7	AXIS SUPPORT	1	H59(COPPER ALLOY)	MB:Cu	Ni	PLATED
6	HOUSING	1	PA66	BLACK		
5	5# TERMINAL	1	C2680 t=0.30	MB:Ni	Ag	PLATED
4	4# TERMINAL	1	C2680 t=0.35	MB:Ni	Ag	PLATED
3	3# TERMINAL	1	C5191 t=0.25	MB:Ni	Ag	PLATED
2	2# TERMINAL	1	C5191 t=0.30	MB:Ni	Ag	PLATED
1	1# TERMINAL	1	C5191 t=0.25	MB:Ni	Ag	PLATED
LTR	PART NAME	QTY	MATERIAL	REMARK		
DWN	ANJOU	DATE	2009.06.09	3RD ANGLE PROJECTION	NAME MINIATURE JACK	
CHKD	ANJOU	DATE	2009.06.09		CAT. NO. K3610D	
APVD	GIEVEN	DATE	2009.06.09		DWN.NO. K3610D	
SHALLIN ELECTRONICS CO., LTD.				001		

UNLESS OTHERWISE SPECIFIED, TOLERANCE ON DECIMAL: ±0.3