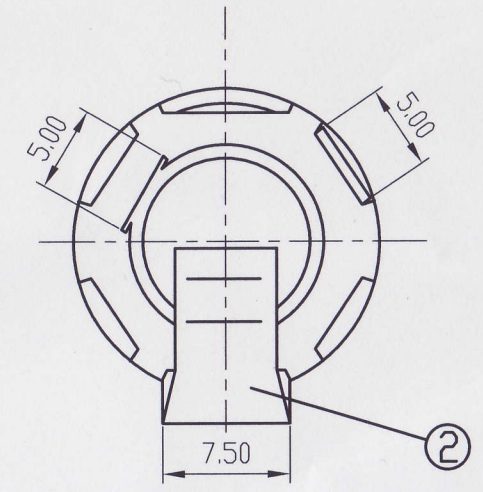
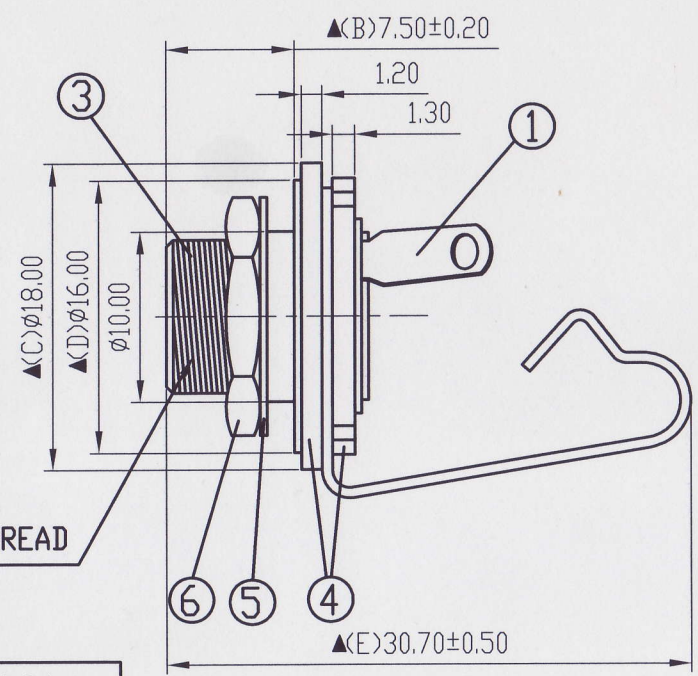
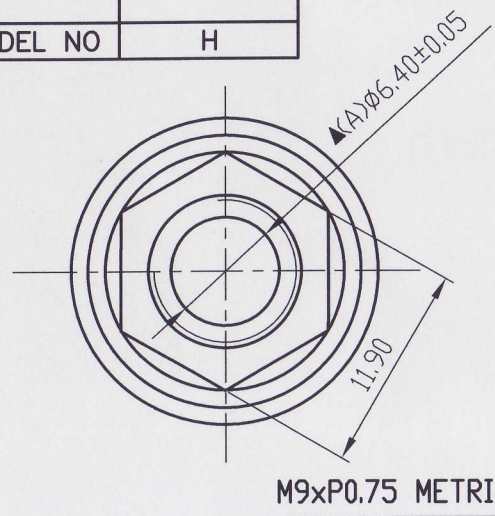
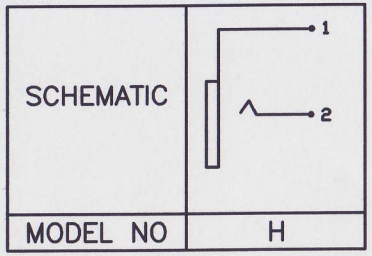


MJ159-SC



6.	NUT	2.0T Steel	1	Nickel Color
5.	Washer	0.4T Steel	1	Nickel Color
4.	Insulator	Bakelite	1	Natural
3.	Bushing(Sleeve)	Bronze Strip	1	Nickel Color
2.	Spring Terminal	0.6T Bronze Strip	1	Nickel Color
1.	Earth Terminal	0.3T Bronze Strip	1	Nickel Color
NO.	Description	Material	Q'TY	Finish

S.C. PRECISION INDUSTRIAL CO., LTD.	DATE	DWN	CHKD	APVD	MANAGER
	08.01.2012	王放策			

PART NAME : 6.3 ϕ PHONE JACK OPEN TYPE MONO	PART NUMBER: SCJ655M2NHS1000G	VERSION: 2.0
TOLERANCE : ± 0.3 mm UNLESS OTHERWISE SPECIFIED	UNIT: mm	SCALE: 1/1

RoHS Compliant

SPECIFICATIONS:
 Contact Resistance : 30m Ω max
 Insulation Resistance : 100M Ω min. at DC 500V
 Dielectric Withstanding Voltage: AC 500V for one minute
 Remark: ▲: The Most Important Dimension