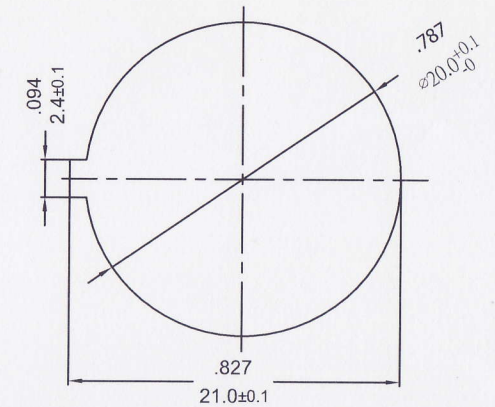
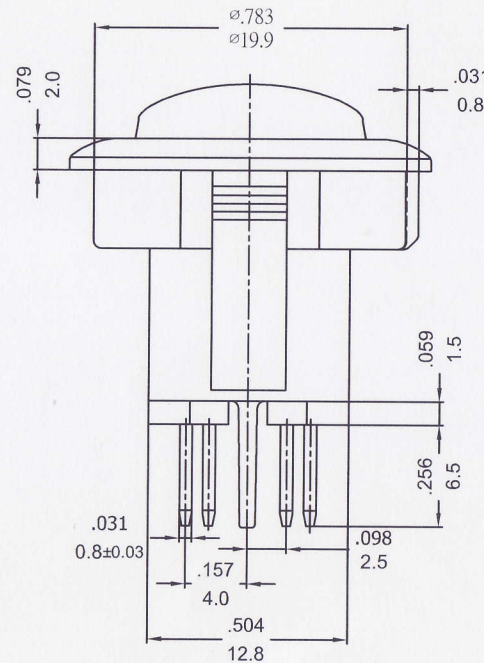
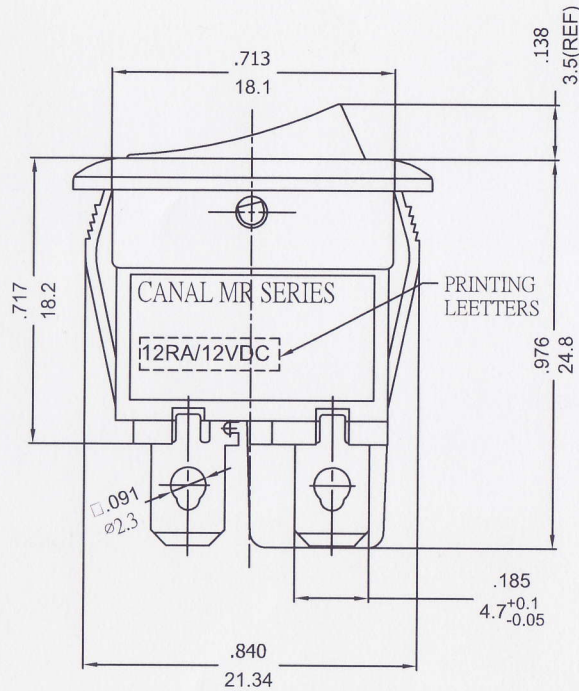


ROCKER SWITCH MODEL: MR SERIES

RATING:12RA/12VDC (cURus/ENEC15)
 DIELECTRIC WITHSTAND VOLTAGE: 1500VAC FOR 1 MINUTE
 INSULATION RESISTANCE:500VDC 100MΩ (MIN.)
 CONTACT RESISTANCE:20mΩ INITIAL(MAX.)
 ILLUMINATION:LED 12VDC



PANEL THICKNESS:1.0~2.0mm



NOTE:TOLERANCES UNLESS OTHERWISE SPECIFIED:± .012/0.3 (in/mm)

REVISION	DESCRIPTION	REVISED BY	TOLERANCES		ANGLE 1/2°	UNIT	mm	PART NAME	DWG NO
④			DRAWN BY	楊偉韶	DESIGNED BY	蔡劍	SCALE	2/1	MR SPEC DRAWING
③			CHECKED BY	<i>[Signature]</i>	APPROVED BY	<i>[Signature]</i>	DATE	2018.11.05	MR-211R5W-7BRD-12NM
②									S7633A
①	2018.11.05 首次出圖	楊偉韶							