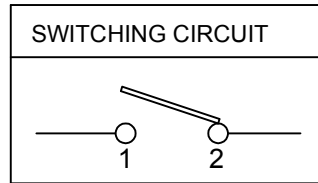
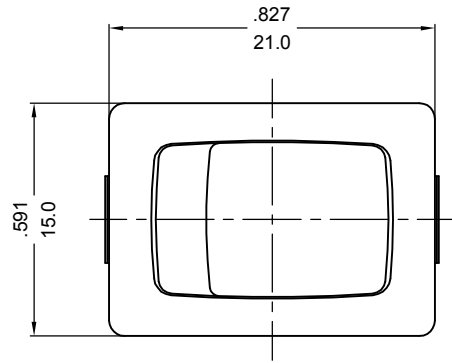


# 嘉尼企業股份有限公司 CANAL ELECTRONIC CO.,LTD.



## ROCKER SWITCH MODEL MR2 SERIES

RATING:10(4)A 125/250V~T55 (cURus)

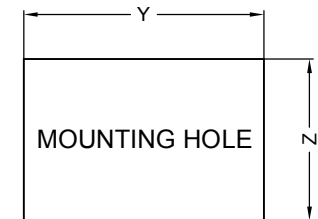
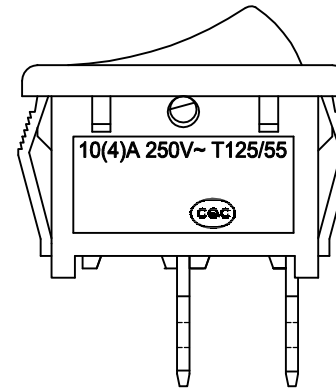
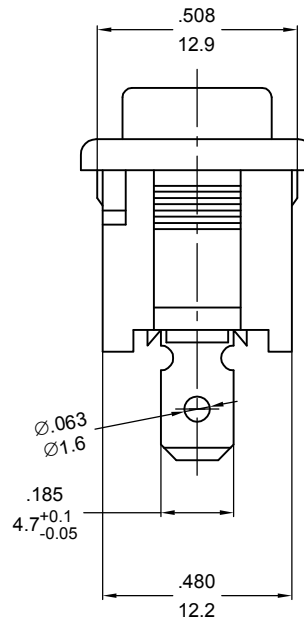
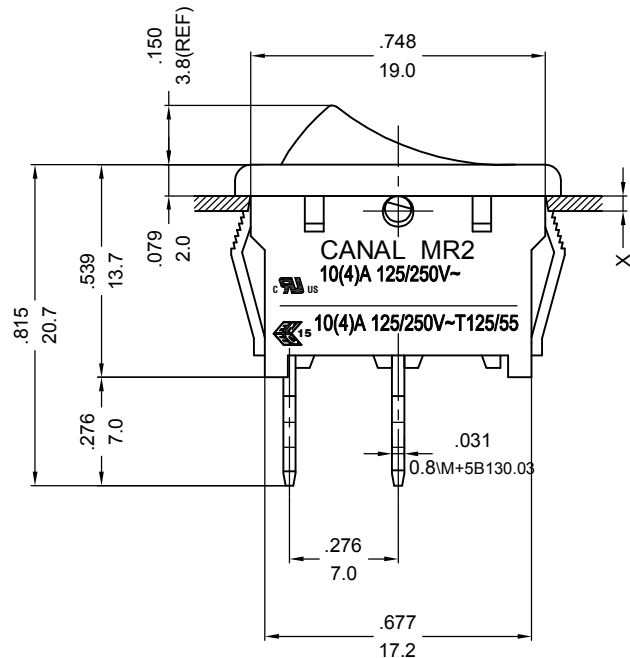
10(4)A 125/250V~T125/55 (ENEC15)

10(4)A 250V~T125/55 (CQC)

DIELECTRIC VOLTAGE-WITHSTAND:1,500VAC FOR 1 MINUTE

INSULATION RESISTANCE:DC 500V 100MΩ (MIN.)

CONTACT RESISTANCE:20mΩ INITIAL (MAX.)



X(PANEL THICKNESS)	Y(CUTOUT DIMENSION)	Z(CUTOUT DIMENSION)
0.75~1.25mm	19.2 <sup>+0.1</sup> <sub>-0</sub> mm	12.9 <sup>+0.15</sup> <sub>0</sub> mm
1.25~2mm	19.4 <sup>+0.1</sup> <sub>-0</sub> mm	12.9 <sup>+0.15</sup> <sub>0</sub> mm
2~3mm	19.8 <sup>+0.1</sup> <sub>-0</sub> mm	12.9 <sup>+0.15</sup> <sub>0</sub> mm

NOTE: TOLERANCES UNLESS OTHERWISE SPECIFIED:±.012/0.3 (in/mm)

PANEL CUTOUT DIMENSION TABLE

REVISION	DESCRIPTION	REVISED BY	TOLERANCES		ANGLE ½°	UNIT	mm	PART NAME	DWG NO
△			DRAWN BY	楊偉韶	DESIGNED BY	蔡劍	SCALE	2/1	MR2 SPEC DRAWING
△			CHECKED BY		APPROVED BY		DATE	2023.05.19	S9310A
△	2023.05.19 首次出圖.	楊偉韶					PART NO	MR2-110C2N-NBBA-23NC	