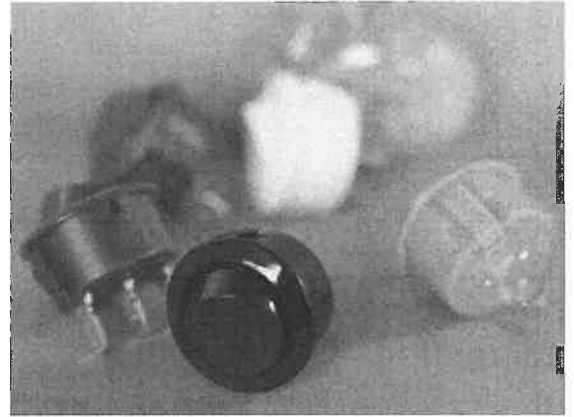


SWITCH / ROCKER SW

MR2-R

Round mini rocker switches, dia. 20mm, up to 20A 125VAC, 16(8)A~250VAC, TV6

SINGLE POLE ROUND ROCKER SWITCHES UP TO 20A 125VAC  
Snap-in mounting, curve round panel



PDF Download

Get Information

ZOOM IN

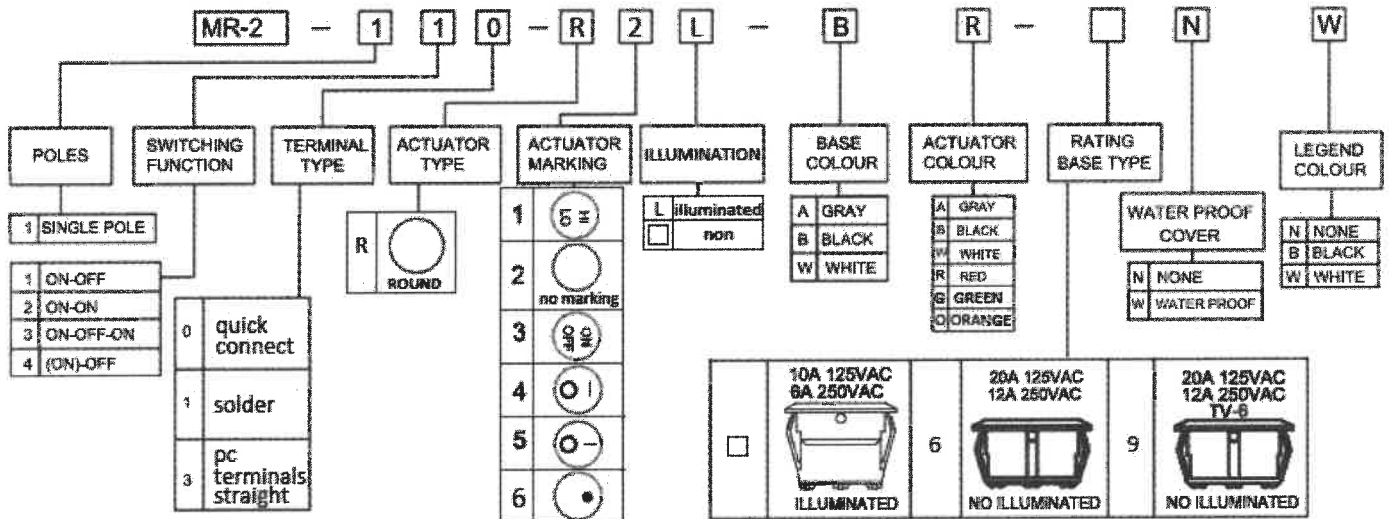
Feature



- 12A 125VAC, 10A 250VAC ( UL, CUL )
- 6A 125VAC, 3A 250VAC(UL, CUL)
- 10(4)A 250VAC~ T125 (VDE,ENEC))
- 10(4)A 250V~T125 (CQC)
- TV-6 (UL, CUL), optional
- 20A 125VAC, 12A 250VAC ( UL, CUL ) optional
- 10A 12/14/18/24 VDC ( UL,CUL)
- 16(8)A 250V T85 1E4 (VDE), optional
- Initial contact resistance : 20m ohm (max.)
- Insulation resistance : 100M ohm (min,) at 500VDC
- Temperature range : -20 to +125 degrees in Celsius
- Switch for Class II appliances
- Base : Nylon 66, UL rated 94V-2 min
- Actuator : PC / Nylon 66, UL rated 94V-2 min
- Spring : Piano wire
- Contact : Silver alloy
- Terminals: Silver plated Copper, soldering, quick connecting
- Lamp: Neon or LED

Specification

How to Order:

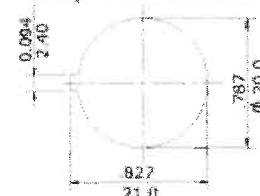


What is Inrush Current? And why MR2?

Quoted from Wikipedia:

~Inrush current, input surge current or switch-on surge is the maximum, instantaneous input current drawn by an electrical device when first turned on. For example, incandescent light bulbs have high inrush currents until their filaments warm up and their resistance increases.

Snap-in Panel Cutout



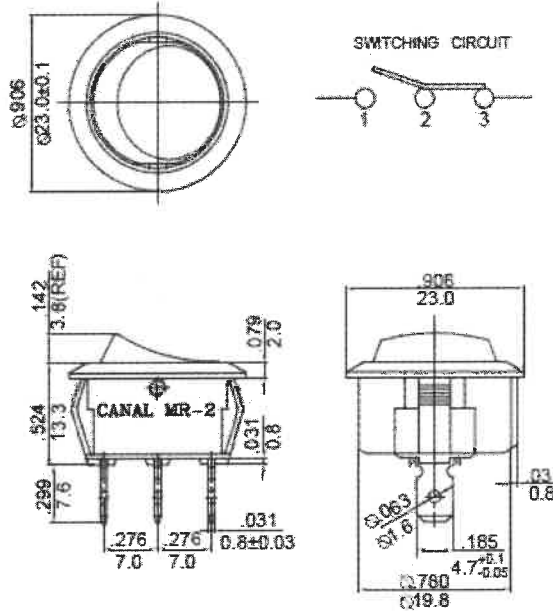
*Alternating current electric motors and transformers may draw several times..... ~*

Choosing a switch that can have a good capacity for your device is thus very important for your device's safety. Our MR2 series can offer an option up to TV6 or equivalent to 96A inrush that can be the appropriate switch to ensure your device's life and stability.

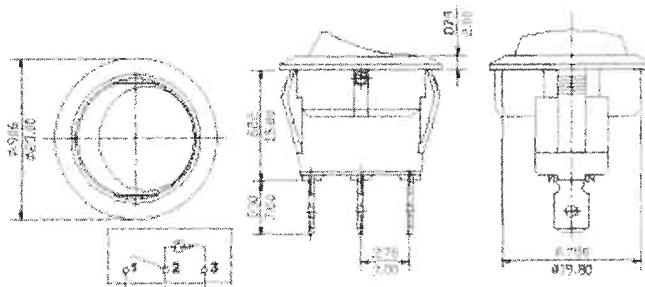
Item



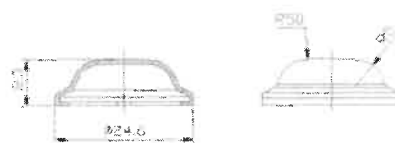
MR2-120-R2-BB-6NN



MR2-110-R2L-BR-NN



WATERPROOF COVER





Glossy Finish Available

 [Start Print](#)

Canal Components Inc. Tel:+886-2-29161263 Fax:+886-2-29117574  
Copyright ©2009 Canal Components Inc.. All rights reserved.