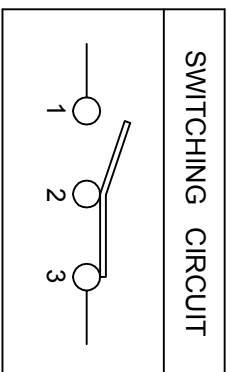
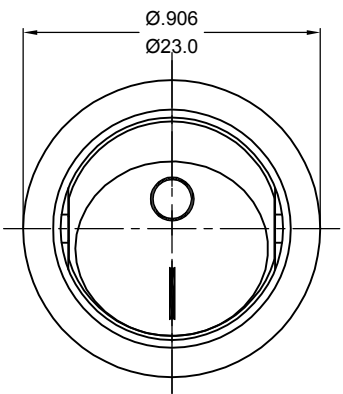
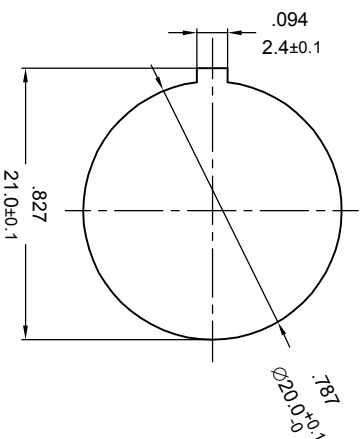
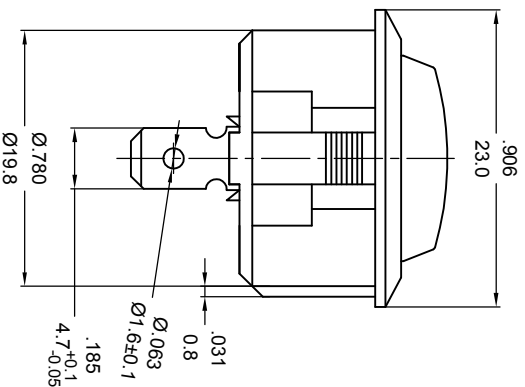
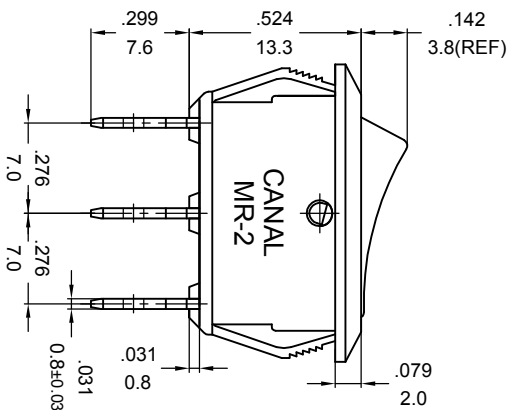


# 嘉尼企業股份有限公司 CANAL ELECTRONIC CO.,LTD.



**ROCKER SWITCH MODEL MR2 SERIES**  
 RATING:16(8)A 125/250V~ (cURus )  
 16(8)A 125/250V~T125/55(ENEC15)  
 16(8)A 250V~ T85 (CQC)  
 DIELECTRIC VOLTAGE-WITHSTAND:1500VAC FOR 1 MINUTE  
 INSULATION RESISTANCE: 500VDC 100MΩ (MIN.)  
 CONTACT RESISTANCE:20mΩ INITIAL (MAX.)



PANEL CUTOUT DIMENSION TABLE

NOTES: TOLERANCES UNLESS OTHERWISE SPECIFIED:±.012/0.3(in/mm)

REVISION	DESCRIPTION	REVISED BY	TOLERANCES		ANGLE $\frac{1}{2}$	SCALE	UNIT	PART NAME	PART NO	DWG NO
			DRAWN BY	CHECKED BY						
△			周俊			5/3	mm	MR2 SPEC DRAWING	MR2-120R5W-NBBB-2BNC	S9216A
△										
△										
△	首次出圖	周俊								
△	2023.03.22					2023.03.22				