

MSS101

ONE TO ONE INTERCOM



MSS101M
Master unit



MSS101S
Substation

MSS101M features

- Press to talk button
- Ample volume 1 Watt
- Auto switch off +/-15s
- Call in buzzer
- Compact
- Simple to install
- Wiring 4 core 0.5mm
- Cable length up to 50M

MSS101S features

- Call button
- Ample volume
- Compact
- Simple to install

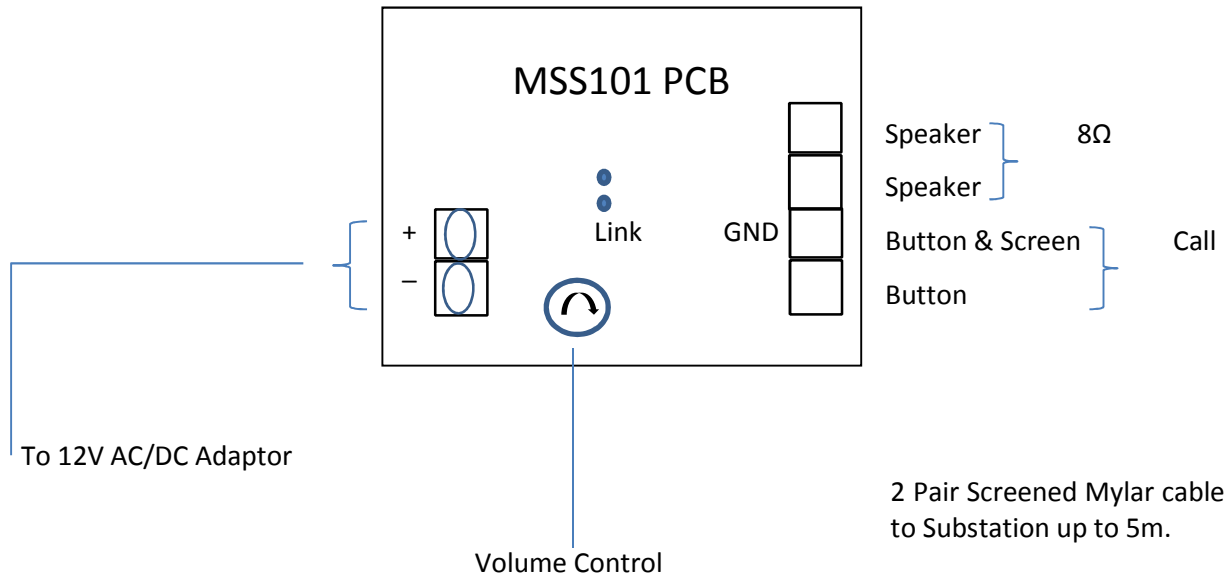
Applications

- Ideal for security windows
- Prisons
- Receptions
- Bank Tellers
- Cash Offices
- Municipalities
- Fast Food Outlets

Kit includes

- 1 x MSS101M master unit
- 1 x MSS101S substation
- 1 x Powersupply 12vdc 1A

MSS101 WIRING



Link OFF – Auto switch off
Link ON – Permanently on

2 Pair Screened Mylar cable
to Substation up to 5m.

Distances further than 5m
use 2 pair FR20 0,8mm
screened cable.