

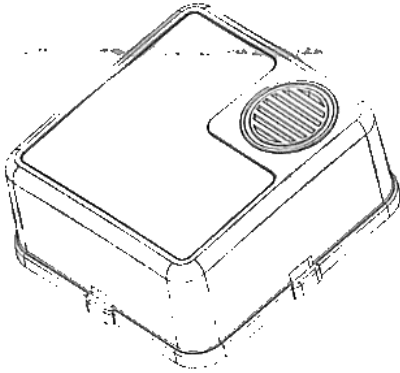
Read these instructions carefully before you start to construct this ALARM and strictly prohibited to use it in or near water

With this kit you can make a simple ROOM ALARM gear which can be connected to a door to keep your room off-limits to unwanted invaders and deter trespassers to give your personal space secured and protected.

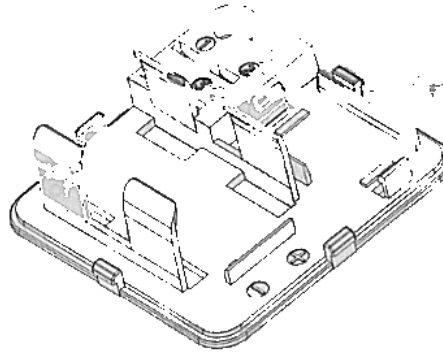
Using the components that came with this kit and few other things, you can build your own ROOM ALARM easily based on a very simple electrical circuit.

CONTENTS OF KIT

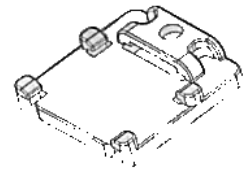
Plastic Upper Case - 1



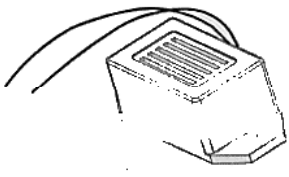
Plastic Bottom Base - 1



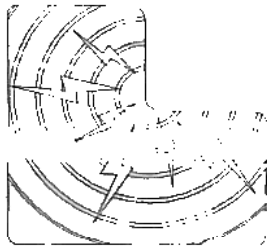
Plastic Contacting Base - 1



Louder Buzzer - 1



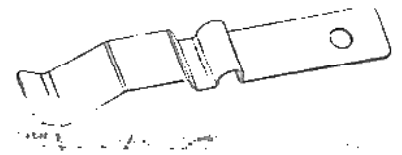
Decoration Sticker - 1



Metal Contactor - 1



Metal Contact Lever - 1



Spring Terminals - 4



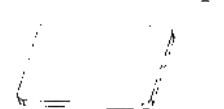
Green Lead - 1



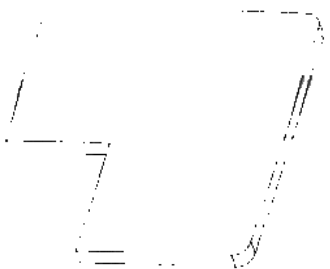
9-volt Battery Clip - 1



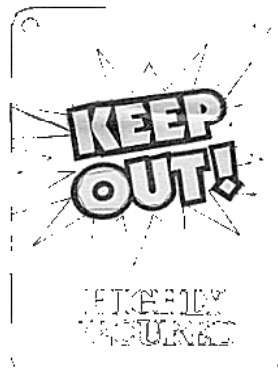
Small Foam Sticker - 1



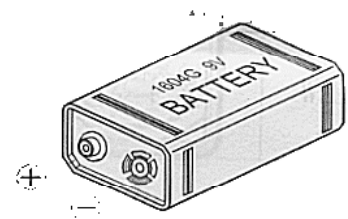
Large Foam Sticker - 1



Door Knob Hanger - 1



You will also need a 9-volt Battery (006p, VS332, or equal, not supplied)



BATTERY

Your ROOM ALARM requires one 9-volt battery (not supplied) for power. For the best performance and longest life, we recommend alkaline battery. Use only a fresh battery of required size and recommended type.

IMPORTANT

Do not mix old and new batteries.

Do not mix alkaline, standard (Carbon-zinc), or rechargeable (Nickel-cadmium) batteries.