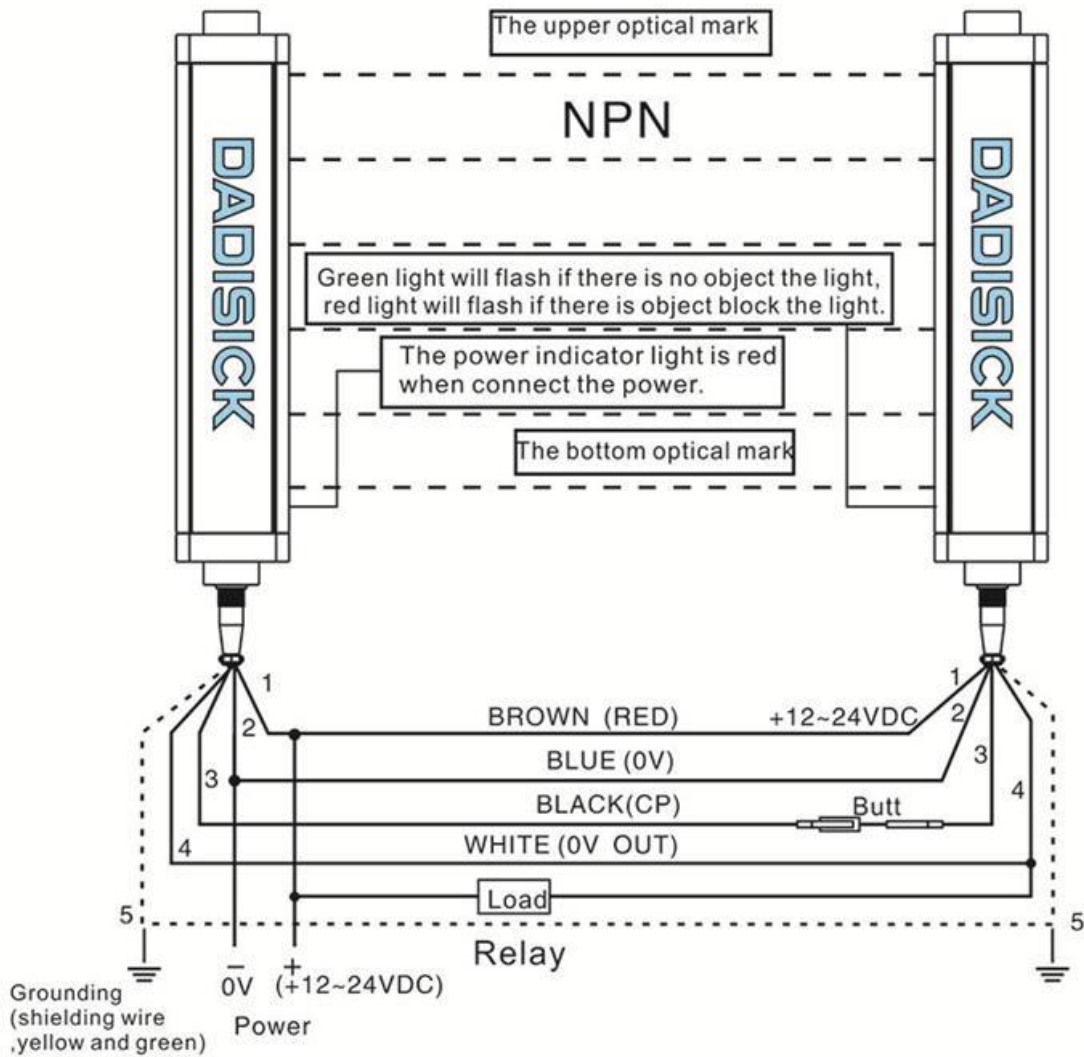


The photo is for PNP single, five wires connection



This photo is for NPN single, five wires connection

• SPECIFICATION

- Note: Special specifications can be customized, and the default distance is 0-3 meters. 10/20/40mm beam pitch is up to 72 beams. If you need the detection range of more than 3 meters, please contact customer service. (Up to 35 meters)

10mm Beam Pitch								
Light Beam	Effective Protection Height mm (H)	Height of Light Curtain mm (L)	Product Model	Output of Signal				Detection distance
				NPN	PNP	NPN	PNP	
6	50	87	QA06/10-50	A	B	C	D	0.3-3m (6m)

8	70	107	QA08/10-70	A	B	C	D	0.3-3m (6m)
10	90	127	QA10/10-90	A	B	C	D	0.3-3m (6m)
12	110	147	QA12/10-110	A	B	C	D	0.3-3m (6m)
14	130	167	QA14/10-130	A	B	C	D	0.3-3m (6m)
16	150	187	QA16/10-150	A	B	C	D	0.3-3m (6m)
18	170	207	QA18/10-170	A	B	C	D	0.3-3m (6m)
20	190	227	QA20/10-190	A	B	C	D	0.3-3m (6m)
22	210	247	QA22/10-210	A	B	C	D	0.3-3m (6m)
24	230	267	QA24/10-230	A	B	C	D	0.3-3m (6m)
26	250	287	QA26/10-250	A	B	C	D	0.3-3m (6m)
28	270	307	QA28/10-270	A	B	C	D	0.3-3m (6m)
30	290	327	QA30/10-290	A	B	C	D	0.3-3m (6m)
32	310	347	QA32/10-310	A	B	C	D	0.3-3m (6m)

14mm Beam Pitch

Light Beam	Effective Protection Height mm (H)	Height of Light Curtain mm (L)	Product Model	Output of Signal				Detection distance
				NPN	PNP	NPN	PNP	
6	70	145	QA06/14-70	A	B	C	D	0.3-3m (6m)
8	98	173	QA08/14-96	A	B	C	D	0.3-3m (6m)
10	126	201	QA10/14-126	A	B	C	D	0.3-3m (6m)

12	154	229	QA12/14-154	A	B	C	D	0.3-3m (6m)
14	182	257	QA14/14-182	A	B	C	D	0.3-3m (6m)
16	210	285	QA16/14-210	A	B	C	D	0.3-3m (6m)
18	238	313	QA18/14-238	A	B	C	D	0.3-3m (6m)
20	266	341	QA20/14-266	A	B	C	D	0.3-3m (6m)
22	294	369	QA22/14-294	A	B	C	D	0.3-3m (6m)
24	322	397	QA24/14-322	A	B	C	D	0.3-3m (6m)
26	350	425	QA26/14-350	A	B	C	D	0.3-3m (6m)
28	378	453	QA28/14-378	A	B	C	D	0.3-3m (6m)
30	406	481	QA30/14-406	A	B	C	D	0.3-3m (6m)
32	434	509	QA32/14-434	A	B	C	D	0.3-3m (6m)

20mm Beam Pitch

Light Beam	Effective Protection Height mm (H)	Height of Light Curtain mm (L)	Product Model	Output of Signal				Detection distance
				NPN	PNP	NPN	PNP	
4	60	131	QA04/20-60	A	B	C	D	0.3-3m (6m)
6	100	171	QA06/20-100	A	B	C	D	0.3-3m (6m)
8	140	211	QA08/20-140	A	B	C	D	0.3-3m (6m)
10	180	251	QA10/20-180	A	B	C	D	0.3-3m (6m)
12	220	291	QA12/20-220	A	B	C	D	0.3-3m (6m)

14	260	331	QA14/20-260	A	B	C	D	0.3-3m (6m)
16	300	371	QA16/20-300	A	B	C	D	0.3-3m (6m)
18	340	411	QA18/20-340	A	B	C	D	0.3-3m (6m)
20	380	451	QA20/20-380	A	B	C	D	0.3-3m (6m)
22	420	491	QA22/20-420	A	B	C	D	0.3-3m (6m)
24	460	531	QA24/20-460	A	B	C	D	0.3-3m (6m)
26	500	571	QA26/20-500	A	B	C	D	0.3-3m (6m)
28	540	611	QA28/20-540	A	B	C	D	0.3-3m (6m)
30	580	651	QA30/20-580	A	B	C	D	0.3-3m (6m)
32	620	691	QA32/20-620	A	B	C	D	0.3-3m (6m)

25mm Beam Pitch

Light Beam	Effective Protection Height mm (H)	Height of Light Curtain mm (L)	Product Model	Output of Signal				Detection distance
				NPN	PNP	NPN	PNP	
6	125	198	QA06/25-125	A	B	C	D	0.3-3m (6m)
8	175	248	QA08/25-175	A	B	C	D	0.3-3m (6m)
10	225	298	QA10/25-225	A	B	C	D	0.3-3m (6m)
12	275	348	QA12/25-275	A	B	C	D	0.3-3m (6m)
14	325	398	QA14/25-325	A	B	C	D	0.3-3m (6m)
16	375	448	QA16/25-375	A	B	C	D	0.3-3m (6m)

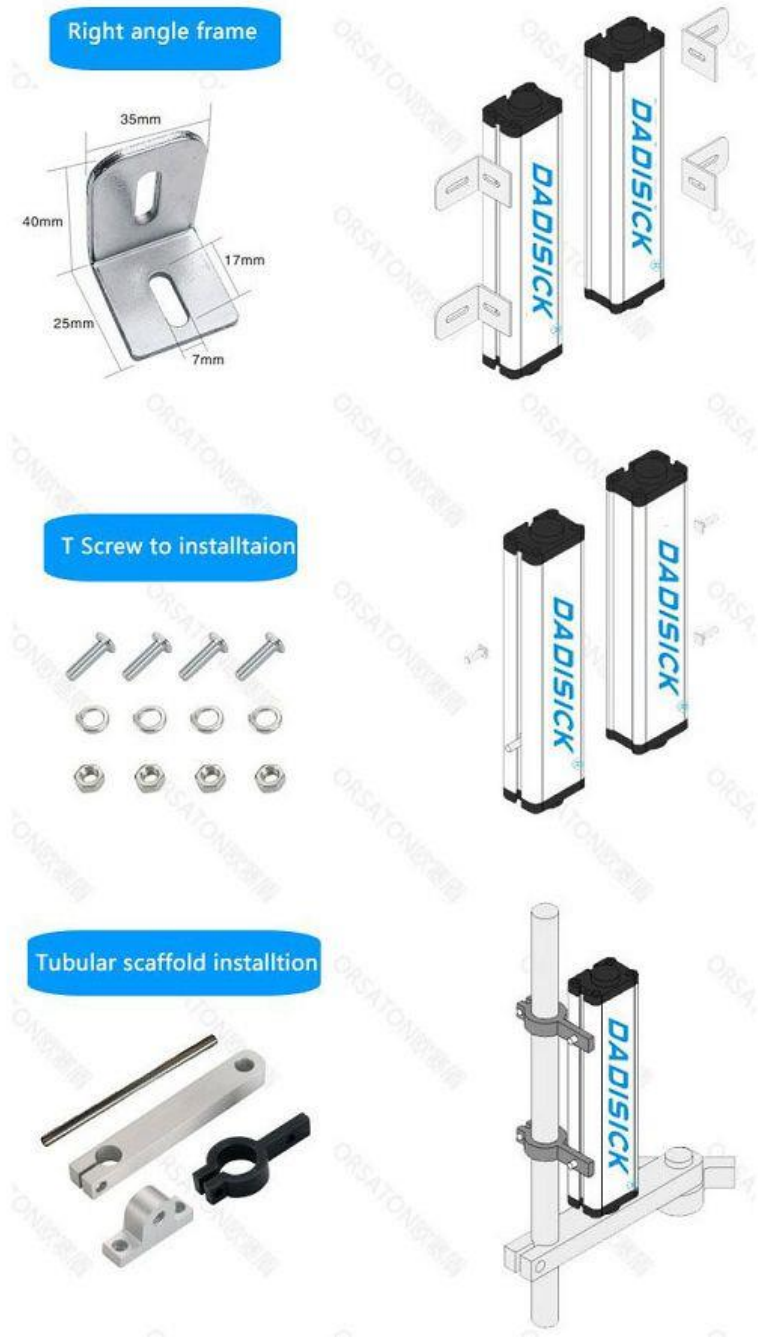
18	425	498	QA18/25-425	A	B	C	D	0.3-3m (6m)
20	475	548	QA20/25-475	A	B	C	D	0.3-3m (6m)
22	525	598	QA22/25-525	A	B	C	D	0.3-3m (6m)
24	575	648	QA24/25-575	A	B	C	D	0.3-3m (6m)
26	625	698	QA26/25-625	A	B	C	D	0.3-3m (6m)
28	675	748	QA28/25-675	A	B	C	D	0.3-3m (6m)
30	725	798	QA30/25-725	A	B	C	D	0.3-3m (6m)
32	775	848	QA32/25-775	A	B	C	D	0.3-3m (6m)
30mm Beam Pitch								
Light Beam	Effective Protection Height mm (H)	Height of Light Curtain mm (L)	Product Model	Output of Signal				Detection distance
				NPN	PNP	NPN	PNP	
4	90	163	QA04/30-90	A	B	C	D	0.3-3m (6m)
6	150	223	QA06/30-150	A	B	C	D	0.3-3m (6m)
8	210	283	QA08/30-210	A	B	C	D	0.3-3m (6m)
10	270	343	QA10/30-270	A	B	C	D	0.3-3m (6m)
12	330	403	QA12/30-330	A	B	C	D	0.3-3m (6m)
14	390	463	QA14/30-390	A	B	C	D	0.3-3m (6m)
16	450	523	QA16/30-450	A	B	C	D	0.3-3m (6m)
18	510	583	QA18/30-510	A	B	C	D	0.3-3m (6m)

20	570	643	QA20/30-570	A	B	C	D	0.3-3m (6m)
22	630	703	QA22/30-630	A	B	C	D	0.3-3m (6m)
24	690	763	QA24/30-690	A	B	C	D	0.3-3m (6m)
26	750	823	QA26/30-750	A	B	C	D	0.3-3m (6m)
28	810	883	QA28/30-810	A	B	C	D	0.3-3m (6m)
30	870	943	QA30/30-870	A	B	C	D	0.3-3m (6m)
32	930	1003	QA32/30-930	A	B	C	D	0.3-3m (6m)
40mm Beam Pitch								
Light Beam	Effective Protection Height mm (H)	Height of Light Curtain mm (L)	Product Model	Output of Signal				Detection distance
				NPN	PNP	NPN	PNP	
4	120	201	QA04/40-120	A	B	C	D	0.3-3m (6m)
6	200	281	QA06/40-200	A	B	C	D	0.3-3m (6m)
8	280	361	QA08/40-280	A	B	C	D	0.3-3m (6m)
10	360	441	QA10/40-360	A	B	C	D	0.3-3m (6m)
12	440	521	QA12/40-440	A	B	C	D	0.3-3m (6m)
14	520	601	QA14/40-520	A	B	C	D	0.3-3m (6m)
16	600	681	QA16/40-600	A	B	C	D	0.3-3m (6m)
18	680	761	QA18/40-680	A	B	C	D	0.3-3m (6m)
20	760	841	QA20/40-760	A	B	C	D	0.3-3m (6m)

22	840	921	QA22/40-840	A	B	C	D	0.3-3m (6m)
24	920	1001	QA24/40-920	A	B	C	D	0.3-3m (6m)
26	1000	1081	QA26/40-1000	A	B	C	D	0.3-3m (6m)
28	1080	1161	QA28/40-1080	A	B	C	D	0.3-3m (6m)
30	1160	1241	QA30/40-1160	A	B	C	D	0.3-3m (6m)
32	1240	1321	QA32/40-1240	A	B	C	D	0.3-3m (6m)
80mm Beam Pitch								
Light Beam	Effective Protection Height mm (H)	Height of Light Curtain mm (L)	Product Model	Output of Signal				Detection distance
				NPN	PNP	NPN	PNP	
4	240	341	QA04/80-240	A	B	C	D	0.3-3m (6m)
6	400	501	QA06/80-400	A	B	C	D	0.3-3m (6m)
8	560	661	QA08/80-560	A	B	C	D	0.3-3m (6m)
10	720	821	QA10/80-720	A	B	C	D	0.3-3m (6m)
12	880	981	QA12/80-880	A	B	C	D	0.3-3m (6m)
14	1040	1141	QA14/80-1040	A	B	C	D	0.3-3m (6m)
16	1200	1301	QA16/80-1200	A	B	C	D	0.3-3m (6m)
18	1360	1461	QA18/80-1360	A	B	C	D	0.3-3m (6m)
20	1520	1621	QA20/80-1520	A	B	C	D	0.3-3m (6m)
22	1680	1781	QA22/80-1680	A	B	C	D	0.3-3m (6m)

24	1840	1941	QA24/80-1840	A	B	C	D	0.3-3m (6m)
26	2000	2101	QA26/80-2000	A	B	C	D	0.3-3m (6m)
28	2160	2261	QA28/80-2160	A	B	C	D	0.3-3m (6m)
30	2320	2421	QA30/80-2320	A	B	C	D	0.3-3m (6m)
32	2480	2581	QA32/40-2480	A	B	C	D	0.3-3m (6m)

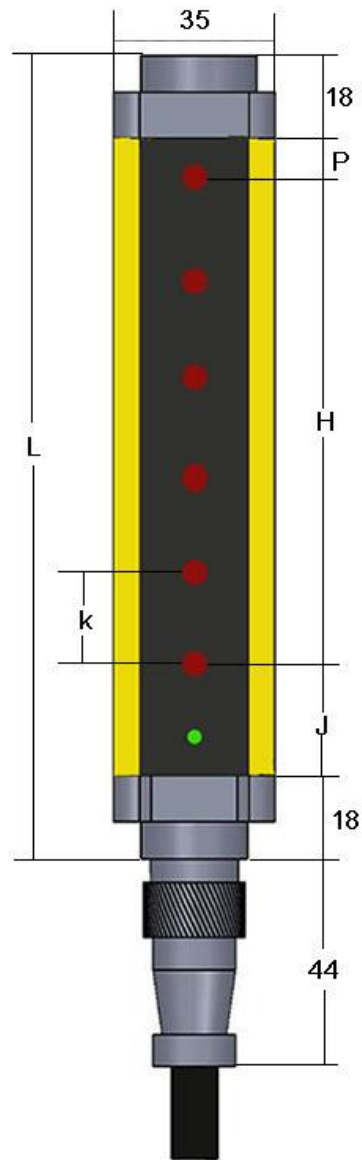
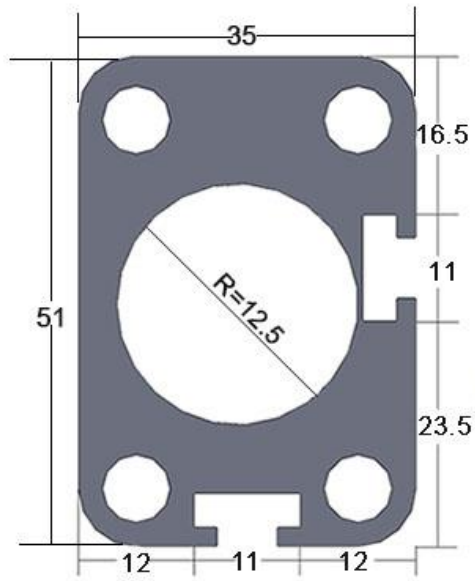
• INSTALLATION



• PARAMETER

TECHNICAL PARAMETER			
Protection Height	Distance of optic axis*(Qty of beam-1)	Reaction Time	≤15ms
Detection Range	30~3000mm, 30~6000mm	Interference of Light	10000Lux

			(Angle of incidence $\geq 5^\circ$)
Type of Light Curtain	Through-beam	Protection Level	IP65
Appearance Dimension	35x50.8mmxJmm (J is the length of transmitter /receiver)	Controller	QCA/QCA2
Light Source	Infrared LED	Consumption of Current	$\leq 200\text{mA}$
Ambient Humidity	Operating:35~85%RH Saving:35~95%RH	Working Temperature	Operating:-10~+40°C(do not freeze), Saving:-25~+55°C
Connection	Circular air outlet,with special connection cable,4 cores wire for transmitter 5 cores wire for receiver		
Indication lights	Transmitter: Power supply indicates red, Receiver: Output indicates green,block: the light indicates red		
Ambient light	Natural light: receiving surface 3000Lx; Sunlight: receiving surface 10000Lx		
Power Supply	DC12/24V AC110—220V (equip with controller, relay passive output)		
Housing Material	Aluminium alloy,end cover:ABS reinforced nylon		
Output Status	All optic axis turn ON once powered (shows green)		
Output	NPN\PNP, input current 500mA,voltage drop: less than1.5V, reverse polarity, short-circuit, overload protection		



$H = (n-1) \cdot k = \text{保护高度}$

$k = 10\text{mm}$

$L = P + H + J + 36 = \text{光幕总长度}$

$n = \text{光轴数}$

k (mm)	10	14	20	25	30	40	80
P (mm)	5	7	10	12.5	15	20	40
J (mm)	32	32	25	25	25	25	25