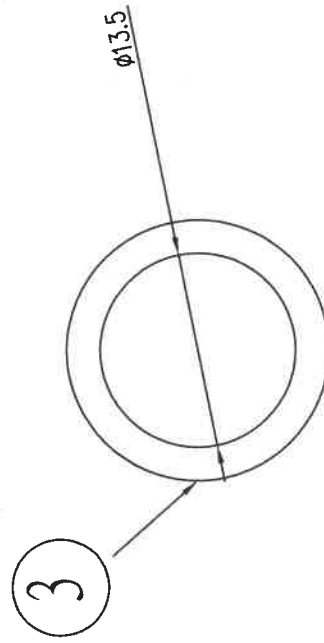
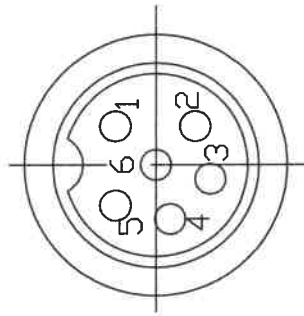
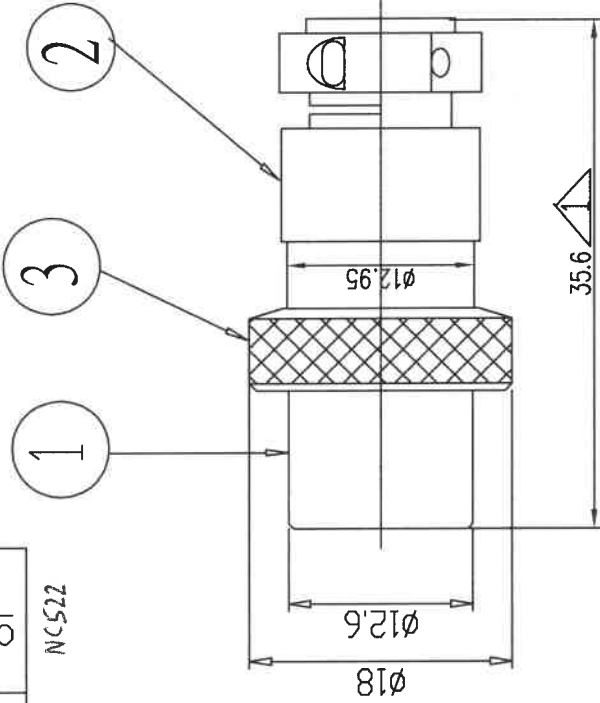
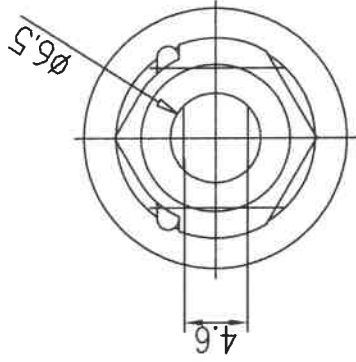


2P	3P	4P	5P	6P	8P

NC510 NC512 NC514 NC516 NC518 NC522



RING

NO	DESCRIPTION	MATERIAL	QTY
1	BODY	BAKELITE	1
2	HOUSING	ZINC, NICKEL	1
3	RING	BRONZE, NICKEL	1

94.10.18	增加銅環尺寸	核准日期	Date	設計	Designed By	比例尺	Scale
92.7.23	尺寸由原先35.2mm加長至35.6mm	3 DEC 2008		C.J HUANG	2:1		
	修正說明	核准	Approved By	繪圖	Drew By	單位	UN
		J.F. WANG		C.T WANG	m/m		

TOLERANCES
0.5MM-5MM=±0.2MM
5MM-30MM=±0.4MM
30MM-120MM=±0.6MM
120MM-315MM=±1.0MM
315MM-1000MM=±1.6MM
1000MM-2000MM=±2.4MM

WTN-11-104	REF.NO.
NIC CONNECTOR, FEMALE TYPE	
NICKEL PLATED	

**COMMUNICA (PTY) LTD**  
 A WORLD OF ELECTRONICS Reg. No. 1979/003717/07  
 ■ HEAD OFFICE  
 Tel (012) 657-3500  
 Fax (012) 657-3550  
 E-Mail: sales@communicaco.za  
 Web: www.communicaco.za

■ CAPE TOWN  
 Tel (021) 447-0948  
 Fax (021) 447-0959

■ PRETORIA  
 Tel (012) 328-7008  
 Fax (012) 328-7018