



## SPECIFICATIONS SHEET

**PRODUCT TYPE : PIEZO BUZZER**

**PRODUCT SERIES : DB-E298**

**DESCRIPTION : PZ BUZZER SINGLE 12VDC L/W ABS**

**3.4 +/- 0.1mm EAR HOLE SP RoHS**

**COLOR : BLACK**

### ELECTRICAL SPECIFICATIONS

<b>MODEL NO.</b>		<b>29SL3120LF-001</b>
<b>OPERATING VOLTAGE RANGE</b> (VDC)		<b>1.5 ~ 20.0</b>
<b>RATED VOLTAGE</b> (VDC)		<b>12.0</b>
* <b>MAX. RATED CURRENT</b> (mA)		<b>10.0</b>
* <b>MIN. SOUND OUTPUT</b> (dBA/ 30 cm)		<b>96.0</b>
* <b>FREQUENCY</b> (Hz)		<b>2800 ± 500</b>
<b>TONE NATURE</b>		<b>SINGLE</b>
<b>OPERATING TEMPERATURE</b> (°C)		<b>- 40.0 ~ +65.0</b>
<b>TERMINAL</b>		<b>LEADWIRE (UL1007 , AWG#28 )</b>
<b>HOUSING MATERIAL</b>		<b>ABS</b>
<b>WEIGHT</b> (g)		<b>14.0</b>

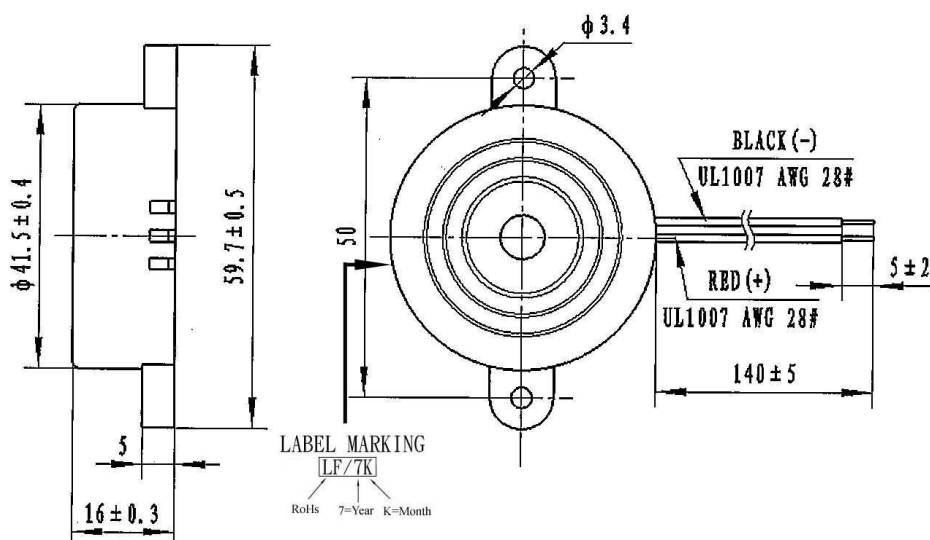
\* Value applying at rated voltage

### DIMENSIONS

UNIT : mm

SIDE VIEW

TOP VIEW



Approved By :   
Date : 4-Aug.-2010

Prepared By :   
Date : 4-Aug.-2010

Modify :	Date :	By :
Operating Voltage Range change to 1.5 ~ 20 VDC	4-Aug-10	Joey