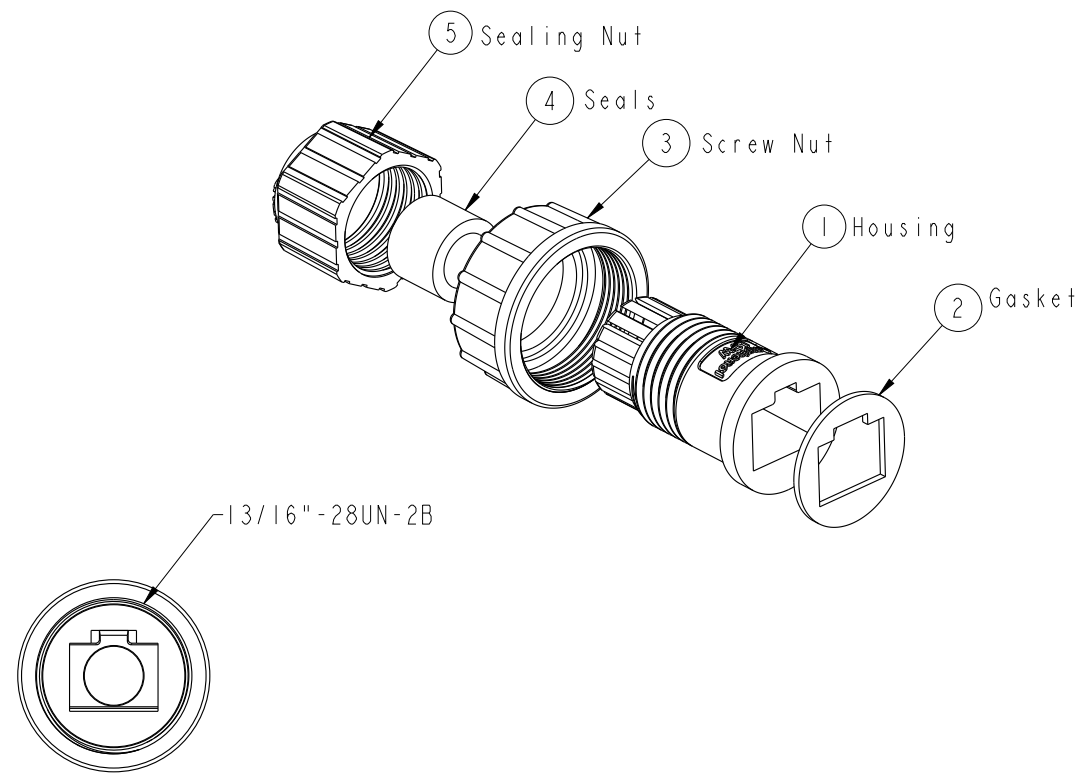
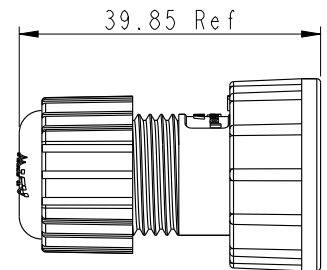
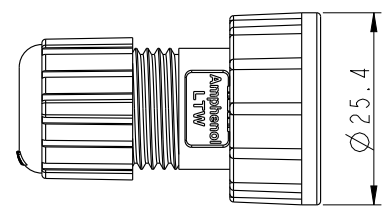


THIS DOCUMENT IS SUBJECT TO CHANGE WITHOUT NOTICE. IT IS CONFIDENTIAL AND A PROPERTY OF Amphenol LTW. DISCLOSURE TO THIRD PARTY HAS TO BE AUTHORIZED BY Amphenol LTW.

REV.	ECN NO.	DATE	SIGN	DESCRIPTION
A	Initial Release	2014/05/09	Tom	Change Rev. 01 To A
B	LEN1460065	2014/06/18	Tom	Change Temperature Range
C	LE31490137	2014-09-03	Joy	Change to 94 V0 material



- Note:
- * \varnothing Important Dimension To Check.
 - * Waterproof Rate: IP67(Mating)
 - * Housing: Nylon 66, Black.
 - * Gasket: Silicone, Gray
 - * Seals: Silicone, Gray
 - * Screw Nut : Zinc Alloy, Nickel Plated
 - * Sealing Nut : NYLON+GF, BK
 - * Temperature Range : -40~+105 °C
 - * Seals for cable OD= \varnothing 4.5~6.5mm
 - * One Set Unassembled in One PE Bag

UNIT : mm		
TOLERANCE	.X ±0.25	
.XX ±0.1		
.XXX ±0.05		
ANGLES	±1°	

TITLE RJ45 ASSY, METAL, C SIZE, W/O SR			
SCALE 1:1	SIZE A4	SHEET 1 OF 1	
REV. C	WC-REV. A.5	\varnothing : Inspection item	

Amphenol LTW
安費諾亮泰企業股份有限公司

ITEM NO. RCM-00BMMMA-SLM7001	DRAWN BY Joy	DATE 2014-09-03
DWG NO. RCM-00BMMMA-SLM7001	CHECKED BY Tom	DATE 2014-09-03
CUSTOMER ALTW	APPROVED BY Victor	DATE 2014-09-03