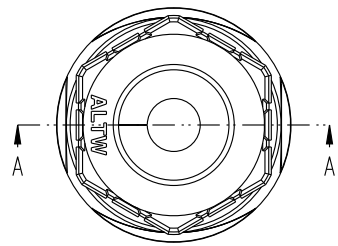
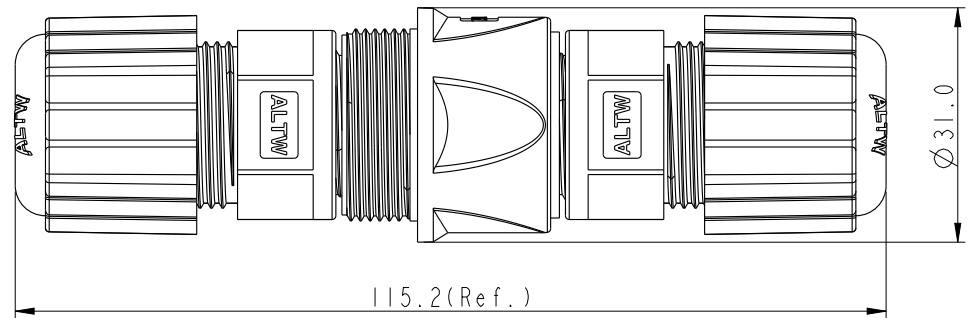
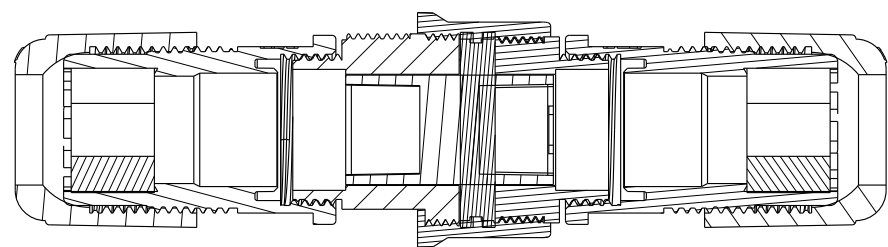


| | | | | |
|------|---------|------|------|-------------|
| REV. | ECN NO. | DATE | SIGN | DESCRIPTION |
| | | | | |

THIS DOCUMENT IS SUBJECT TO CHANGE WITHOUT NOTICE. IT IS CONFIDENTIAL AND A PROPERTY OF AMPHENOL LTW. DISCLOSURE TO THIRD PARTY HAS TO BE AUTHORIZED BY AMPHENOL LTW.

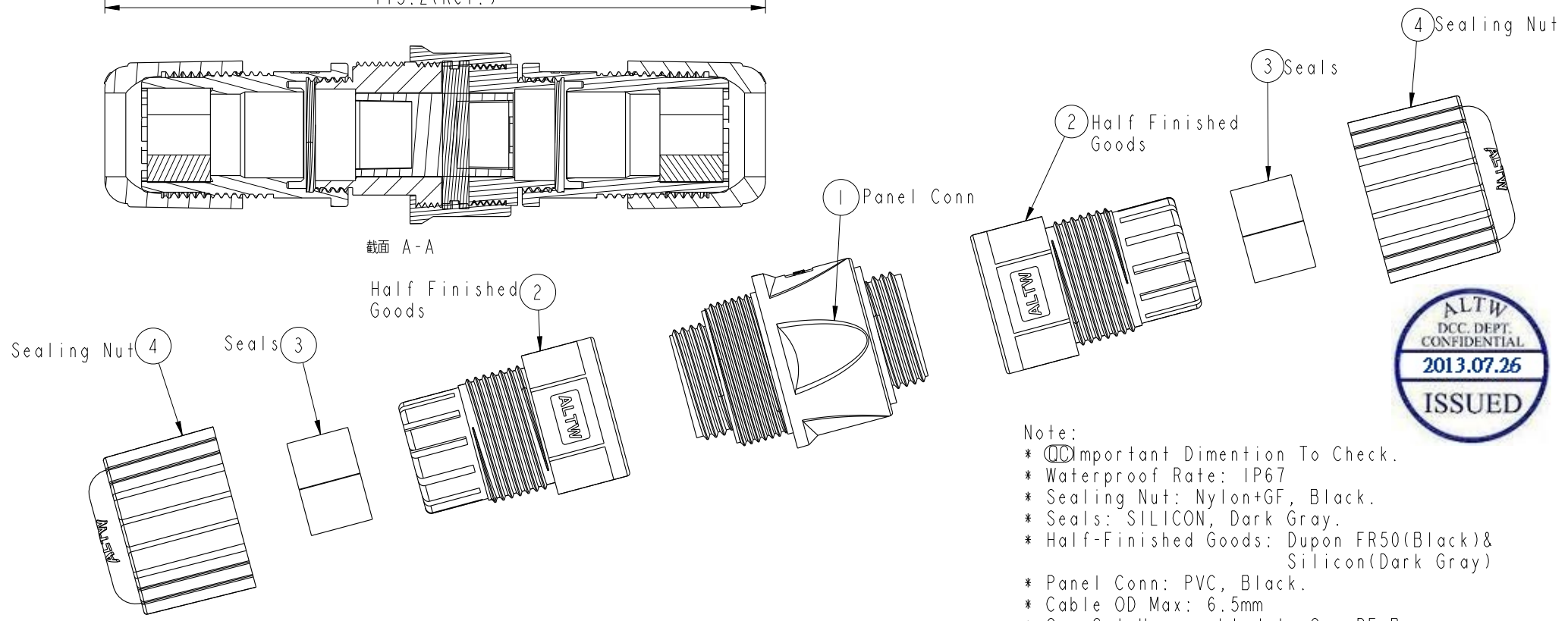


ALTW
CONFIDENTIAL
 2013-07-16
R&D DEPT.



截面 A-A

Half Finished Goods



ALTW
 DCC. DEPT.
 CONFIDENTIAL
 2013.07.26
ISSUED

- Note:
- * \varnothing Important Dimension To Check.
 - * Waterproof Rate: IP67
 - * Sealing Nut: Nylon+GF, Black.
 - * Seals: SILICON, Dark Gray.
 - * Half-Finished Goods: Dupon FR50(Black)& Silicon(Dark Gray)
 - * Panel Conn: PVC, Black.
 - * Cable OD Max: 6.5mm
 - * One Set Unassembled In One PE Bag.

UNIT: mm

| | |
|-----------|-------|
| TOLERANCE | |
| .X | ±0.25 |
| .XX | ±0.1 |
| .XXX | ±0.05 |
| ANGLES | ±1° |

| | | | |
|--|----------------|---------------------------------|--|
| TITLE RJ45 D SIZE DOUBLE SCREW BOTH SIDE ASSY F CONN F PIN | | | |
| SCALE 1:1 | SIZE A4 | SHEET 1 OF 1 | |
| REV. A | WC-REV. A.8 | \varnothing : Inspection item | |

Amphenol LTW
 安費諾亮泰企業股份有限公司

| | | |
|-------------------------------|---------------------------|--------------------|
| ITEM NO RDP-00BFFA-SLM7001 | DRAWN BY Laurence_zang | DATE 2013-07-16 |
| DWG NO RDP-00BFFA-SLM7001 | CHECKED BY Raison | DATE 2013-07-16 |
| CUSTOMER TBD | APPROVED BY Victor | DATE 2013-07-16 |

Mouser Electronics

Authorized Distributor

Click to View Pricing, Inventory, Delivery & Lifecycle Information:

[Amphenol:](#)

[RDP-00BFFA-SLM7001](#)