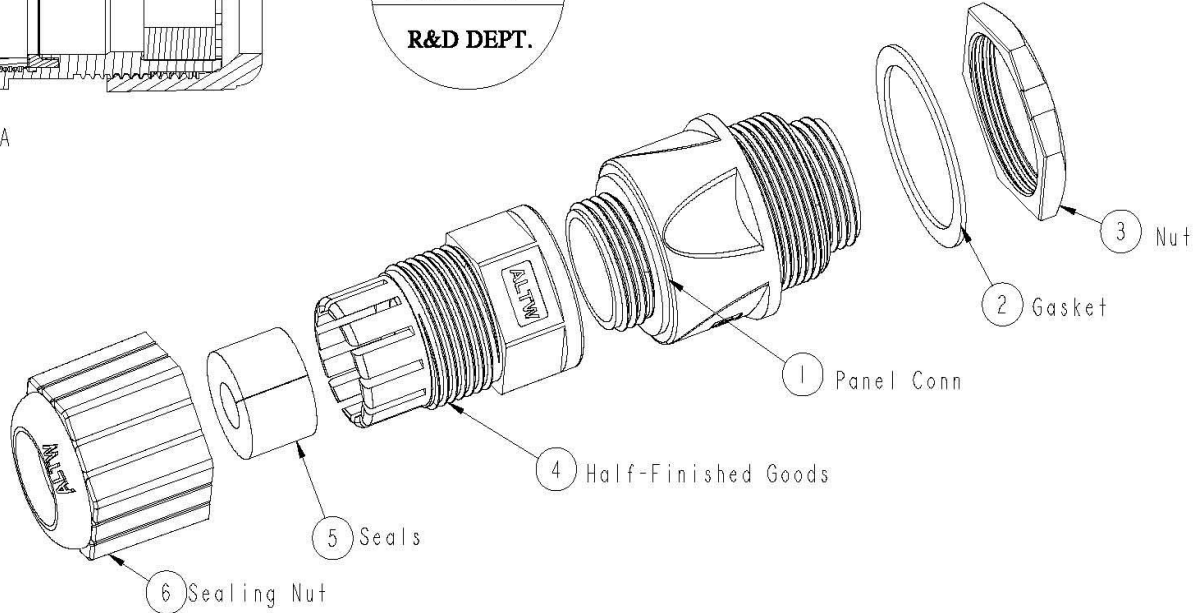
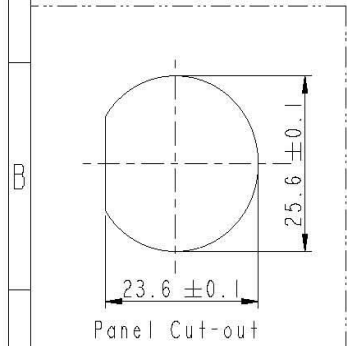
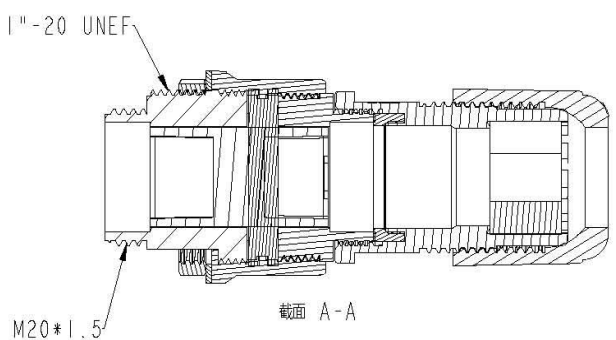
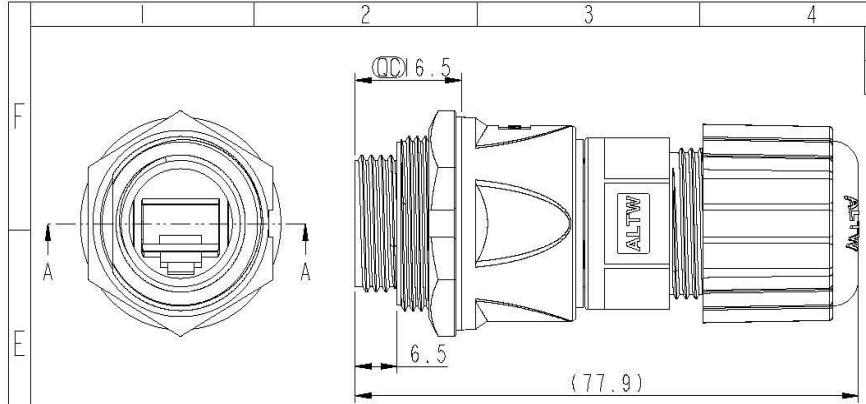
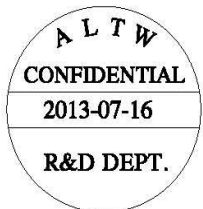


REV.	ECN NO.	DATE	SIGN	DESCRIPTION

Note:
 * \varnothing Important Dimension To Check
 * Waterproof Rate: IP67
 * Sealing Nut: Nylon+GF, Black
 * Seals: Silicon, Dark Gray.
 * Half Finished Goods: Nylon, Black & Silicon, Dark Gray
 * Panel Conn: ABS, 94V-0, Black
 * Maximum Panel Thickness: 3.5mm
 * Cable OD Max: 6.5mm.
 * One Set Unassembled In One PE Bag.



UNIT: mm	TITLE RJ45 D SIZE DOUBLE SCREW DOUBLE SIDE ASSY F CONN F PIN		
	SCALE 1:1	SIZE A4	SHEET 1 OF 1
	REV. A	NC-REV. A.9	\varnothing : Inspection item
	TOLERANCE .X ±0.25 .XX ±0.1 .XXX ±0.05 ANGLES ±1°		

Amphenol LTW 安費諾亮泰企業股份有限公司	ITEM NO RDP-00DFFA-SLM7001	DRAWN BY Laurence_zang	DATE 2013-07-16
	DWG NO RDP-00DFFA-SLM7001	CHECKED BY Raison_Liao	DATE 2013-07-16
	CUSTOMER ALTW	APPROVED BY Victor Huang	DATE 2013-07-16
	FWI10702-01-02A1		

THIS DOCUMENT IS SUBJECT TO CHANGE WITHOUT NOTICE. IT IS CONFIDENTIAL AND A PROPERTY OF Amphenol LTW. DISCLOSURE TO THIRD PARTY HAS TO BE AUTHORIZED BY Amphenol LTW.