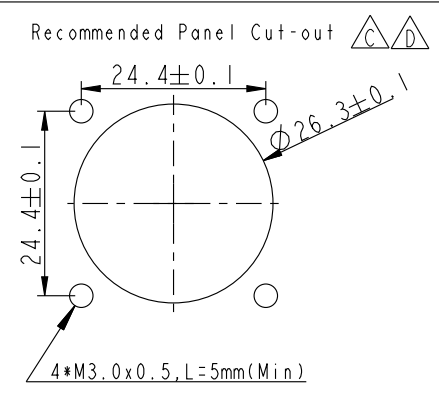
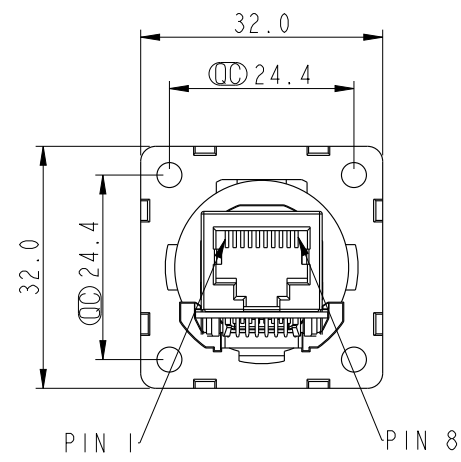
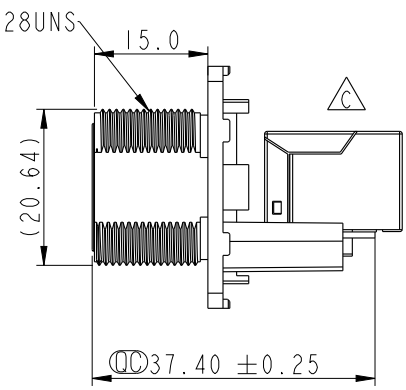
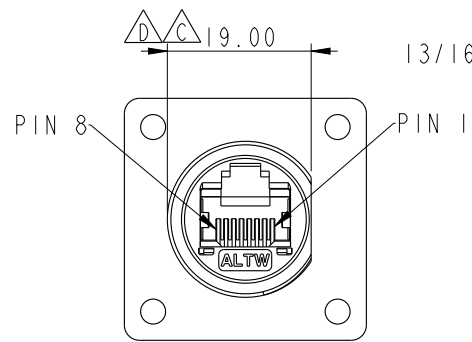
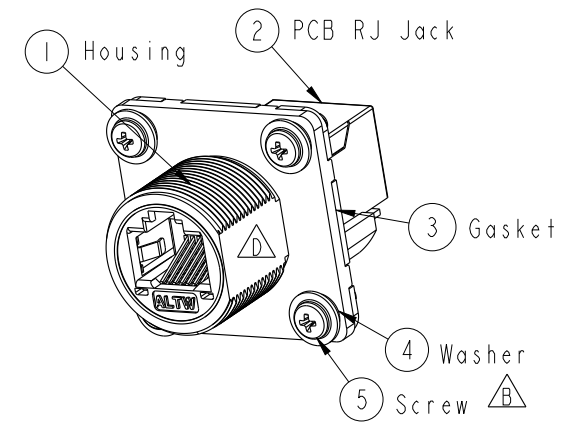
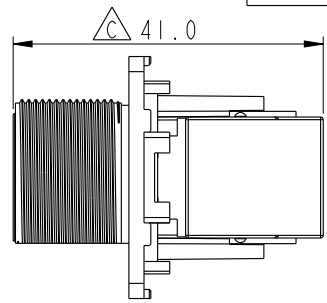


THIS DOCUMENT IS SUBJECT TO CHANGE WITHOUT NOTICE. IT IS CONFIDENTIAL AND A PROPERTY OF AMPHENOL LTW. DISCLOSURE TO THIRD PARTY HAS TO BE AUTHORIZED BY AMPHENOL LTW.

REV.	ECN NO.	DATE	SIGN	DESCRIPTION
B	LEN1360111	2013/06/14	Cary	Change Note & Panel Cut-out
C	LE313A0313	2013-09-07	Raison	Modify Jack, Note, Screw, H Cut
D	LE31480161	2014-07-14	Tom	Change D Cut, Gasket

ALTW
CONFIDENTIAL
2014-07-14
R&D DEPT.



ALTW
DCC. DEPT.
CONFIDENTIAL
2014.08.12
ISSUED

Note:

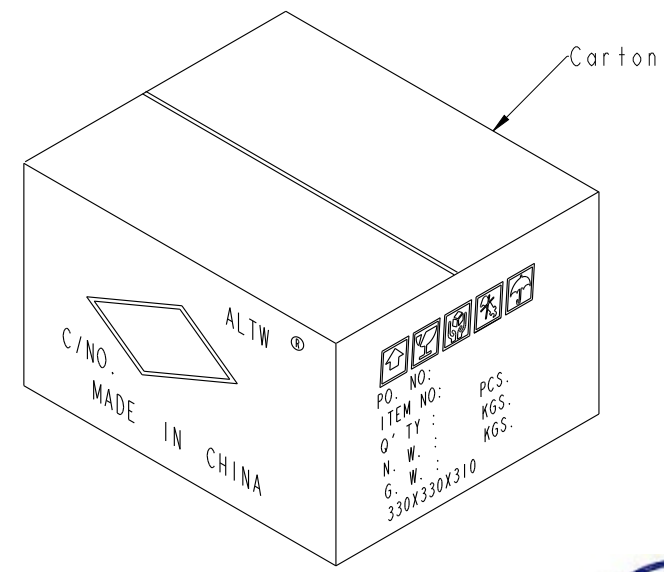
- * \varnothing Important Dimension
- * Waterproof Rate : IP67 Mated
- * Housing : Nylon+GF, BLACK
- * \triangle/\triangle Screw : S. STEEL, M3*0.5 L=8.0
- * Gasket : Silicone,, Gray.
- * PCB: FR-4
- * Jack : PBT Polyester
- * \triangle/\triangle Screw torsion value range: 3~3.5kgf-cm
- * \triangle/B Temperature Range: -40°C to 105°C

UNIT : mm		TITLE		ITEM NO	DRAWN BY	DATE
		RJ45, C SIZE, MATED WATERPROOF SQUARE \triangle/B				
TOLERANCE		SCALE	SIZE	DWG NO	CHECKED BY	DATE
.X ±0.25		1:1	A4	RCP-5SPFFH-SSM7001	Ludi	2014-07-14
.XX ±0.1		REV.	WC-REV.	CUSTOMER	APPROVED BY	DATE
.XXX ±0.05		D	C.2	ALTW	Victor	2014-07-14
ANGLES ±1°		\varnothing : Inspection item				

Amphenol LTW
安費諾亮泰企業股份有限公司

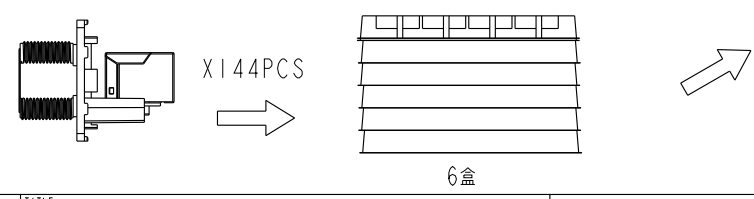
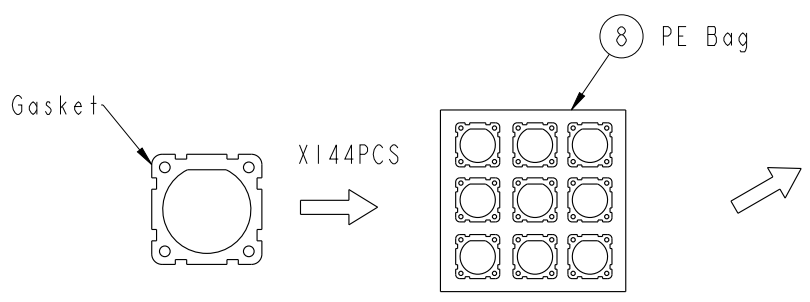
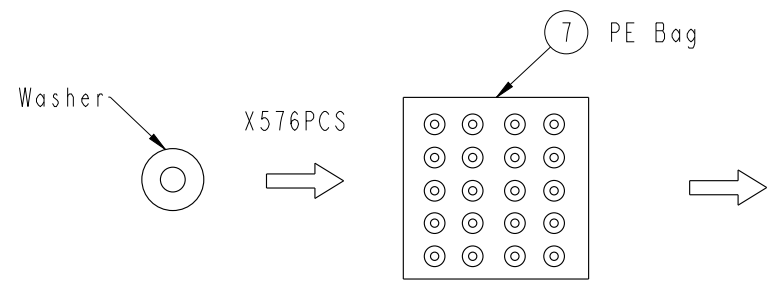
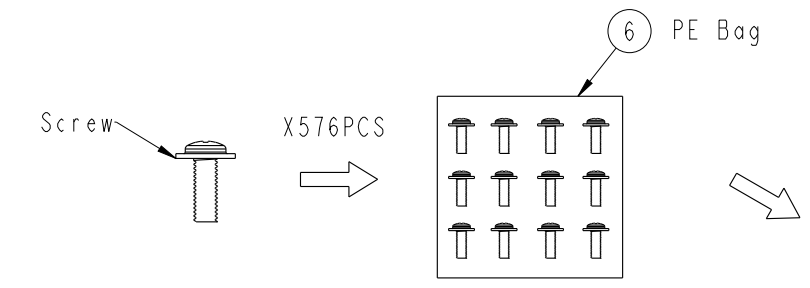
THIS DOCUMENT IS SUBJECT TO CHANGE WITHOUT NOTICE. IT IS CONFIDENTIAL AND A PROPERTY OF Amphenol LTW. DISCLOSURE TO THIRD PARTY HAS TO BE AUTHORIZED BY Amphenol LTW.

ALTW
CONFIDENTIAL
2014-07-14
R&D DEPT.



ALTW
DCC. DEPT.
CONFIDENTIAL
2014.08.12
ISSUED

Note:
 * Important Dimension
 * 1PCS產品配1PCS Gasket, 4PCS Washer, 4PCS Screw
 * 配件的出貨數量參考實際產品出貨數量



UNIT: mm		
TOLERANCE	.X	±0.25
	.XX	±0.1
	.XXX	±0.05
ANGLES		±1°

TITLE RJ45,C SIZE,MATED WATERPROOF SQUARE		
SCALE 1:1	SIZE A4	SHEET 2 OF 2
REV. D	WC-REV. C.2	: Inspection item

Amphenol LTW
安費諾亮泰企業股份有限公司

ITEM NO. RCP-5SPFFH-SSM7001	DRAWN BY Tom	DATE 2014-07-14
DWG NO. RCP-5SPFFH-SSM7001	CHECKED BY Ludi	DATE 2014-07-14
CUSTOMER ALTW	APPROVED BY Victor	DATE 2014-07-14

DATE 2014-07-14
DATE 2014-07-14
DATE 2014-07-14