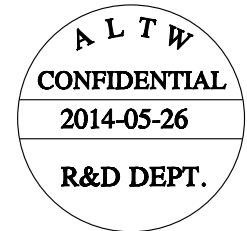
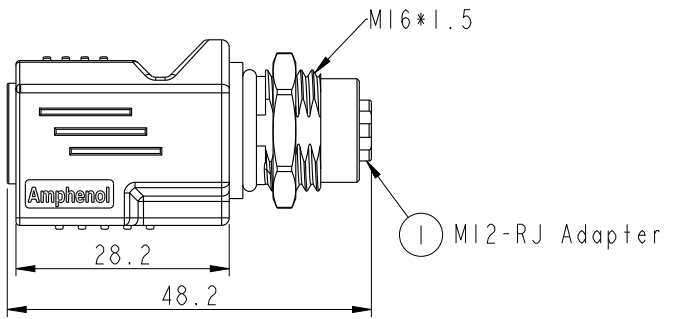
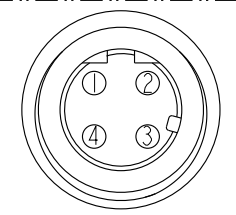
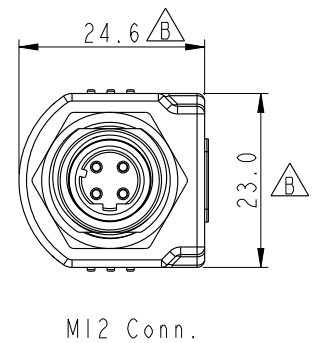
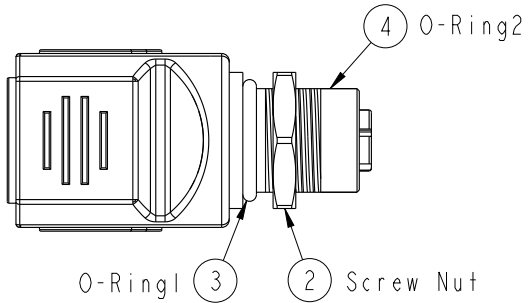
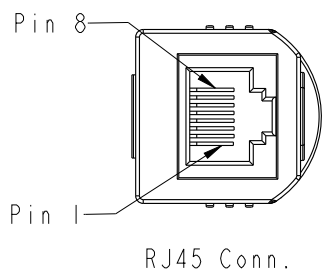


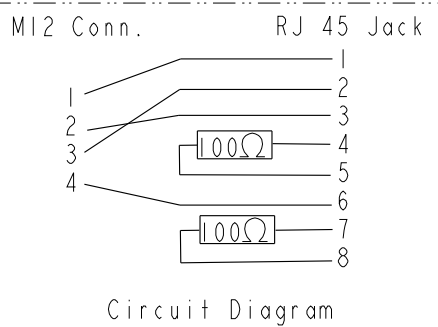
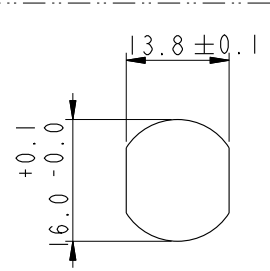
THIS DOCUMENT IS SUBJECT TO CHANGE WITHOUT NOTICE. IT IS CONFIDENTIAL AND A PROPERTY OF Amphenol LTW. DISCLOSURE TO THIRD PARTY HAS TO BE AUTHORIZED BY Amphenol LTW.

REV.	ECN NO.	DATE	SIGN	DESCRIPTION
A		2013-02-06	Lu Di	Change Rev.01 To Rev.A
B	LE31350017	2013-04-22	Lu Di	Add The Dimensions
C	LE31460009	2014-05-26	Tony_leng	Change O-Ring



Note:

- * \varnothing Important Dimension
- * Waterproof Rate: IP65(MOLDING)
- * Waterproof Rate: IP68(M12) (Under Water 1M 24 hours)
- * Pin: Copper Alloy, Gold Plated
- * Nut: Zinc Alloy, Nickel Plated
- * Shield: Copper Alloy, Nickel Plated
- * O-Ring1: Silicone, UL94V-0, Gray.
- * O-Ring2: Silicone, UL94V-0, Gray.
- * Jack: PBT, Black.
- * Housing: Nylon+GF, Black.
- * Panel Thickness Max: 5.0mm



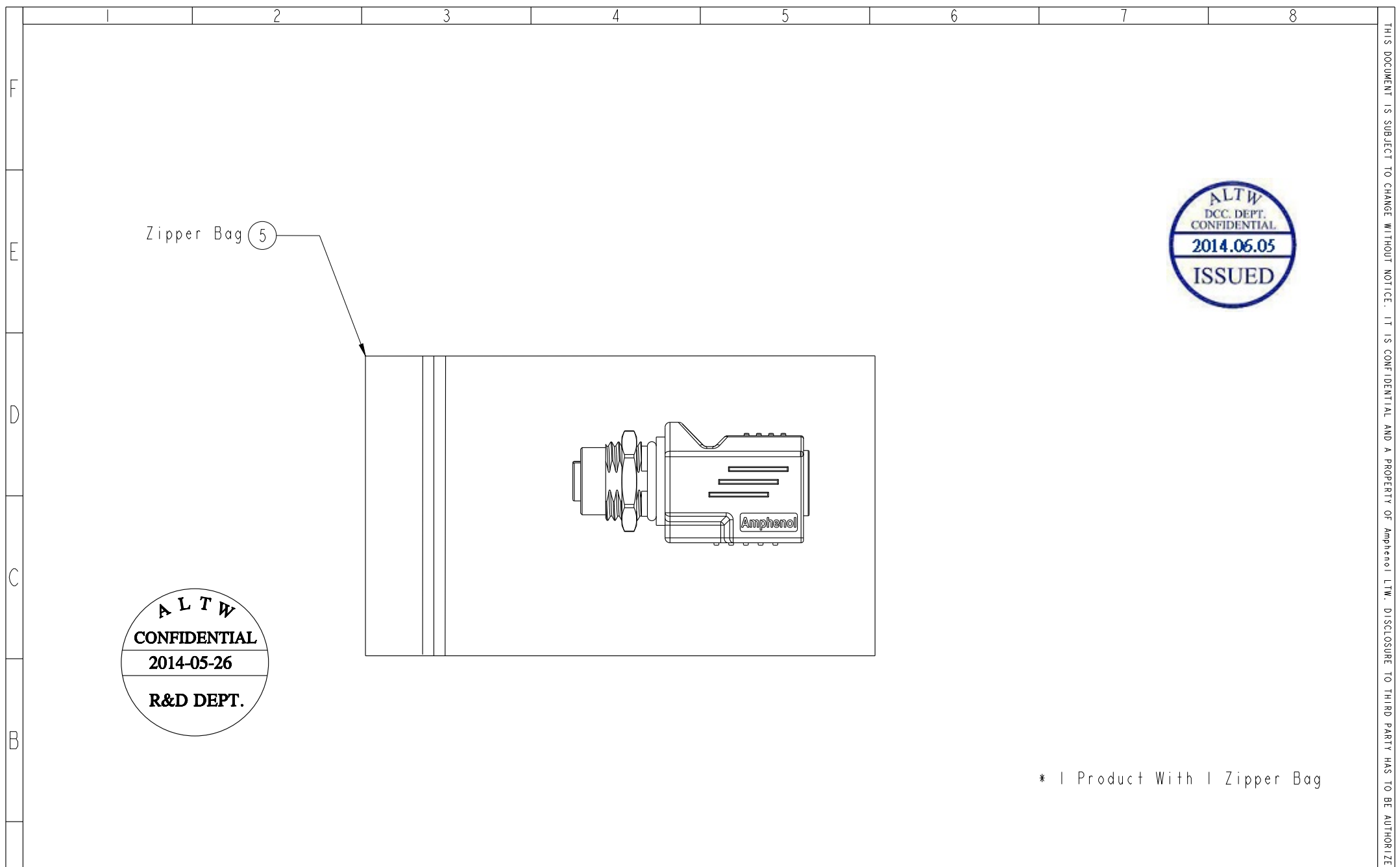
UNIT: mm	\varnothing	∇
TOLERANCE	$\pm 0.5\text{mm}$	

TITLE ADAPTOR, SHIELDED M12 D CODE TO RJ45			
SCALE 1:1	SIZE A4	SHEET 1 OF 2	
REV. C	WC-REV. B.2	\varnothing : Inspection item	

Amphenol LTW
安費諾亮泰企業股份有限公司

ITEM NO. RJS-12D04FF-LS8001	DRAWN BY Tony_leng	DATE 2014-05-26
DWG NO. RJS-12D04FF-LS8001	CHECKED BY Jimmy	DATE 2014-05-26
CUSTOMER ALTW	APPROVED BY Ja-anne	DATE 2014-05-26

THIS DOCUMENT IS SUBJECT TO CHANGE WITHOUT NOTICE. IT IS CONFIDENTIAL AND A PROPERTY OF Amphenol LTW. DISCLOSURE TO THIRD PARTY HAS TO BE AUTHORIZED BY Amphenol LTW.



* 1 Product With 1 Zipper Bag

A	UNIT:mm			TITLE ADAPTOR, SHIELDED M12 D CODE TO RJ45			ITEM NO RJS-12D04FF-LS8001	DRAWN BY Tony_leng	DATE 2014-05-26
	TOLERANCE ±0.5mm			SCALE 1:1	SIZE A4	SHEET 2 OF 2	DWG NO RJS-12D04FF-LS8001	CHECKED BY Jimmy	DATE 2014-05-26
				REV. C	WC-REV. B.2		CUSTOMER ALTW	APPROVED BY Jo-anne	DATE 2014-05-26
								8 FMW10702-01-02A1	

Amphenol LTW
安費諾亮泰企業股份有限公司